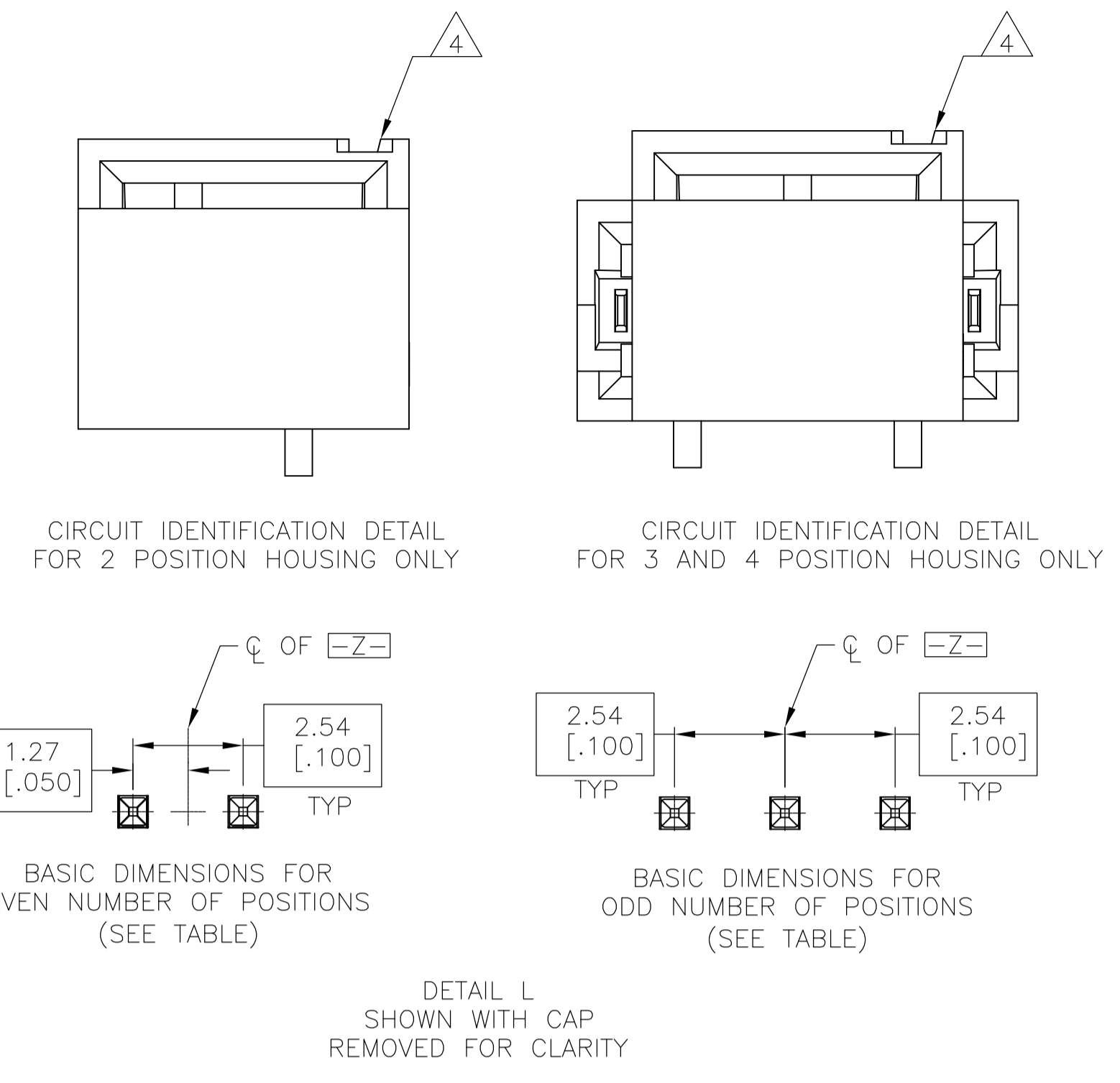
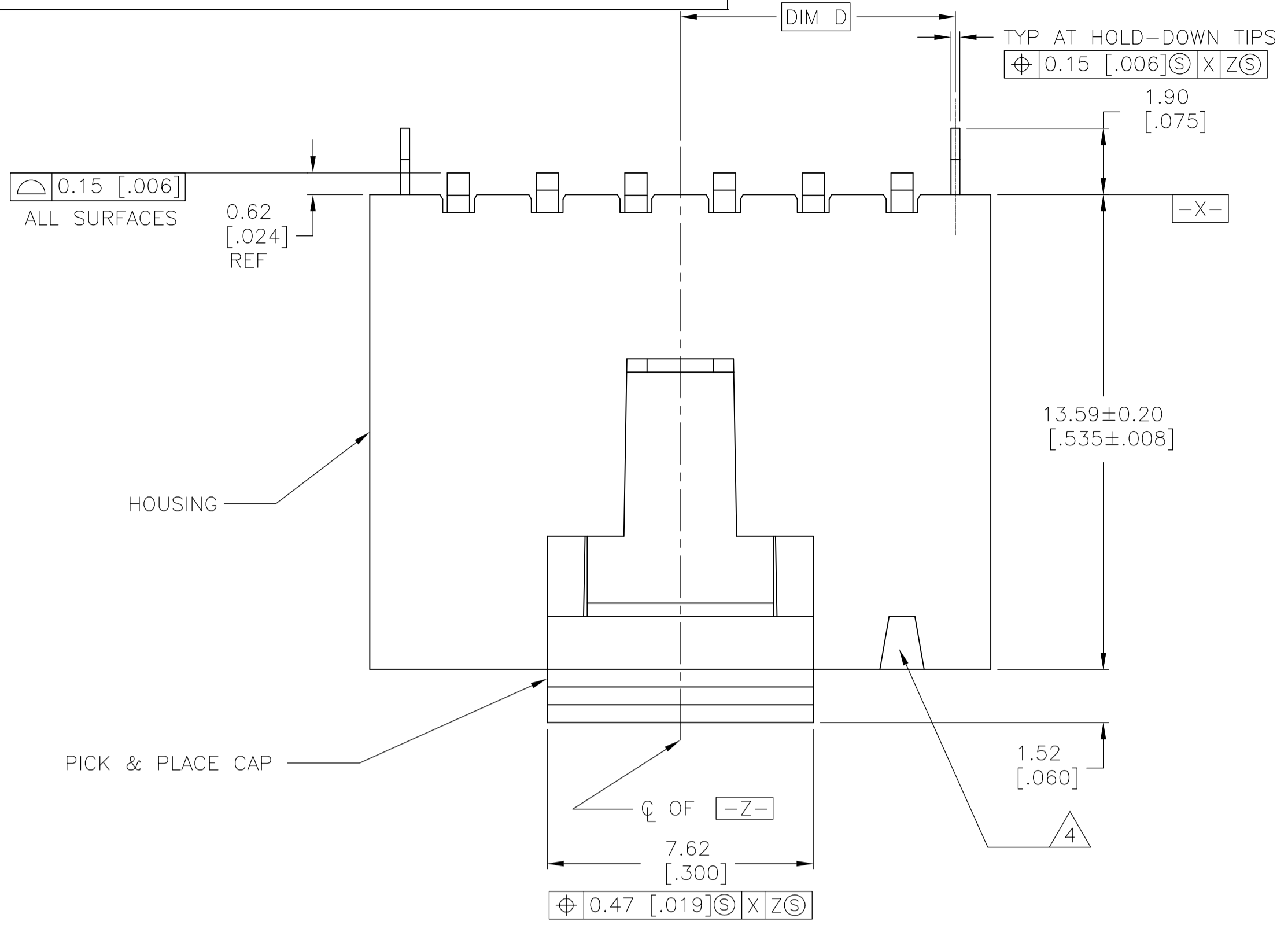
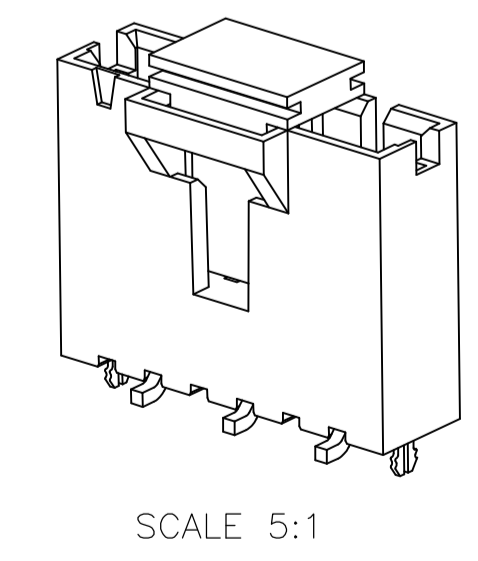
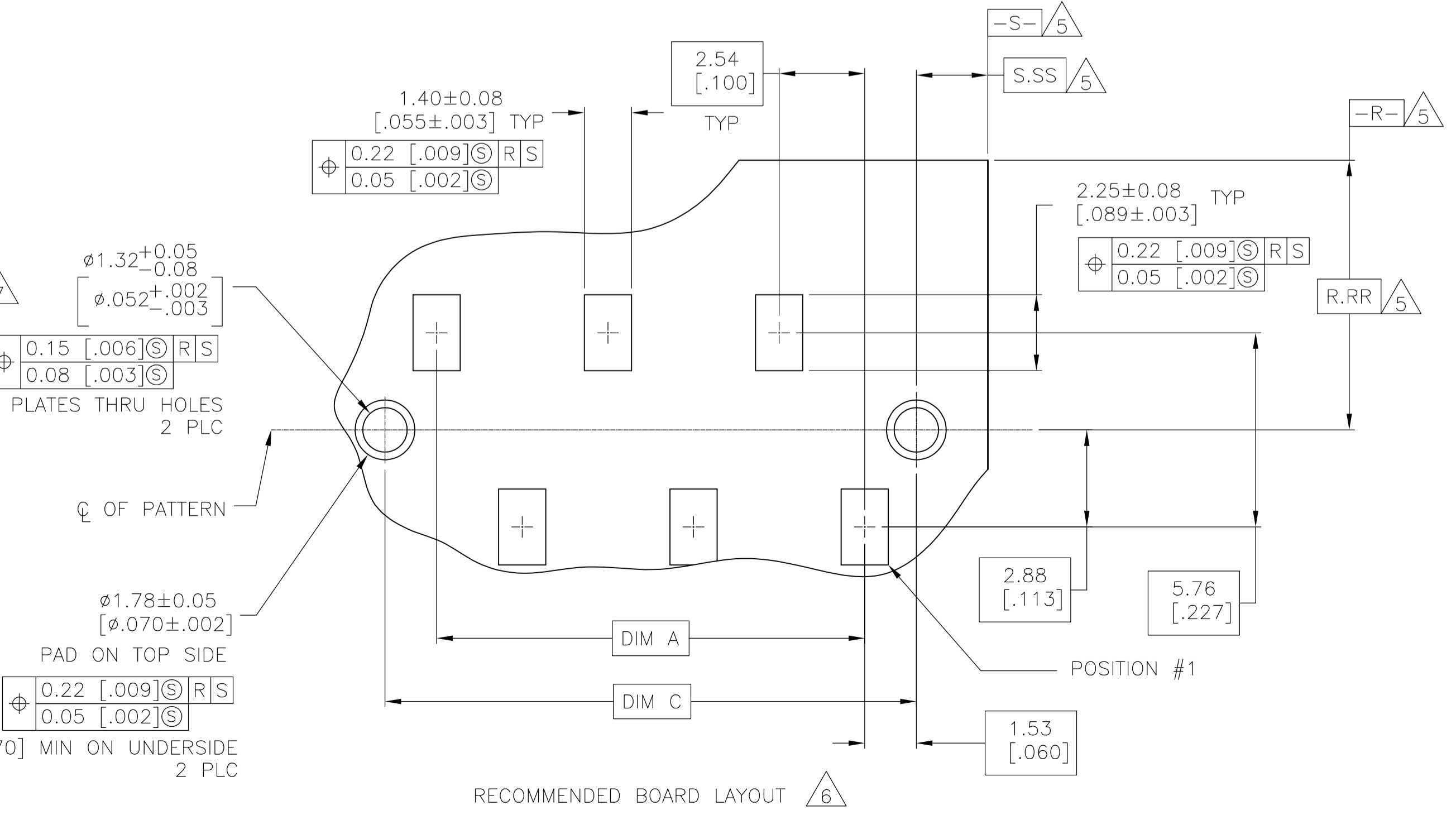
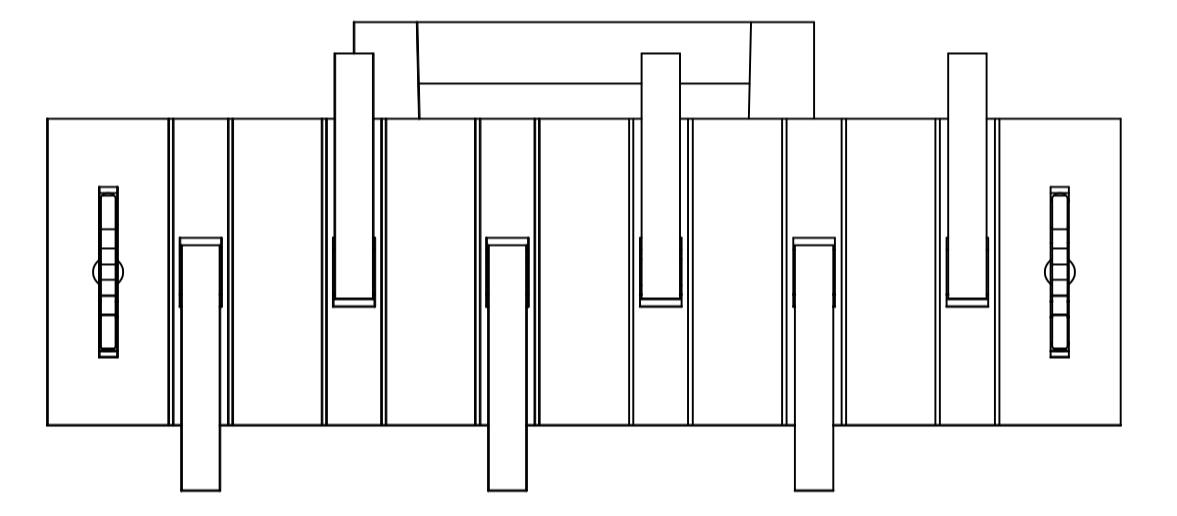
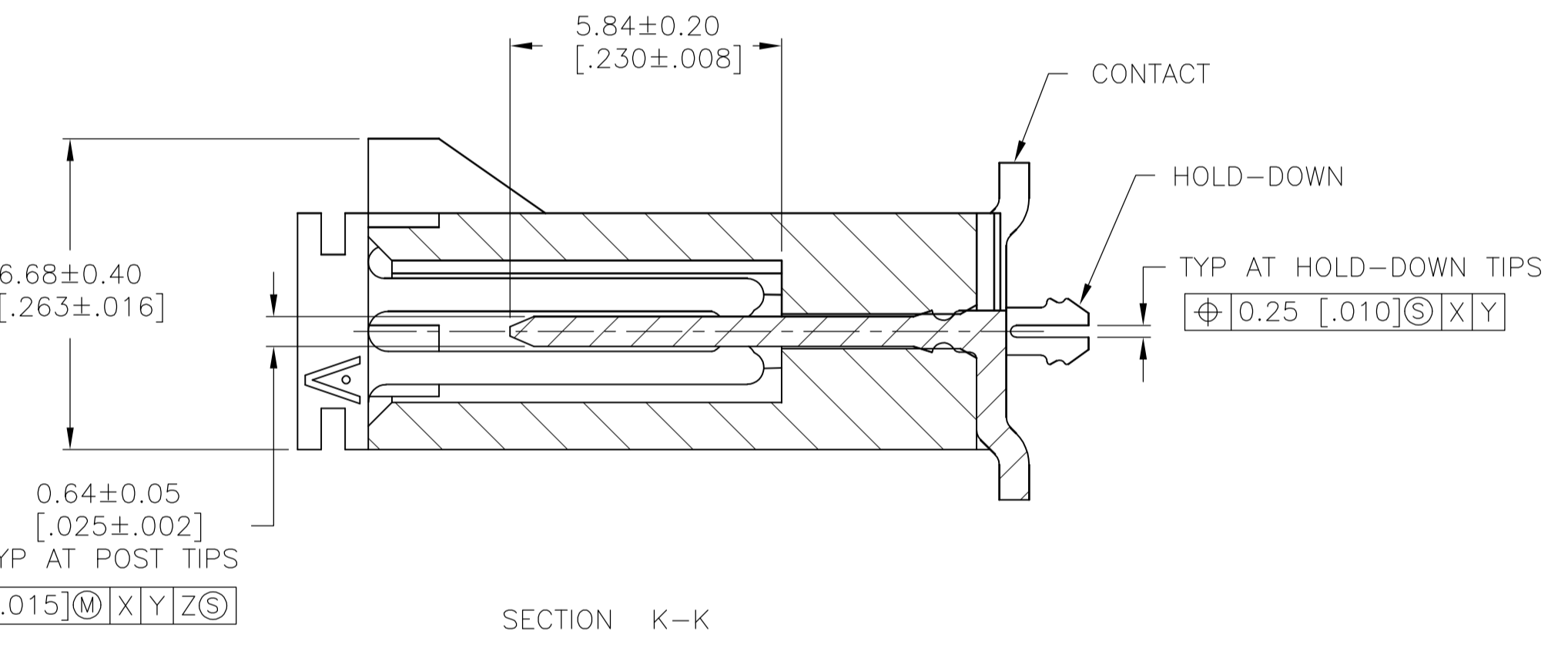
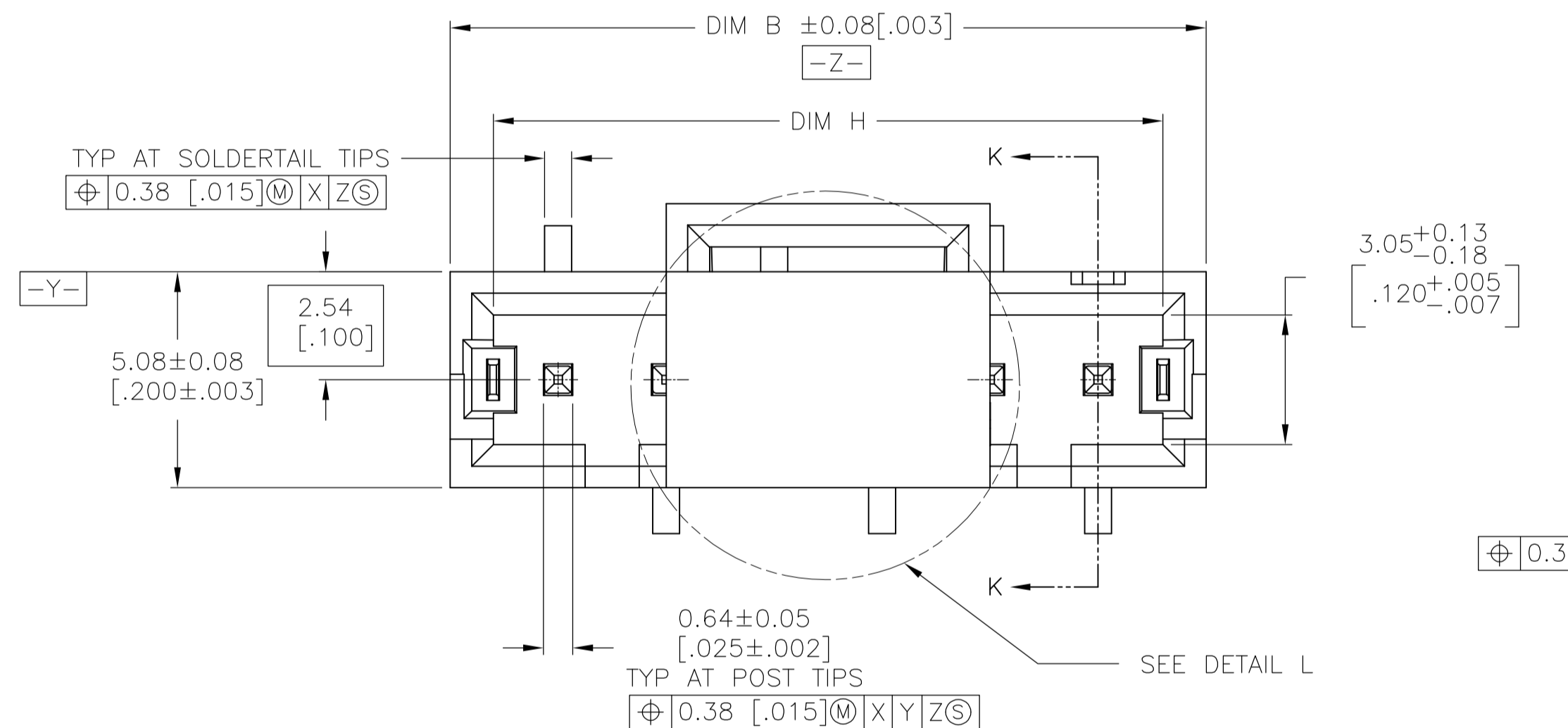


| REVISIONS | | | | |
|-----------|---------------------------|-------------|-----------|----------|
| # | CHR | DESCRIPTION | DATE | OWN APVD |
| D1 | REVISED PER ECO-11-004820 | | 11MAR11 | RK HMR |
| E | REVISED PER ECO-17-002213 | | 24MAY2017 | BDA MM |



- PACKAGE: TAPE AND REEL PER EIA-481 SPECIFICATIONS. SEE TABLE FOR TAPE WIDTHS
- MATERIAL: HOUSING AND PICK & PLACE CAP: HIGH TEMPERATURE LCP, COLOR - BLACK, CONTACTS: BRASS, HOLD-DOWNS: BERYLLIUM COPPER
- FINISH: CONTACTS: 0.000763 [0.000030] GOLD IN CONTACT AREA, 0.00254[0.0001] MATTE TIN-LEAD ON SOLDER TAIL ALL OVER 0.00127[0.00005] NICKEL HOLD-DOWNS: 0.00381[0.00015] MATTE TIN-LEAD OVER 0.00127[0.00005] NICKEL
- CIRCUIT POSITION #1 IDENTIFICATION MARK
- DATUMS AND BASIC DIMENSIONS ARE ESTABLISHED BY CUSTOMER
- RECOMMENDED PC BOARD THICKNESS OF 1.57[0.062]
- USE 1.510 ±0.025[0.0595±0.0010] DRILLED HOLE (#53 DRILL), FINISH TO BE TIN-LEAD OVER 0.02[0.0008] MIN COPPER
- FINISH: CONTACTS: 0.000763 [0.000030] GOLD IN CONTACT AREA, 0.00254[0.0001] MATTE TIN ON SOLDER TAIL ALL OVER 0.00127[0.00005] NICKEL HOLD-DOWNS: 0.00381[0.00015] MATTE TIN OVER 0.00127[0.00005] NICKEL




| | | | | |
|--|--|--------------------------|---|------------------------------|
| THIS DRAWING IS A CONTROLLED DOCUMENT. | | DWN J. MOSER 26OCT99 | TE Connectivity | |
| DIMENSIONS: mm [INCHES] | | CHK L. BRESKOSKY 26OCT99 | APVD K. WRIGHT 27JUN00 NAME AMPMODU MTE SURFACE MOUNT. VERTICAL HEADER ASSEMBLY | |
| TOLERANCES UNLESS OTHERWISE SPECIFIED: | | 0 PLC ± | PRODUCT SPEC 108-25034-2 | RESTRICTED TO |
| 1 PLC ± | | 2 PLC ± ± 0.13 [0.005] | APPLICATION SPEC 114-25026 | SIZE CAGE CODE DRAWING NO |
| 3 PLC ± | | 4 PLC ± | WEIGHT | A1 00779 C=1375583 |
| ANGLES ± ± | | FINISH SEE TABLE | CUSTOMER DRAWING | SCALE 8:1 SHEET 1 OF 2 REV E |

| REVISIONS | | | | | |
|-----------|-------------|-------------|------|----|------|
| P | LTR | DESCRIPTION | DATE | DN | APVD |
| - | SEE SHEET 1 | | - | - | - |

| | | | | | | | | | | | | | | |
|---|----|-------|-------|-------|-------|-------|-------|-------|-------|-------|-------|-------|----|-------------|
| △ | 88 | 3.465 | 64.01 | 2.530 | 32.01 | 1.260 | 64.02 | 2.520 | 65.91 | 2.595 | 60.96 | 2.400 | 25 | 7-1375583-4 |
| △ | 88 | 3.465 | 61.47 | 2.420 | 30.74 | 1.210 | 61.48 | 2.420 | 63.37 | 2.495 | 58.42 | 2.300 | 24 | 7-1375583-3 |
| △ | 88 | 3.465 | 58.93 | 2.320 | 29.47 | 1.160 | 58.94 | 2.320 | 60.83 | 2.395 | 55.88 | 2.200 | 23 | 7-1375583-2 |
| △ | 88 | 3.465 | 56.39 | 2.220 | 28.20 | 1.110 | 56.40 | 2.220 | 58.29 | 2.295 | 53.34 | 2.100 | 22 | 7-1375583-1 |
| △ | 88 | 3.465 | 53.85 | 2.120 | 26.93 | 1.060 | 53.86 | 2.120 | 55.75 | 2.195 | 50.80 | 2.000 | 21 | 7-1375583-0 |
| △ | 72 | 2.835 | 51.31 | 2.020 | 25.66 | 1.010 | 51.32 | 2.020 | 53.21 | 2.095 | 48.26 | 1.900 | 20 | 6-1375583-9 |
| △ | 72 | 2.835 | 48.77 | 1.920 | 24.39 | .960 | 48.78 | 1.920 | 50.67 | 1.995 | 45.72 | 1.800 | 19 | 6-1375583-8 |
| △ | 72 | 2.835 | 46.23 | 1.820 | 23.12 | .910 | 46.24 | 1.820 | 48.13 | 1.895 | 43.18 | 1.700 | 18 | 6-1375583-7 |
| △ | 72 | 2.835 | 43.69 | 1.720 | 21.85 | .860 | 43.70 | 1.720 | 45.59 | 1.795 | 40.64 | 1.600 | 17 | 6-1375583-6 |
| △ | 72 | 2.835 | 41.15 | 1.620 | 20.58 | .810 | 41.16 | 1.620 | 43.05 | 1.695 | 38.10 | 1.500 | 16 | 6-1375583-5 |
| △ | 56 | 2.205 | 38.61 | 1.520 | 19.31 | .760 | 38.62 | 1.520 | 40.51 | 1.595 | 35.56 | 1.400 | 15 | 6-1375583-4 |
| △ | 56 | 2.205 | 36.07 | 1.420 | 18.04 | .710 | 36.08 | 1.420 | 37.97 | 1.495 | 33.02 | 1.300 | 14 | 6-1375583-3 |
| △ | 56 | 2.205 | 33.53 | 1.320 | 16.77 | .660 | 33.54 | 1.320 | 35.43 | 1.395 | 30.48 | 1.200 | 13 | 6-1375583-2 |
| △ | 56 | 2.205 | 30.99 | 1.220 | 15.50 | .610 | 31.00 | 1.220 | 32.89 | 1.295 | 27.94 | 1.100 | 12 | 6-1375583-1 |
| △ | 56 | 2.205 | 28.45 | 1.120 | 14.23 | .560 | 28.46 | 1.120 | 30.35 | 1.195 | 25.40 | 1.000 | 11 | 6-1375583-0 |
| △ | 56 | 2.205 | 25.91 | 1.020 | 12.96 | .510 | 25.92 | 1.020 | 27.81 | 1.095 | 22.86 | .900 | 10 | 5-1375583-9 |
| △ | 44 | 1.732 | 23.37 | .920 | 11.69 | .460 | 23.38 | .920 | 25.27 | .995 | 20.32 | .800 | 9 | 5-1375583-8 |
| △ | 44 | 1.732 | 20.83 | .820 | 10.42 | .410 | 20.84 | .820 | 22.73 | .895 | 17.78 | .700 | 8 | 5-1375583-7 |
| △ | 44 | 1.732 | 18.29 | .720 | 9.15 | .360 | 18.30 | .720 | 20.19 | .795 | 15.24 | .600 | 7 | 5-1375583-6 |
| △ | 32 | 1.260 | 15.75 | .620 | 7.88 | .310 | 15.76 | .620 | 17.65 | .695 | 12.70 | .500 | 6 | 5-1375583-5 |
| △ | 32 | 1.260 | 13.21 | .520 | 6.61 | .260 | 13.22 | .520 | 15.11 | .595 | 10.16 | .400 | 5 | 5-1375583-4 |
| △ | 32 | 1.260 | 10.67 | .420 | 5.34 | .210 | 10.68 | .420 | 12.57 | .495 | 7.62 | .300 | 4 | 5-1375583-3 |
| △ | 32 | 1.260 | 8.13 | .320 | 4.07 | .160 | 8.14 | .320 | 10.03 | .395 | 5.08 | .200 | 3 | 5-1375583-2 |
| △ | 24 | .945 | 5.59 | .220 | 2.80 | .110 | 5.60 | .220 | 7.49 | .295 | 2.54 | .100 | 2 | 5-1375583-1 |
| △ | 88 | 3.465 | 64.01 | 2.530 | 32.01 | 1.260 | 64.02 | 2.520 | 65.91 | 2.595 | 60.96 | 2.400 | 25 | 2-1375583-4 |
| △ | 88 | 3.465 | 61.47 | 2.420 | 30.74 | 1.210 | 61.48 | 2.420 | 63.37 | 2.495 | 58.42 | 2.300 | 24 | 2-1375583-3 |
| △ | 88 | 3.465 | 58.93 | 2.320 | 29.47 | 1.160 | 58.94 | 2.320 | 60.83 | 2.395 | 55.88 | 2.200 | 23 | 2-1375583-2 |
| △ | 88 | 3.465 | 56.39 | 2.220 | 28.20 | 1.110 | 56.40 | 2.220 | 58.29 | 2.295 | 53.34 | 2.100 | 22 | 2-1375583-1 |
| △ | 88 | 3.465 | 53.85 | 2.120 | 26.93 | 1.060 | 53.86 | 2.120 | 55.75 | 2.195 | 50.80 | 2.000 | 21 | 2-1375583-0 |
| △ | 72 | 2.835 | 51.31 | 2.020 | 25.66 | 1.010 | 51.32 | 2.020 | 53.21 | 2.095 | 48.26 | 1.900 | 20 | 1-1375583-9 |
| △ | 72 | 2.835 | 48.77 | 1.920 | 24.39 | .960 | 48.78 | 1.920 | 50.67 | 1.995 | 45.72 | 1.800 | 19 | 1-1375583-8 |
| △ | 72 | 2.835 | 46.23 | 1.820 | 23.12 | .910 | 46.24 | 1.820 | 48.13 | 1.895 | 43.18 | 1.700 | 18 | 1-1375583-7 |
| △ | 72 | 2.835 | 43.69 | 1.720 | 21.85 | .860 | 43.70 | 1.720 | 45.59 | 1.795 | 40.64 | 1.600 | 17 | 1-1375583-6 |
| △ | 72 | 2.835 | 41.15 | 1.620 | 20.58 | .810 | 41.16 | 1.620 | 43.05 | 1.695 | 38.10 | 1.500 | 16 | 1-1375583-5 |
| △ | 56 | 2.205 | 38.61 | 1.520 | 19.31 | .760 | 38.62 | 1.520 | 40.51 | 1.595 | 35.56 | 1.400 | 15 | 1-1375583-4 |
| △ | 56 | 2.205 | 36.07 | 1.420 | 18.04 | .710 | 36.08 | 1.420 | 37.97 | 1.495 | 33.02 | 1.300 | 14 | 1-1375583-3 |
| △ | 56 | 2.205 | 33.53 | 1.320 | 16.77 | .660 | 33.54 | 1.320 | 35.43 | 1.395 | 30.48 | 1.200 | 13 | 1-1375583-2 |
| △ | 56 | 2.205 | 30.99 | 1.220 | 15.50 | .610 | 31.00 | 1.220 | 32.89 | 1.295 | 27.94 | 1.100 | 12 | 1-1375583-1 |
| △ | 56 | 2.205 | 28.45 | 1.120 | 14.23 | .560 | 28.46 | 1.120 | 30.35 | 1.195 | 25.40 | 1.000 | 11 | 1-1375583-0 |
| △ | 56 | 2.205 | 25.91 | 1.020 | 12.96 | .510 | 25.92 | 1.020 | 27.81 | 1.095 | 22.86 | .900 | 10 | 1375583-9 |
| △ | 44 | 1.732 | 23.37 | .920 | 11.69 | .460 | 23.38 | .920 | 25.27 | .995 | 20.32 | .800 | 9 | 1375583-8 |
| △ | 44 | 1.732 | 20.83 | .820 | 10.42 | .410 | 20.84 | .820 | 22.73 | .895 | 17.78 | .700 | 8 | 1375583-7 |
| △ | 44 | 1.732 | 18.29 | .720 | 9.15 | .360 | 18.30 | .720 | 20.19 | .795 | 15.24 | .600 | 7 | 1375583-6 |
| △ | 32 | 1.260 | 15.75 | .620 | 7.88 | .310 | 15.76 | .620 | 17.65 | .695 | 12.70 | .500 | 6 | 1375583-5 |
| △ | 32 | 1.260 | 13.21 | .520 | 6.61 | .260 | 13.22 | .520 | 15.11 | .595 | 10.16 | .400 | 5 | 1375583-4 |
| △ | 32 | 1.260 | 10.67 | .420 | 5.34 | .210 | 10.68 | .420 | 12.57 | .495 | 7.62 | .300 | 4 | 1375583-3 |
| △ | 32 | 1.260 | 8.13 | .320 | 4.07 | .160 | 8.14 | .320 | 10.03 | .395 | 5.08 | .200 | 3 | 1375583-2 |
| △ | 24 | .945 | 5.59 | .220 | 2.80 | .110 | 5.60 | .220 | 7.49 | .295 | 2.54 | .100 | 2 | 1375583-1 |

| PLATING | TAPE WIDTH | H | D | C | B | A | NO OF POSN | PART NUMBER |
|---------|------------|---|---|---|---|---|------------|-------------|
| | | | | | | | | |

| | | | | |
|--|--|------------------------------|---|--|
| THIS DRAWING IS A CONTROLLED DOCUMENT. | | DIN J. MOSER 260CT99 |  TE Connectivity | |
| DIMENSIONS: mm [INCHES] | | CJK L. BRESKOSKY 260CT99 | | |
| TOLERANCES UNLESS OTHERWISE SPECIFIED: | | APVD K. WRIGHT 27JUN00 | NAME | |
| 0. PLC ± - | | PRODUCT SPEC | | |
| 1. PLC ± - | | 108-25034-2 | | |
| 2. PLC ± 0.13 [005] | | APPLICATION SPEC | | |
| 3. PLC ± - | | 114-25026 | | |
| 4. PLC ± - | | SIZE CASE CODE DRAWING NO | | |
| ANGLES ± - | | A1 00779 C=1375583 | | |
| MATERIAL | | WEIGHT | | |
| FINISH SEE TABLE | | CUSTOMER DRAWING | | |
| | | SCALE 8:1 SHEET 2 OF 2 REV E | | |

X-ON Electronics

Largest Supplier of Electrical and Electronic Components

Click to view similar products for [Headers & Wire Housings](#) category:

Click to view products by [TE Connectivity](#) manufacturer:

Other Similar products are found below :

[95000-104TRLF](#) [10135584-644402LF](#) [DF62W-EP2022PCA](#) [95000-106TRLF](#) [DF62W-2022SCA](#) [DF62W-EP2022PC](#) [2203348](#) [DF62W-2022SC](#) [1084018](#) [1029039](#) [1084017](#) [802-10-012-10-002000](#) [1112640](#) [1112639](#) [000-34000](#) [0009482033](#) [0009507031](#) [57102-S06-03LF](#) [57202-S52-04LF](#) [PCN6-15S-2.5E](#) [0039019024](#) [58102-G61-06LF](#) [582553-1](#) [0009485154](#) [0009508121](#) [0022285053](#) [0050291907](#) [018731A](#) [LY20-4P-DT1-P1E-BR](#) [02.125.8002.8](#) [60101931](#) [60598-1 \(Cut Strip\)](#) [M1625-3R/100](#) [61062-3](#) [61082-181009](#) [636-1427](#) [638009-1](#) [641938-9](#) [641991-4](#) [644168-1](#) [647662-1](#) [65039-019ELF](#) [65817-002LF](#) [65817-015LF](#) [65863-015LF](#) [66207-023LF](#) [67016-026LF](#) [67046-001LF](#) [67095-007LF](#) [67230-005LF](#)