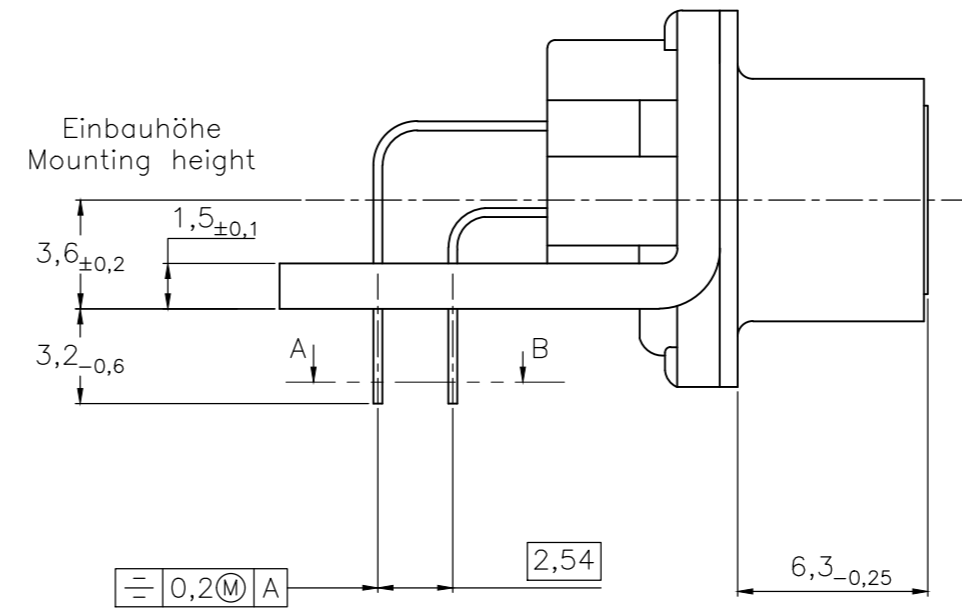
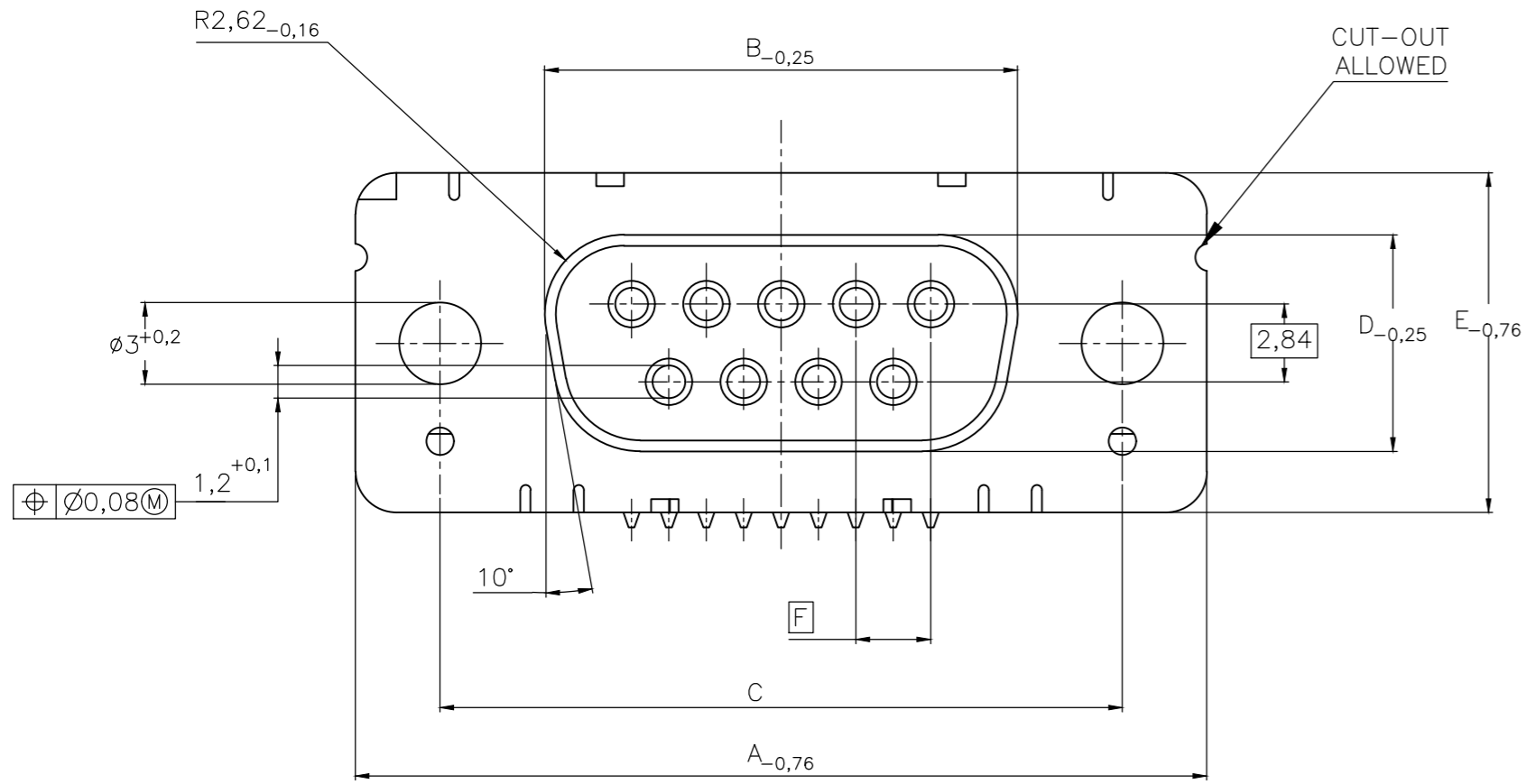


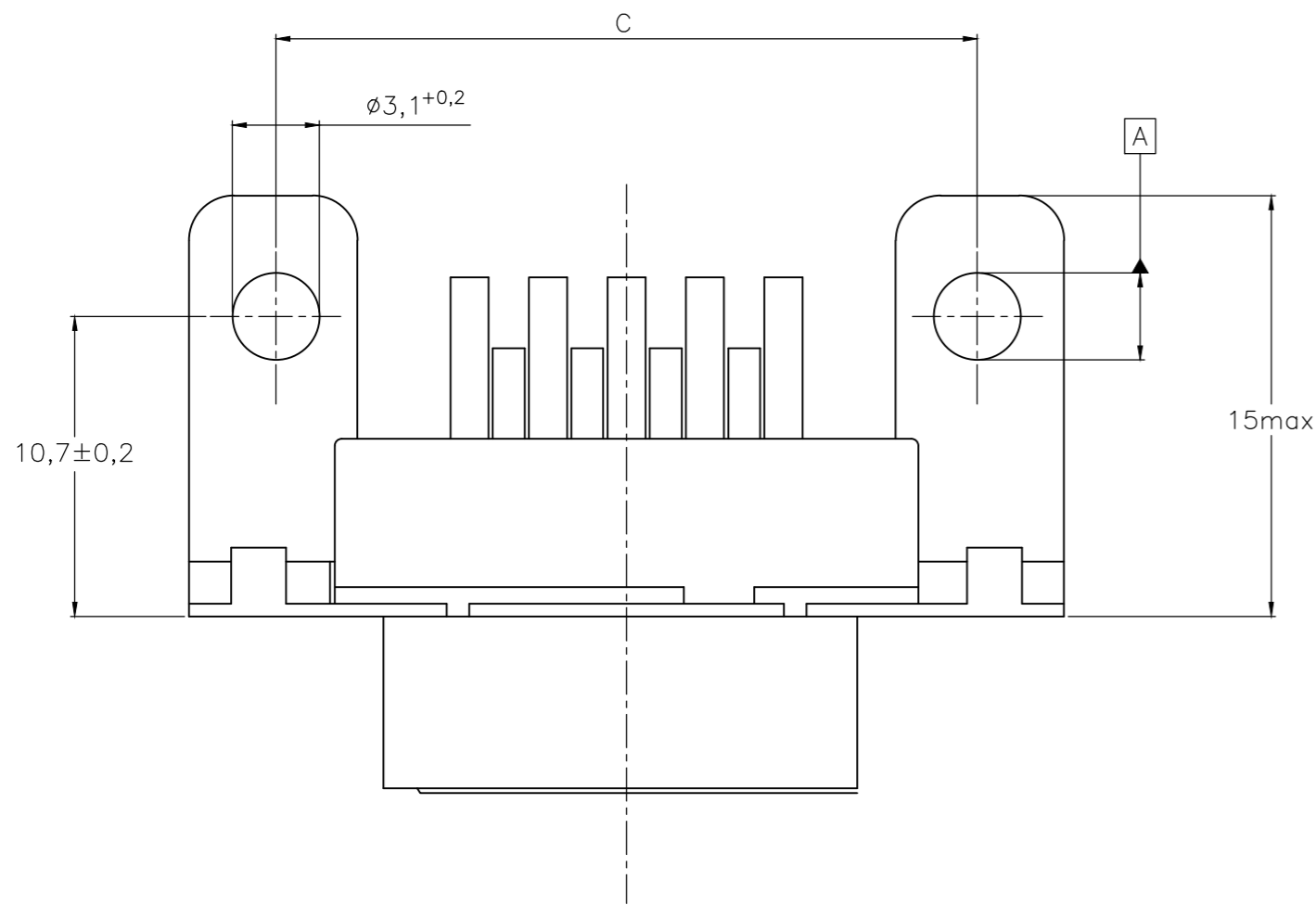
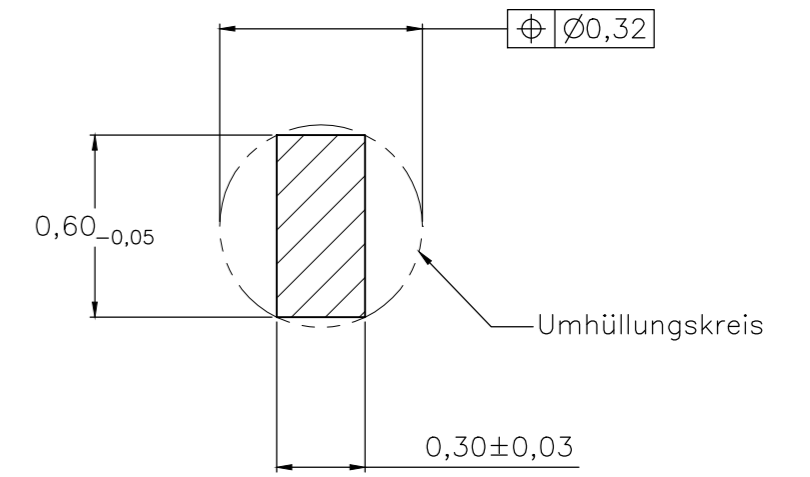
THIS DRAWING IS UNPUBLISHED. RELEASED FOR PUBLICATION
 © COPYRIGHT - By - ALL RIGHTS RESERVED.

REVISIONS					
P	LTR	DESCRIPTION	DATE	DWN	APVD
	H	REVISED PER ECO-17-017772	25MAY2018	AP	DG

Standardausführung: V23529-Bx121-Bxxx-+
 Standardversion



Schnitt AB des Lötanschlusses
 Cross-section AB of solderpin
 (20:1)



Ordercode Sachnr	Contacts Polzahl	Mass/Dimension					
		A	B	C	D	E	F
..-Bx09-+	09	31,19	16,46	25,0 $\begin{smallmatrix} +0,12 \\ -0,13 \end{smallmatrix}$	8,02	12,93	2,74
..-Bx15-+	15	39,52	24,79	33,3 $\begin{smallmatrix} +0,15 \\ -0,1 \end{smallmatrix}$			2,74
..-Bx25-+	25	53,42	38,5	47,04 $\begin{smallmatrix} +0,13 \\ -0,13 \end{smallmatrix}$			2,76
..-Bx37-+	37	69,7	54,96	63,5 $\begin{smallmatrix} +0,13 \\ -0,13 \end{smallmatrix}$			2,76

Anforderungsstufe/Performance level ¹⁾

1) nach DIN 41652T.2 und T.4
 according to DIN 41652 T.2 AND T.4

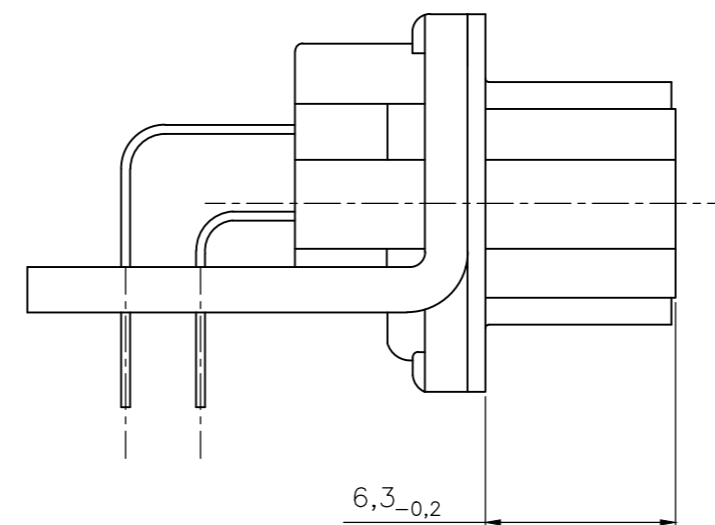
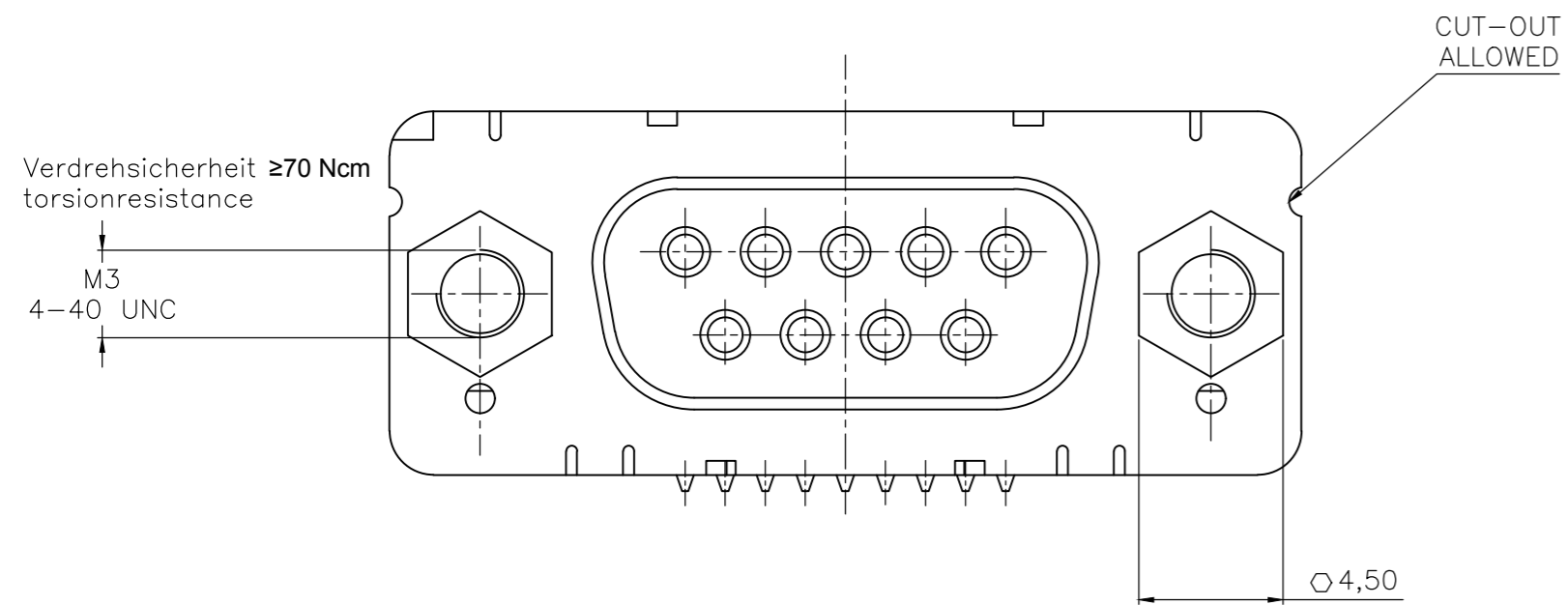
OLD PN: V23529-B****-B***-*-7427

THIS DRAWING IS A CONTROLLED DOCUMENT.		DWN GNANI JADAV A E	07JAN10	STE TE Connectivity	
DIMENSIONS: mm		CHK K. MALCZYK	APVD K. MALCZYK		
TOLERANCES UNLESS OTHERWISE SPECIFIED:		PRODUCT SPEC		NAME	
0 PLC ± -		APPLICATION SPEC		Buchsenleiste ¹⁾	
1 PLC ± -		WEIGHT 0		Einbauhöhe 3,6 mm (Variante 1)	
2 PLC ± -		SCALE 2:1		Socketconnector-90° solderversion (Type1) ¹⁾	
3 PLC ± -		SHEET 1 of 6		RESTRICTED TO	
4 PLC ± -		REV H		SIZE CAGE CODE DRAWING NO	
ANGLES ± -		CUSTOMER DRAWING		A2 00779 C=1-1393480-7	
FINISH		SCALE 2:1		SHEET 1 of 6	
MATERIAL		SCALE 2:1		REV H	

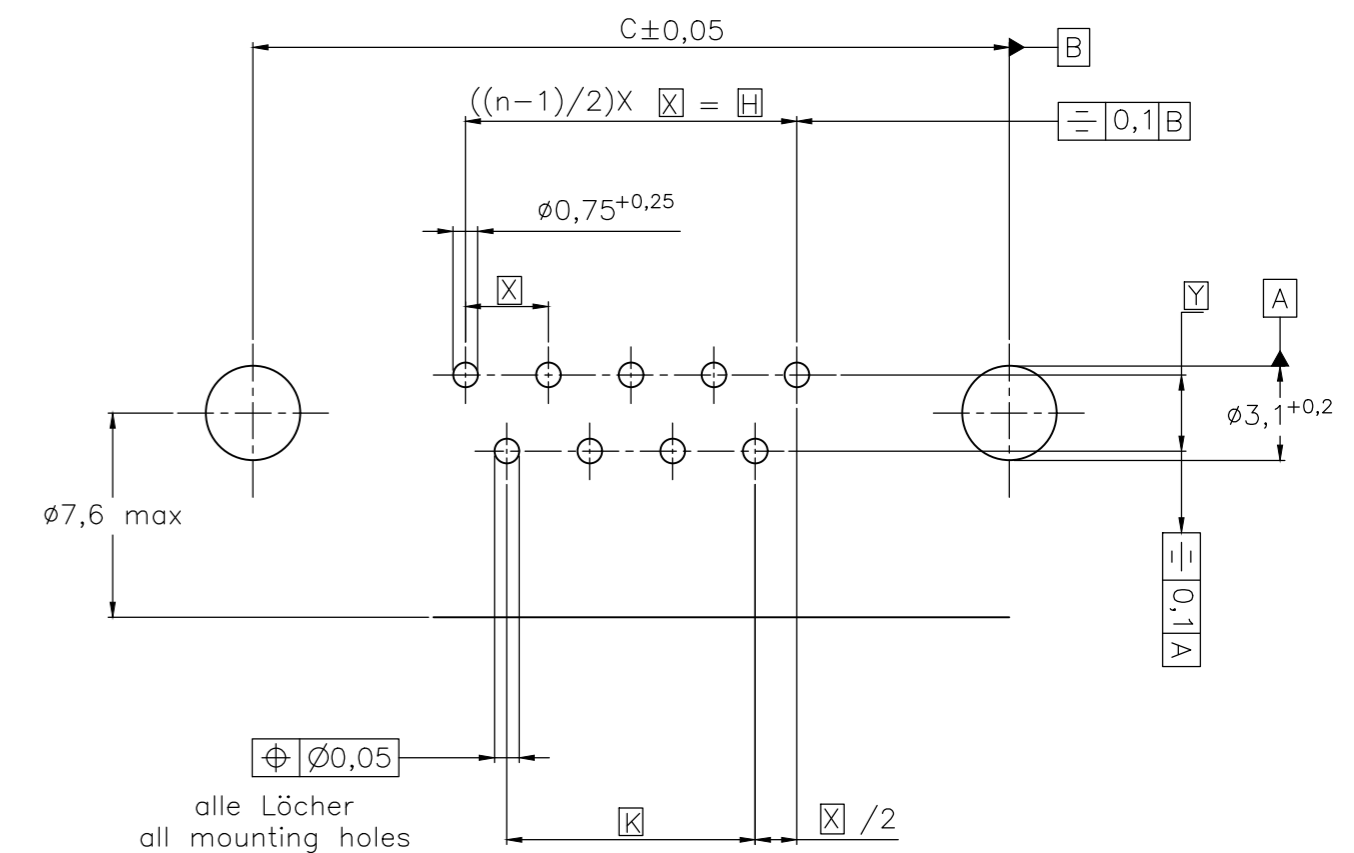
THIS DRAWING IS UNPUBLISHED. RELEASED FOR PUBLICATION
 © COPYRIGHT - By - ALL RIGHTS RESERVED.

REVISIONS				
P	LTR	DESCRIPTION	DATE	APVD
-	-	SEE SHEET 1	-	-

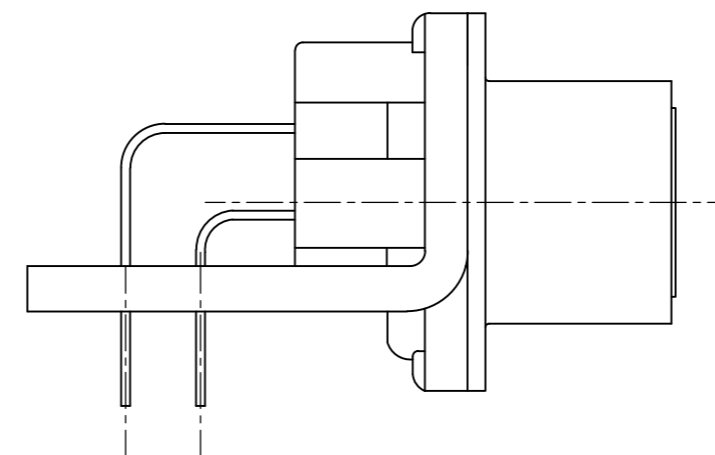
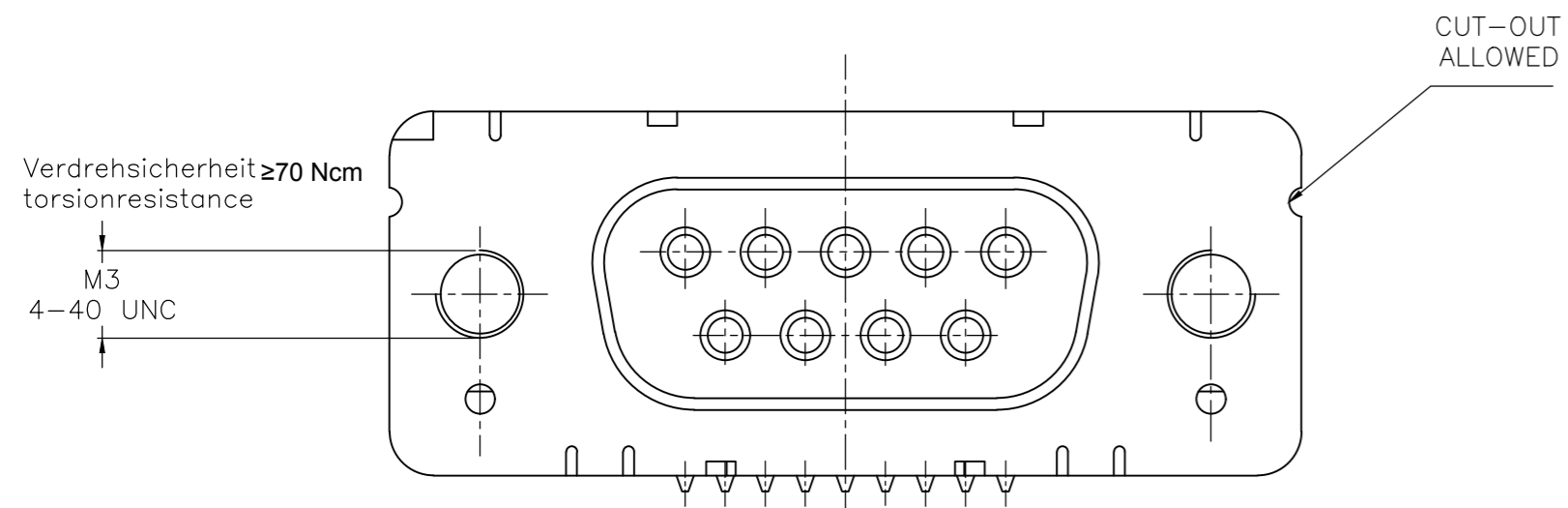
mit Gewindebolzen: M3 V23529-Bxx24-Bxxx-+
 with threadlock 4-40 UNC V23529-Bxx25-Bxxx-+



Leiterplattenbohrung
PCB hole pattern



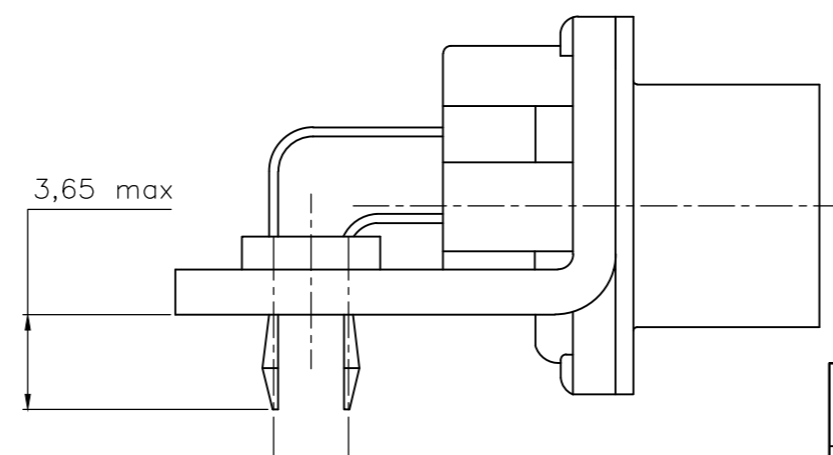
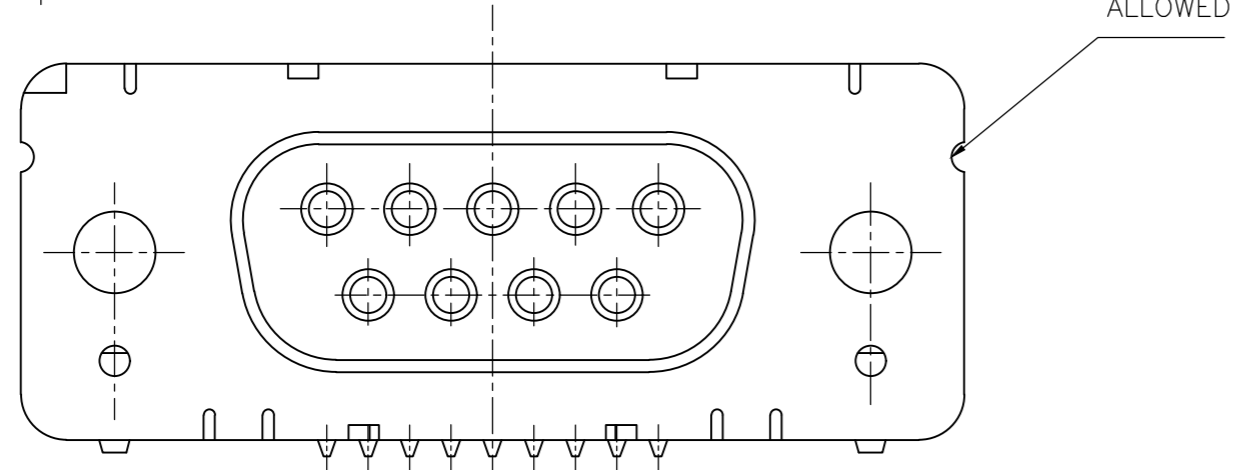
mit Gewinde : M3 V23529-Bxx22-Bxxx-+
 with thread 4-40 UNC V23529-Bxx23-Bxxx-+



Mass Dimension	Polzahl n Number of contacts n			
	9	15	25	37
C	25	33,3	47,04	63,5
H	10,96	19,18	33,12	49,68
K	8,22	16,44	30,36	46,92
X	2,74	2,74	2,76	2,76
Y	2,54			

1) nach DIN 41652.T.2 und T.4
 according to DIN 41652 T.2 AND T.4

mit clipbefestigung V23529-Bx22x-Bxxx-+
 with snap-in



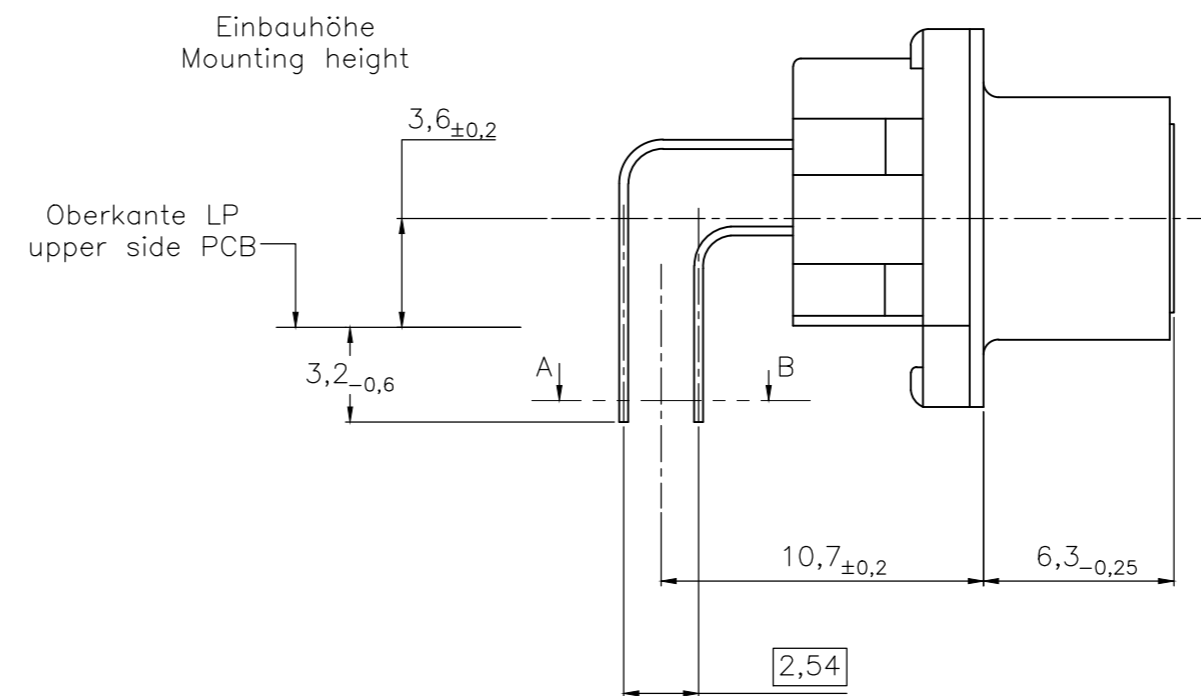
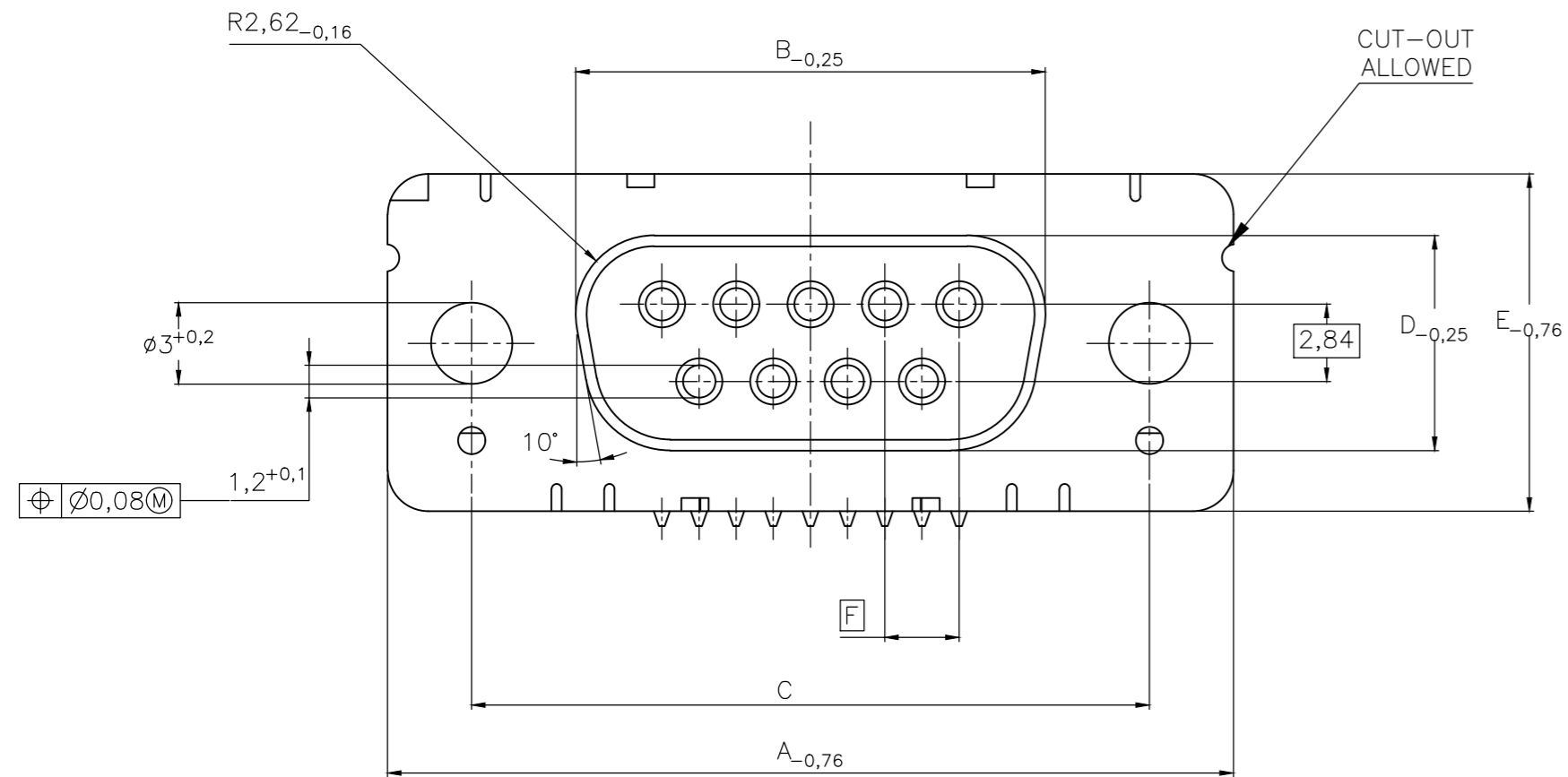
LP-Dicke 1,6±0,13mm, Loch $\varnothing 3,1^{+0,2}$
 PC-board-thickness 1,6±0,13mm, Hole $\varnothing 3,1^{+0,2}$

OLD PN: V23529-B*****-B***-*-7427

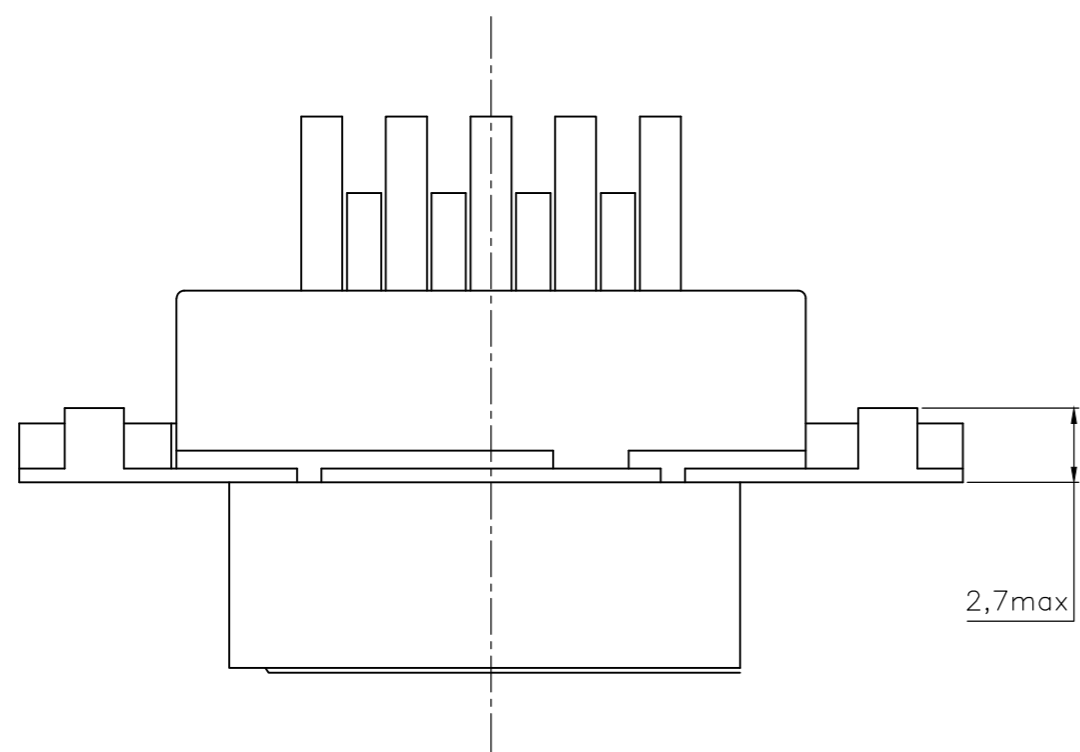
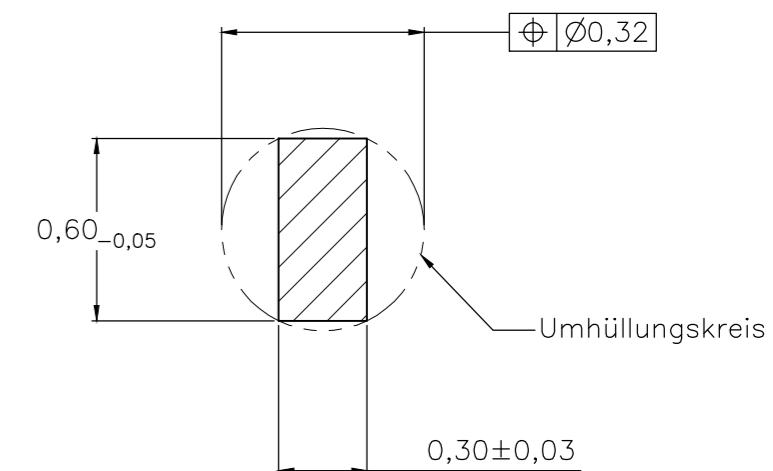
THIS DRAWING IS A CONTROLLED DOCUMENT.		DWN GNANI JADAV A E	07JAN10		
DIMENSIONS: mm		CHK K. MALCZYK	NAME		
TOLERANCES UNLESS OTHERWISE SPECIFIED:		APVD K. MALCZYK	PRODUCT SPEC		Buchsenleiste 1) Einbauhöhe 3,6 mm (Variante 1) Socketconnector-90° solderversion (Type1)1)
0 PLC ± - 1 PLC ± - 2 PLC ± - 3 PLC ± - 4 PLC ± - ANGLES ± -		APPLICATION SPEC		RESTRICTED TO	
MATERIAL		FINISH	WEIGHT	SCALE	SIZE
-		-	-	2:1	A2
CUSTOMER DRAWING			CAGE CODE	DRAWING NO	REV
-			00779	C=1-1393480-7	H
-			SHEET	2 of 6	

REVISIONS					
P	LTR	DESCRIPTION	DATE	DWN	APVD
-	-	SEE SHEET 1	-	-	-

Standardausführung ohne Winkel: V23529-B50x1-Bxxx-+
 Standardversion without bracket



Schnitt AB des Lötanschlusses
 Cross-section AB of solderpin
 (20:1)



Ordercode Sachnr	Contacts Polzahl	Mass/Dimension					
		A	B	C	D	E	F
..-Bx09-+	09	31,19	16,46	25,0 $^{+0,12}_{-0,13}$	8,02	12,93	2,74
..-Bx15-+	15	39,52	24,79	33,3 $^{+0,15}_{-0,1}$			2,74
..-Bx25-+	25	53,42	38,5	47,04 $^{+0,13}_{-0,13}$			2,76
..-Bx37-+	37	69,7	54,96	63,5 $^{+0,13}_{-0,13}$			2,76

Anforderungsstufe/Performance level ¹⁾

1) nach DIN 41652 T.2 und T.4
 according to DIN 41652 T.2 AND T.4

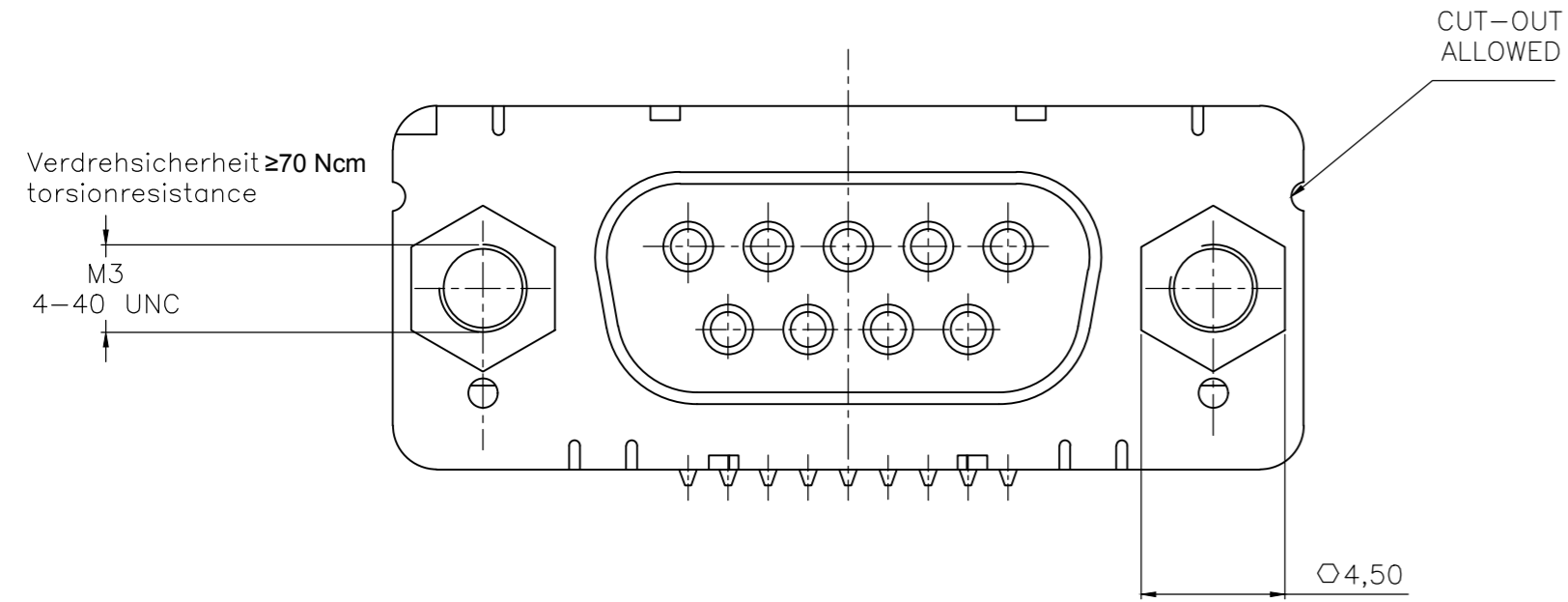
OLD PN: V23529-B****-B***-*-7427

THIS DRAWING IS A CONTROLLED DOCUMENT.		DWN GNANI JADAV A E	07JAN10	TE TE Connectivity	
DIMENSIONS: mm		CHK K. MALCZYK	APVD K. MALCZYK		
TOLERANCES UNLESS OTHERWISE SPECIFIED:		PRODUCT SPEC		NAME Buchsenleiste ¹⁾ Einbauhöhe 3,6 mm (Variante 1) Socketconnector-90° solderversion (Type1) ¹⁾	
0 PLC ± - 1 PLC ± - 2 PLC ± - 3 PLC ± - 4 PLC ± - ANGLES ± -		APPLICATION SPEC		SIZE A2	CAGE CODE 00779
MATERIAL		WEIGHT		DRAWING NO 1-1393480-7	
FINISH		CUSTOMER DRAWING		SCALE 2:1	SHEET 3 of 6
				RESTRICTED TO	REV H

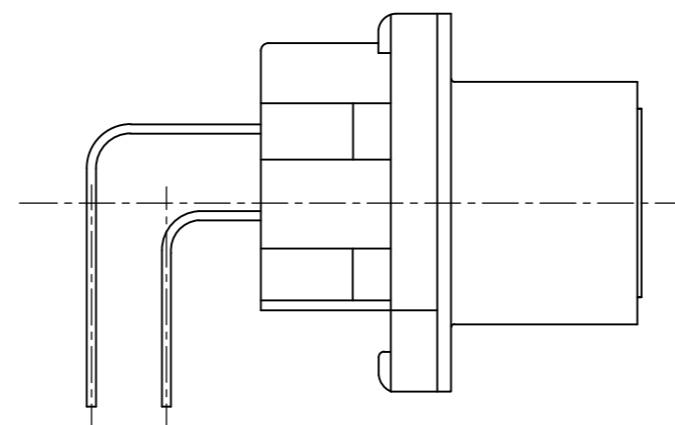
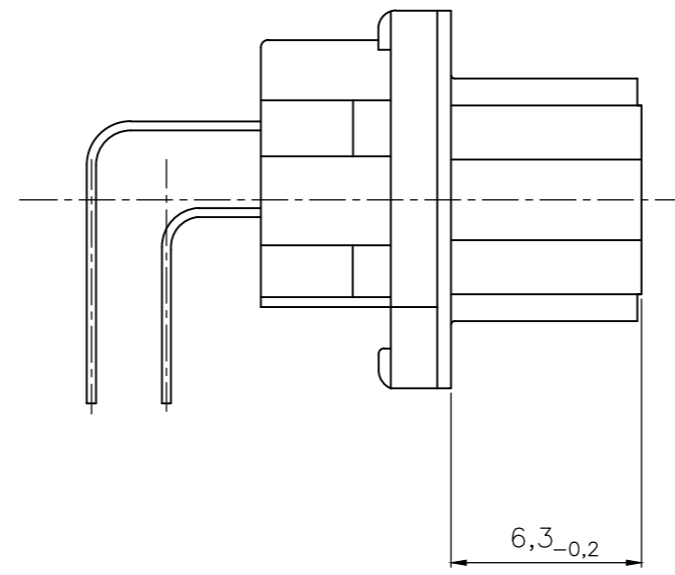
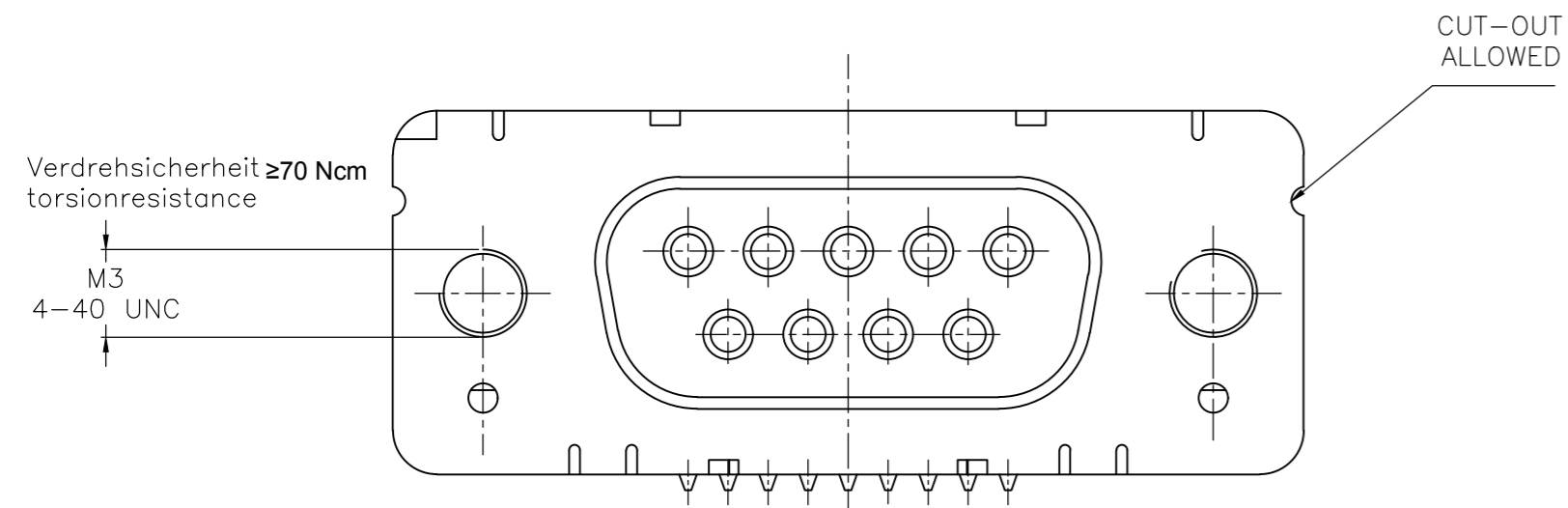
THIS DRAWING IS UNPUBLISHED. RELEASED FOR PUBLICATION
 © COPYRIGHT - By - ALL RIGHTS RESERVED.

REVISIONS					
P	LTR	DESCRIPTION	DATE	DWN	APVD
-	-	SEE SHEET 1	-	-	-

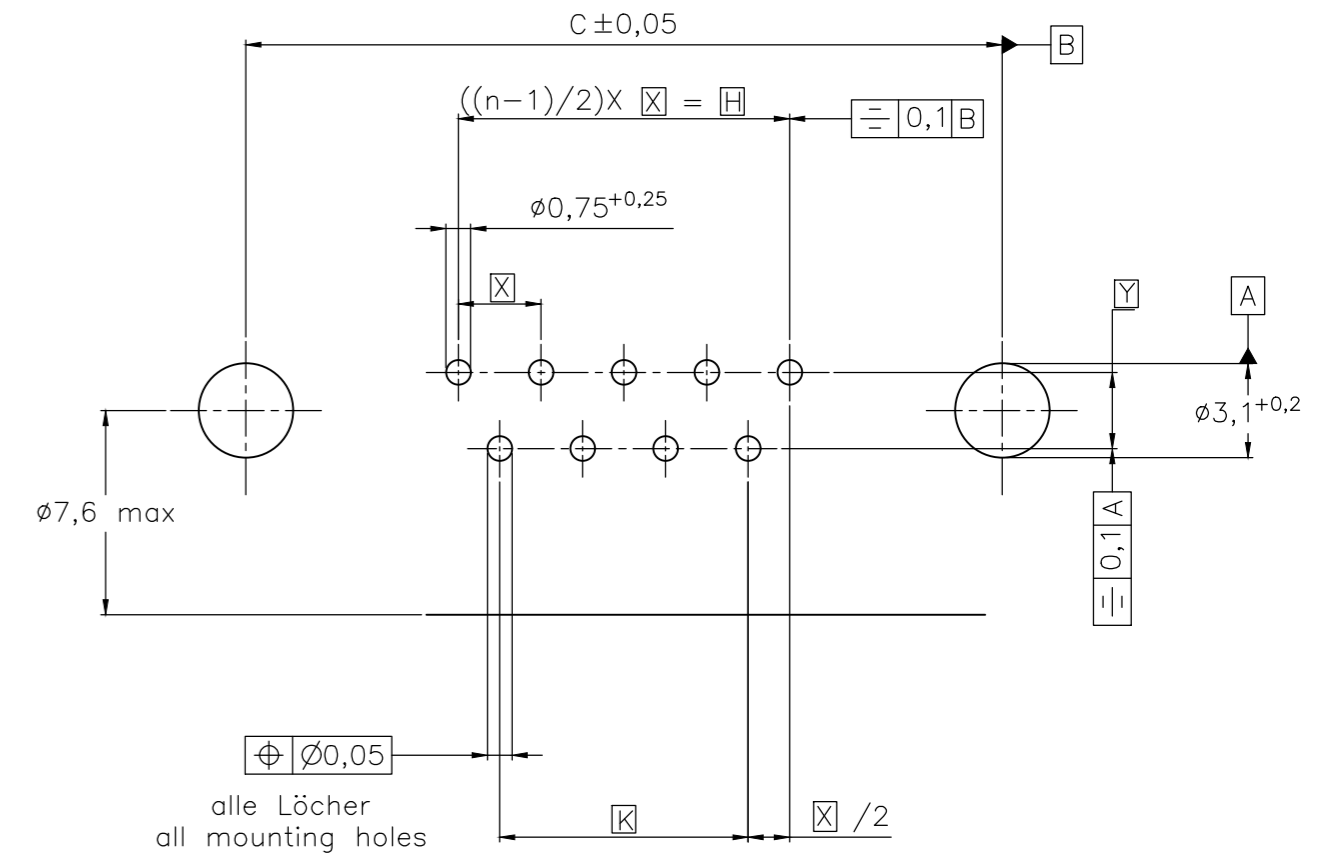
mit Gewindebolzen: M3 V23529-B50x4-Bxxx-+
 with threadlock 4-40 UNC V23529-B50x5-Bxxx-+



mit Gewinde : M3 V23529-B50x2-Bxxx-+
 with thread 4-40 UNC V23529-B50x3-Bxxx-+



Leiterplattenbohrung
 PCB hole pattern



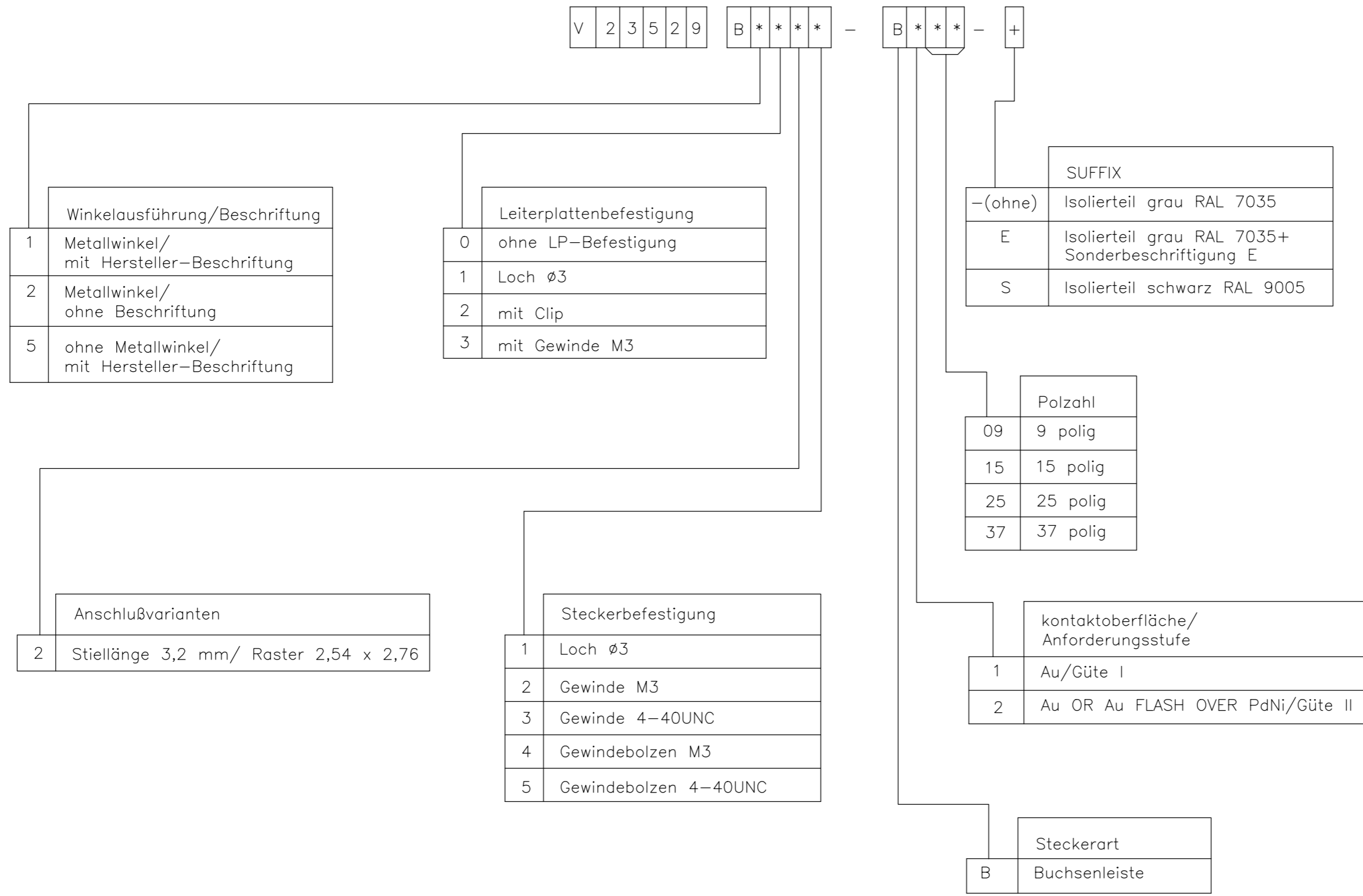
Mass Dimension	Polzahl n Number of contacts n			
	9	15	25	37
C	25	33,3	47,04	63,5
H	10,96	19,18	33,12	49,68
K	8,22	16,44	30,36	46,92
X	2,74	2,74	2,76	2,76
Y	2,54			

1) nach DIN 41652T.2 und T.4
 according to DIN 41652 T.2 AND T.4

OLD PN: V23529-B****-B***-*-7427

THIS DRAWING IS A CONTROLLED DOCUMENT.		DWN GNANI JADAV A E	07JAN10	TE TE Connectivity	
DIMENSIONS: mm		CHK K. MALCZYK	APVD K. MALCZYK		
TOLERANCES UNLESS OTHERWISE SPECIFIED:		PRODUCT SPEC		NAME Buchsleistenleiste ¹⁾ Einbauhöhe 3,6 mm (Variante 1) Socketconnector-90° solderversion (Type1) ¹⁾	
0 PLC ± - 1 PLC ± - 2 PLC ± - 3 PLC ± - 4 PLC ± - ANGLES ± -		APPLICATION SPEC		SIZE A2	CAGE CODE 00779
MATERIAL		WEIGHT		DRAWING NO C=1-1393480-7	
FINISH		CUSTOMER DRAWING		RESTRICTED TO	SCALE 2:1
				SHEET 4 of 6	REV H

REVISIONS				
P	LTR	DESCRIPTION	DATE	APVD
-	-	SEE SHEET 1	-	-



1) nach DIN 41652.2 und T.4
 according to DIN 41652 p.2 AND p.4

OLD PN: V23529-B*****-B***-*-7427

THIS DRAWING IS A CONTROLLED DOCUMENT.		DWN GNANI JADAV A E	07JAN10	TE Connectivity	
DIMENSIONS: mm		CHK K. MALCZYK	APVD K. MALCZYK		
		TOLERANCES UNLESS OTHERWISE SPECIFIED: 0 PLC ± - 1 PLC ± - 2 PLC ± - 3 PLC ± - 4 PLC ± - ANGLES ± -		RESTRICTED TO	
MATERIAL		FINISH		SIZE A2	CAGE CODE 00779
		WEIGHT		DRAWING NO C=1-1393480-7	
		CUSTOMER DRAWING		SCALE 2:1	SHEET 5 of 6
				REV H	

THIS DRAWING IS UNPUBLISHED. RELEASED FOR PUBLICATION
 © COPYRIGHT - By - ALL RIGHTS RESERVED.

REVISIONS				
P	LTR	DESCRIPTION	DATE	APVD
-	-	SEE SHEET 1	-	-


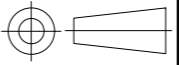
Active part numbers. Contact TE CONNECTIVITY for other configuration availability

Old Part Number	TE CONNECTIVITY Part Number
V23529-B1121-B209	1-1393480-7
V23529-B1121-B215	1-1393480-8
V23529-B1121-B225	1-1393480-9
V23529-B1121-B237	2-1393480-0
V23529-B1122-B209	2-1393480-8
V23529-B1122-B215	2-1393480-9
V23529-B1122-B225	3-1393480-0
V23529-B1122-B237	3-1392010-8
V23529-B1123-B109	3-1393480-4
V23529-B1123-B209	3-1393480-6
V23529-B1123-B215	3-1393480-7
V23529-B1123-B225	3-1393480-8
V23529-B1123-B237	3-1393480-9
V23529-B1125-B209	4-1393480-7 OBSOLETE
V23529-B1125-B215	4-1393480-8 OBSOLETE
V23529-B1125-B225	4-1393480-9 OBSOLETE
V23529-B1125-B237	5-1393480-0 OBSOLETE
V23529-B1221-B209	5-1393480-5
V23529-B1221-B215	5-1393480-6
V23529-B1221-B225	5-1393480-7
V23529-B1222-B109	6-1393480-4

Old Part Number	TE CONNECTIVITY Part Number
V23529-B1222-B115	6-1393480-5
V23529-B1222-B125	6-1393480-6
V23529-B1222-B209	6-1393480-7 OBSOLETE
V23529-B1222-B215	6-1393480-8 OBSOLETE
V23529-B1222-B225	6-1393480-9 OBSOLETE
V23529-B1222-B237	7-1393480-0 OBSOLETE
V23529-B1223-B109	7-1393480-8
V23529-B1223-B115	7-1393480-9
V23529-B1223-B125	8-1393480-0
V23529-B1223-B209	8-1393480-1
V23529-B1223-B215	8-1393480-2
V23529-B1223-B225	8-1393480-3
V23529-B1223-B237	8-1393480-4
V23529-B1224-B209	9-1393480-0
V23529-B1224-B215	9-1393480-1
V23529-B1224-B225	9-1393480-2
V23529-B1225-B209	9-1393480-9
V23529-B1225-B215	1393481-1
V23529-B1225-B225	1393481-2
V23529-B1225-B237	3-1392010-7
V23529-B2221-B209	1-1393481-1

1) nach DIN 41652 T.2 und T.4 according to DIN 41652 p.2 AND p.4

OLD PN: V23529-B****-B***-*-7427

THIS DRAWING IS A CONTROLLED DOCUMENT.		DWN 07JAN10 GNANI JADAV A E	 TE Connectivity	
DIMENSIONS: mm		CHK K. MALCZYK		
		APVD K. MALCZYK	NAME Buchsenleiste ¹⁾ Einbauhöhe 3,6 mm (Variante 1) Socketconnector-90° solderversion (Type1) ¹⁾	
TOLERANCES UNLESS OTHERWISE SPECIFIED:		PRODUCT SPEC	SIZE A2	RESTRICTED TO
0 PLC ± -		APPLICATION SPEC	CAGE CODE 00779	DRAWING NO C=1-1393480-7
1 PLC ± -		WEIGHT -	SCALE 2:1	SHEET 6 of 6
2 PLC ± -		CUSTOMER DRAWING	REV H	
3 PLC ± -				
4 PLC ± -				
ANGLES ± -				
MATERIAL -				
FINISH -				

X-ON Electronics

Largest Supplier of Electrical and Electronic Components

Click to view similar products for [D-Sub Standard Connectors](#) category:

Click to view products by [TE Connectivity](#) manufacturer:

Other Similar products are found below :

[DCM37S732N](#) [DAM15P500](#) [DEV09S364GTLF](#) [DEM09P032N](#) [DDM50P732N](#) [DAM15S332N](#) [173109-2218](#) [173109-2466](#) [173109-2436](#)
[173109-2435](#) [56F706-005-LI](#) [56F711-015](#) [015-0341-000](#) [015-0372-008](#) [015-8544-011](#) [017041-0005](#) [020419-0104](#) [012-0515-000](#) [012-9507-](#)
[034](#) [012-9507-114](#) [012-9534-001](#) [020745-0008](#) [609-25P](#) [M24308/2-23Z](#) [M243082310F](#) [M243082410F](#) [M243082411F](#) [M24308/4-21](#)
[CT1A18-11PSA206](#) [CT1N36-5SC](#) [CT2-16S-17PS](#) [CT2-20-15PCAU](#) [CT2-24-12PS](#) [CT2-24-28PSF127A206](#) [CT2-32-9PC](#) [CT6F9767-14-4-](#)
[14S-5PC](#) [CT6FA10SL-4PS](#) [CT7-18-10SC](#) [CT7-18-10SCAU](#) [CT7-18-12SCAU](#) [CT7-18-1PC](#) [CT7-18-1PCAU](#) [CT7-18-21SCAU](#) [M83513/01-](#)
[FC](#) [M83723/76W24619 L/C](#) [M85049/48-3-2F](#) [69001-865](#) [6STD09PCM99B70X](#) [6STD09SCM99B30X](#) [6STD09SCT99S40X](#)