

REV	1	10:1	SCALE	147382
SHEET	1	1		
REV	1			
RESTRICTED TO				
CAGE CODE	114-7010			
APPLICATION SPEC	108-1332			
PRODUCT SPEC	108-1332			
PRODUCT NAME	TE CONNECTIVITY			
DESIGNER	J. MOSIER			
DATE	11 MAR 11			
DESCRIPTION	TE CONNECTIVITY			
DATE	21 NOV 2017			
DESCRIPTION	REVISED PER ECO-17-016552			
DATE	11 MAR 11			
DESCRIPTION	REVISED PER ECO-11-005027			
DATE	11 MAR 11			
DESCRIPTION	REVISED PER ECO-17-016552			

FINISH	TAPE WIDTH	E	D	C	B	A	NUMBER OF POSITIONS	PART NUMBER
15	24mm	[.322]	[.161]	[.322]	[.22]	4	10	147382-1
15	32mm	[.572]	[.286]	[.522]	[.22]	9	20	147382-2
15	32mm	[.822]	[.411]	[.722]	[.22]	14	30	147382-3
15	44mm	[1.072]	[.536]	[1.122]	[.22]	19	40	147382-4
15	56mm	[1.322]	[.661]	[1.372]	[.22]	24	50	147382-5
15	56mm	[1.572]	[.786]	[1.622]	[.22]	29	60	147382-6
15	72mm	[1.822]	[.911]	[1.772]	[.22]	34	70	147382-7
15	72mm	[2.072]	[1.036]	[2.022]	[.22]	39	80	147382-8
15	88mm	[2.572]	[1.286]	[2.622]	[.22]	49	100	147382-9
16	24mm	[.322]	[.161]	[.322]	[.22]	4	10	5-147382-1
16	32mm	[.572]	[.286]	[.522]	[.22]	9	20	5-147382-2
16	32mm	[.822]	[.411]	[.722]	[.22]	14	30	5-147382-3
16	44mm	[1.072]	[.536]	[1.122]	[.22]	19	40	5-147382-4
16	56mm	[1.322]	[.661]	[1.372]	[.22]	24	50	5-147382-5
16	56mm	[1.572]	[.786]	[1.622]	[.22]	29	60	5-147382-6
16	72mm	[1.822]	[.911]	[1.772]	[.22]	34	70	5-147382-7
16	72mm	[2.072]	[1.036]	[2.022]	[.22]	39	80	5-147382-8
16	88mm	[2.572]	[1.286]	[2.622]	[.22]	49	100	5-147382-9

1. 0.00051[.000020] MIN AT THE END POINTS OF AREA G, (LOCALIZED GOLD PLATE AREA), 0.0038[.000150] TIN-LEAD ON LOCALIZED GOLD PLATE AREA), 0.0038(.000150) TIN ON LOCALIZED TIN PLATED AREA, ALL OVER 0.0013(.000050) NICKEL.

2. USE 1.55±.02 [.0610±.0010] DRILLED HOLE (1.55mm DRILL); FINISH TO BE TIN-LEAD OVER 0.02 [.001] MIN COPPER.

3. DIMENSION APPLIES AT BASE OF SHROUD.

4. THE NOTED DIMENSIONS APPLY AT THE MATING FACE OF THE HOUSING.

5. 0.0038 [.000150] TIN-LEAD ON HOLD DOWN, ALL OVER 0.0013 [.000050] NICKEL.

6. IF PLANNING TO USE MORE THAN ONE MATING PAIR OF CONNECTORS TO INTERCONNECT 2 BOARDS, PLEASE REFER TO THE SPACING PARAGRAPH IN APPLICATION SPEC, #114-7010.

7. POINT OF MEASUREMENT.

8. DIMENSIONS NOTED APPLY FROM THE BASIC DIMENSION LINE (NOT THE CIRCUIT CAVITY CENTER LINE) TO THE SURFACE INDICATED.

9. PACKAGED IN TAPE AND REEL PER EIA-481 SPECIFICATIONS, SEE CHART FOR TAPE WIDTHS.

10. VACUUM COVER DESIGNED FOR 4.0 [.160] DIA. NOZZLE. VACUUM COVER TO BE REMOVED AFTER SOLDERING.

11. 5 [.216] MIN TARGET AREA FOR VACUUM PICK-UP.

12. VACUUM COVER SHOWN IN PHANTOM LINE.

13. HOUSING: LCP, COLOR-BLACK.

14. POST: PHOSPHOR BRONZE.

15. HOLD DOWN: COPPER ALLOY.

16. VACUUM COVER: ALUMINUM.

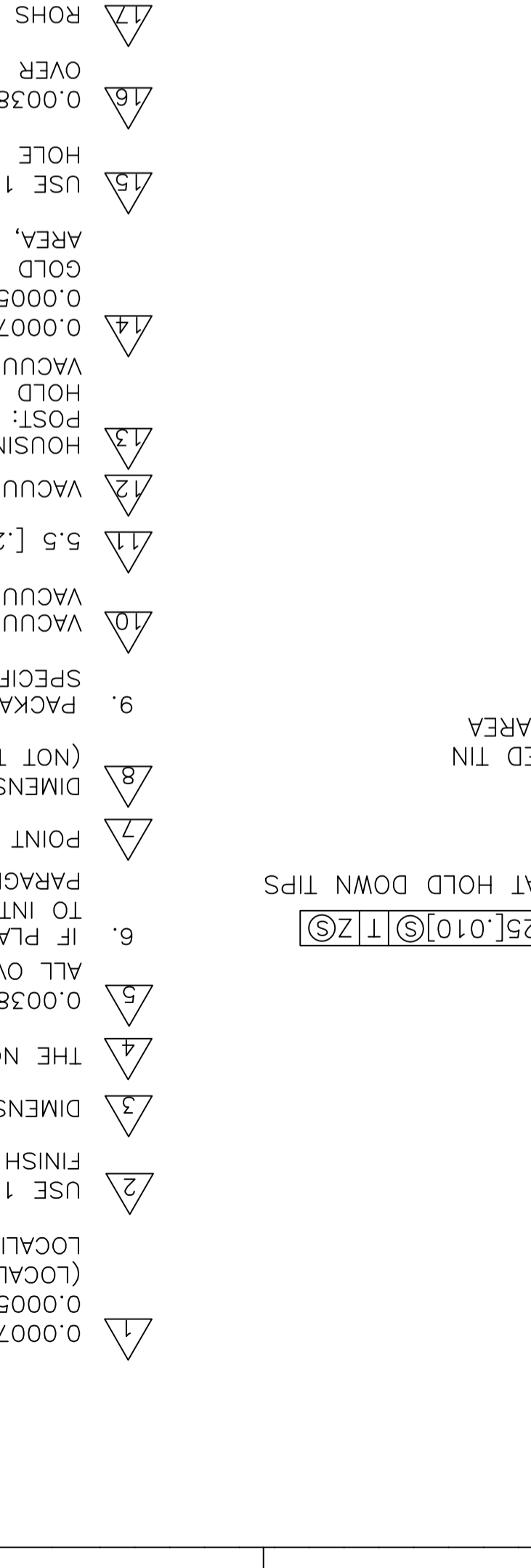
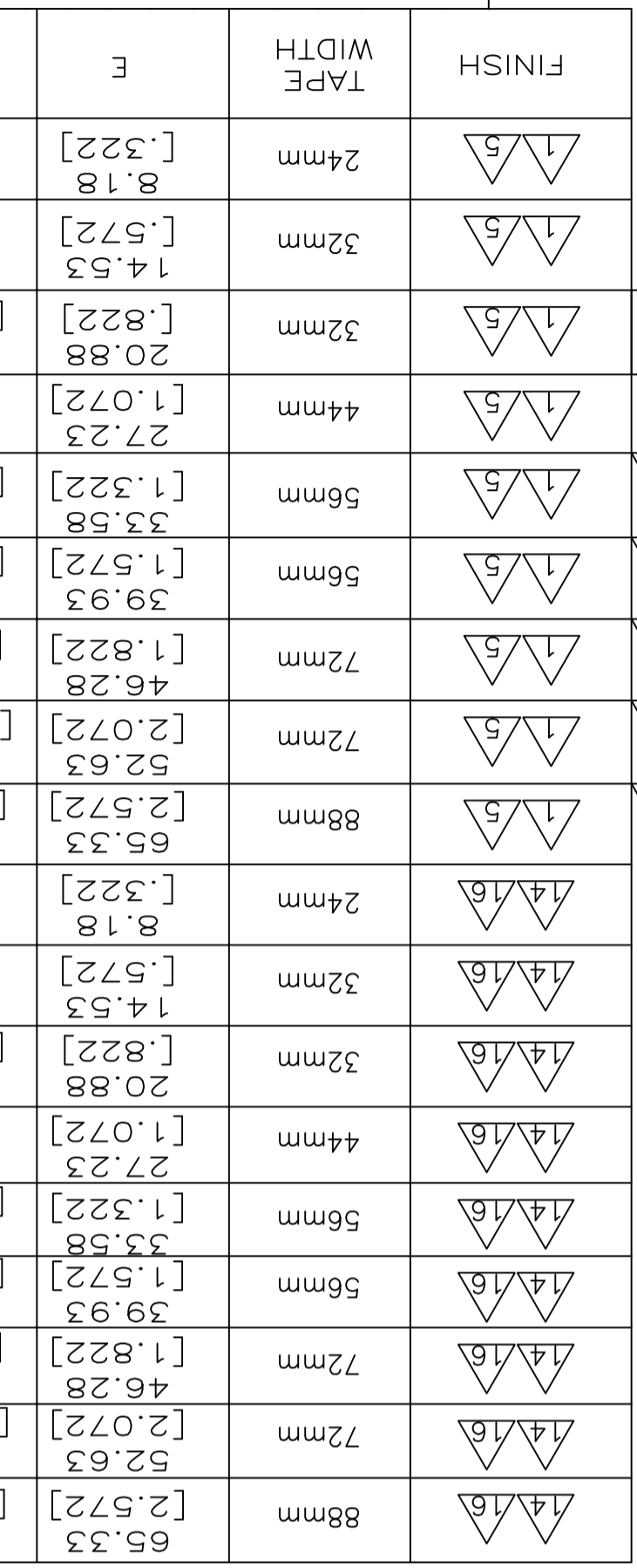
17. 0.00076(.000030) GOLD AT POINT OF MEASUREMENT, (LOCALIZED GOLD PLATE AREA), 0.0038(.000150) TIN ON LOCALIZED TIN PLATED AREA, ALL OVER 0.0013(.000050) NICKEL.

18. USE 1.55+/-0.02(.0610+/-0.010) DRILLED HOLE MIN COPPER. HOLE FINISH TO BE TIN OVER 0.02(.001) MIN COPPER.

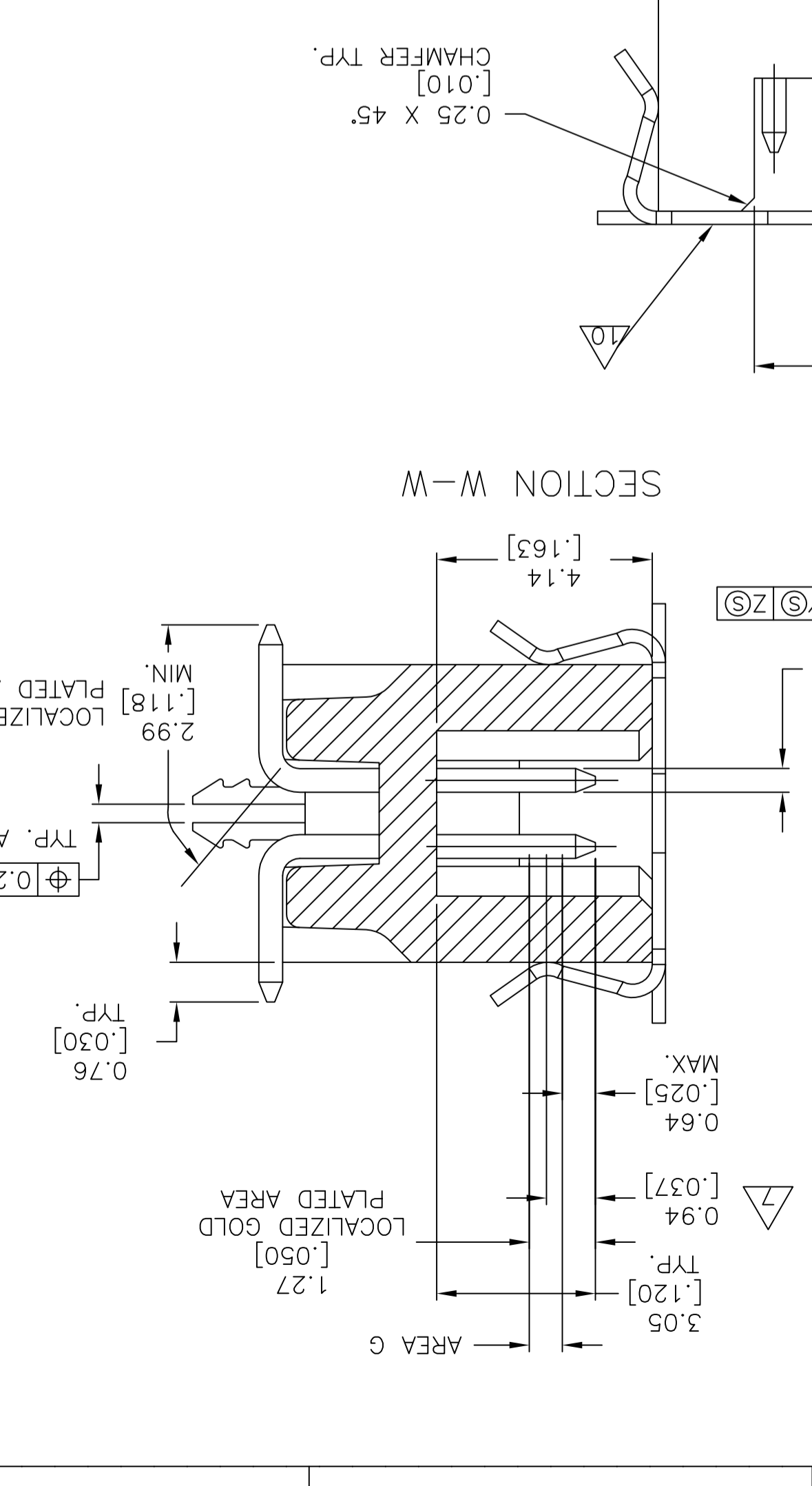
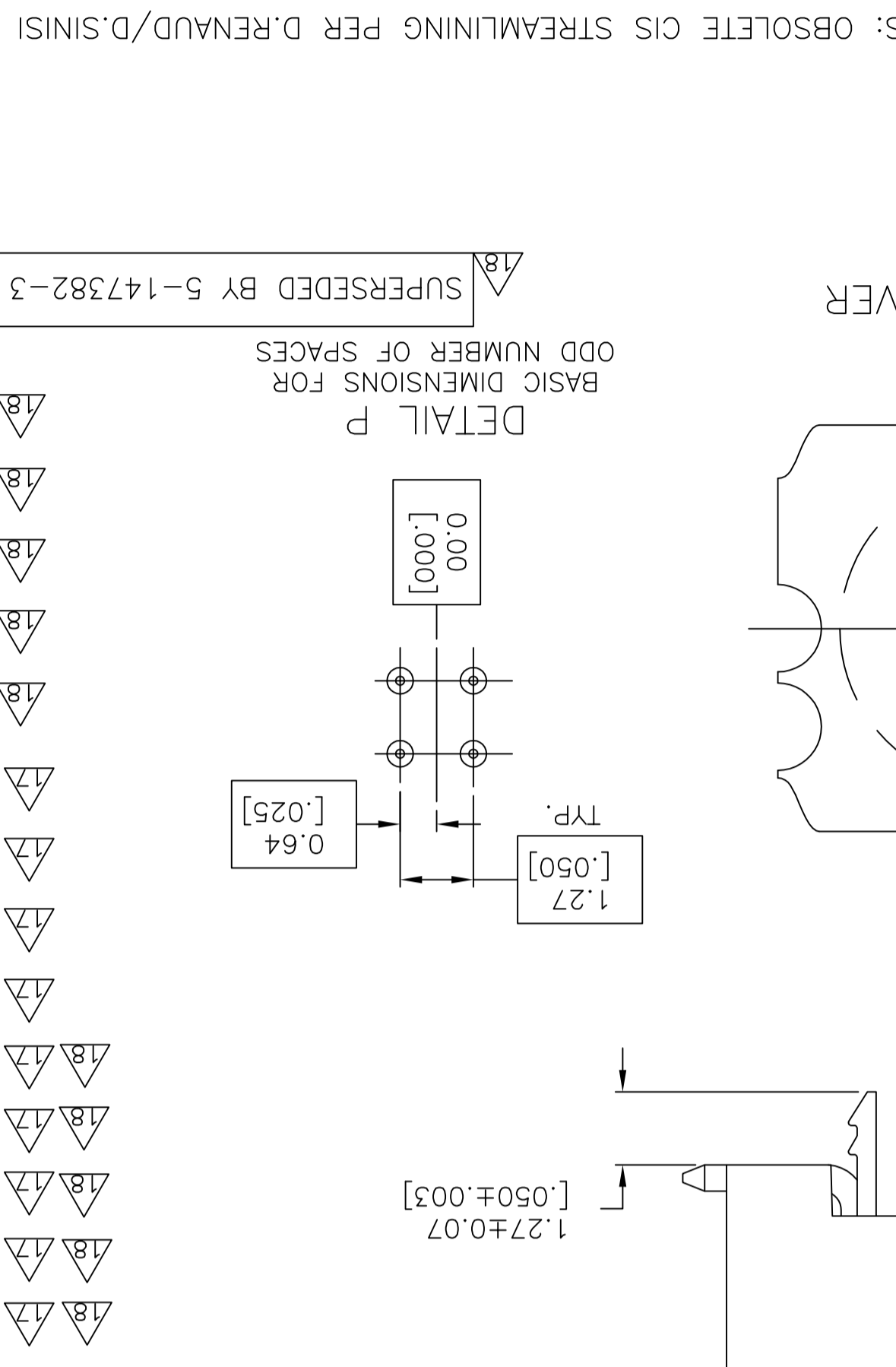
19. 0.0038(.000150) TIN ON HOLD DOWN, ALL OVER 0.0013(.000050) NICKEL.

20. ROHS 2002/95/EC COMPLIANT.

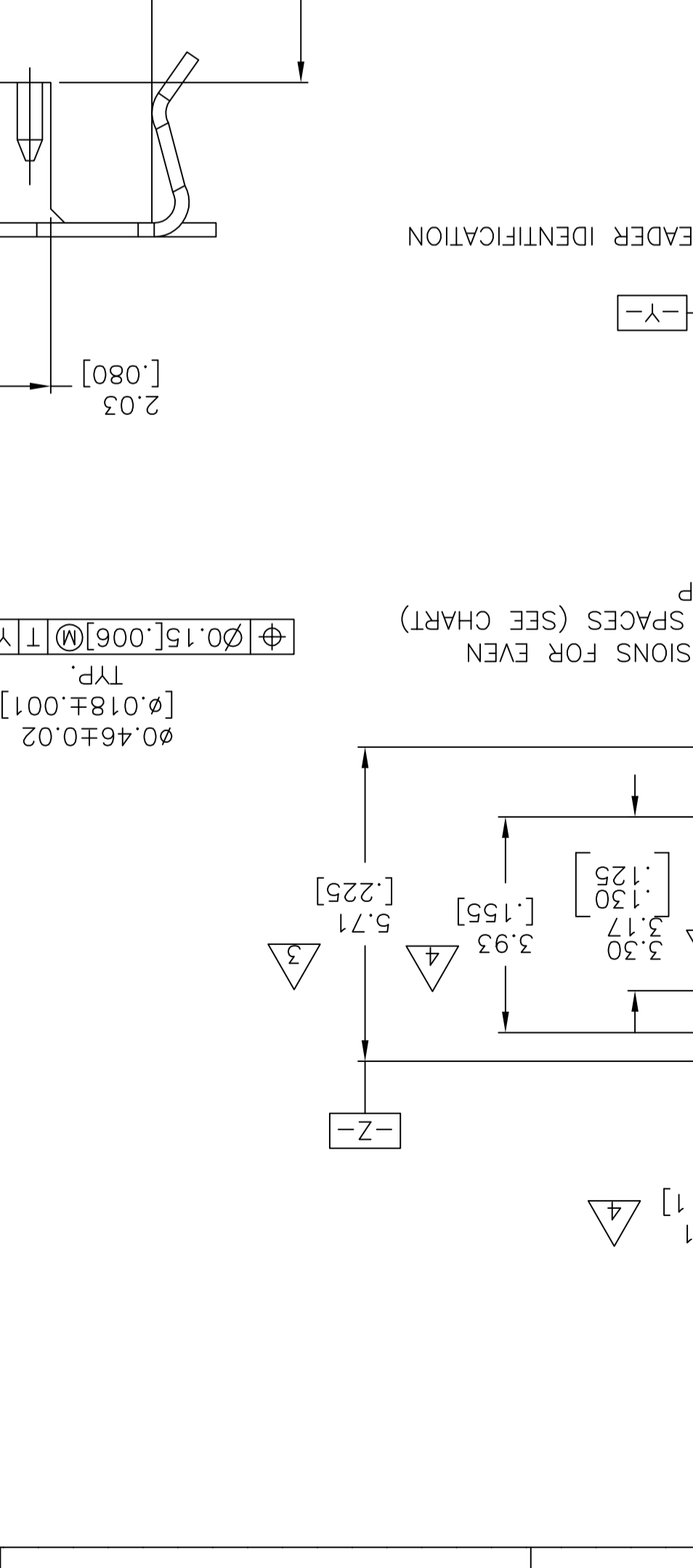
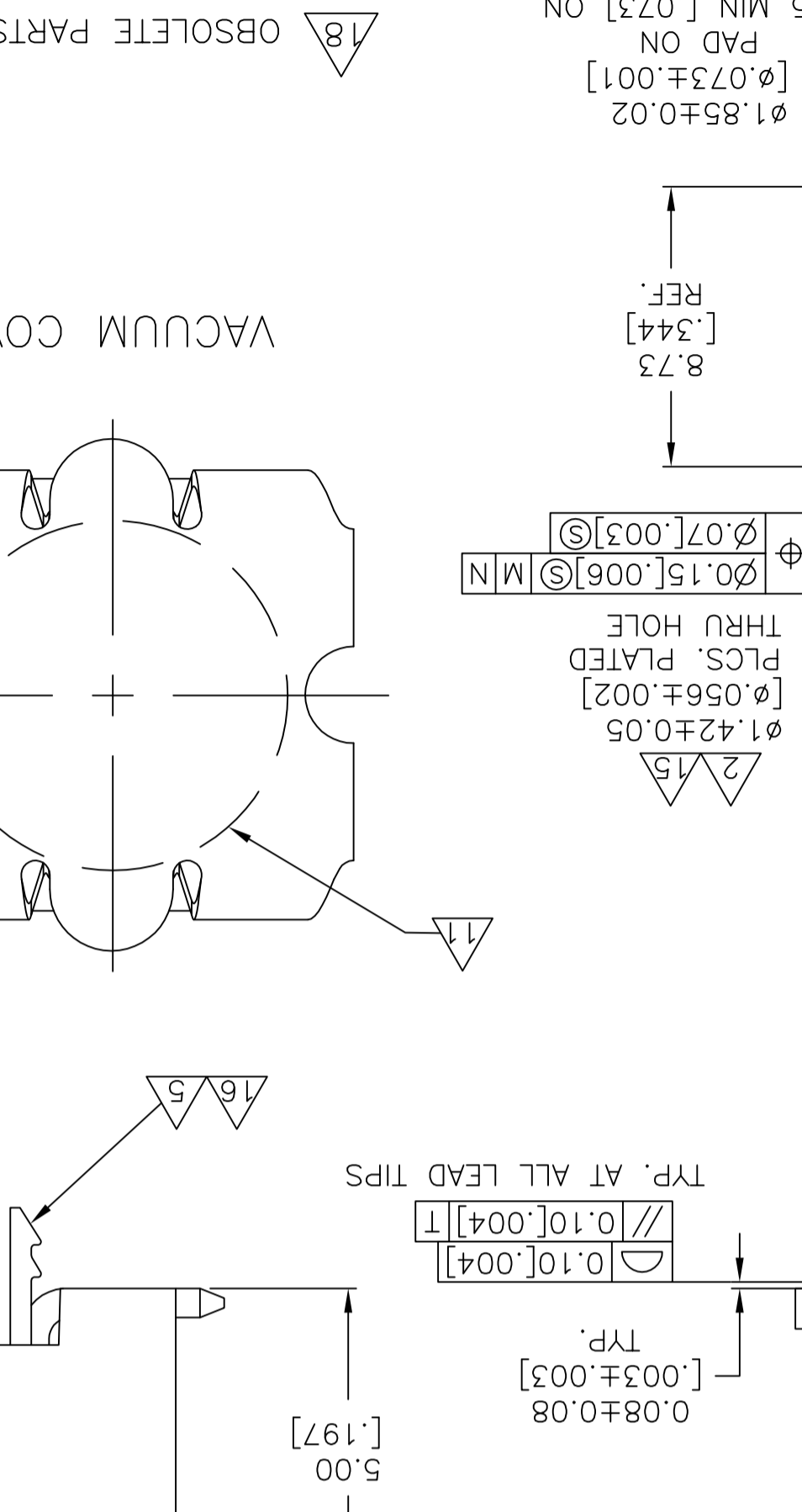
FINISH	SEE TABLE
HAZARDS	SEE TABLE
TOLERANCES UNLESS OTHERWISE SPECIFIED:	
0 PLG	±
1 PLG	±
2 PLG	±
3 PLG	±
4 PLG	±
5 PLG	±
6 PLG	±
7 PLG	±
8 PLG	±
9 PLG	±
10 PLG	±
11 PLG	±
12 PLG	±
13 PLG	±
14 PLG	±
15 PLG	±
16 PLG	±
17 PLG	±
18 PLG	±
19 PLG	±
20 PLG	±
21 PLG	±
22 PLG	±
23 PLG	±
24 PLG	±
25 PLG	±
26 PLG	±
27 PLG	±
28 PLG	±
29 PLG	±
30 PLG	±
31 PLG	±
32 PLG	±
33 PLG	±
34 PLG	±
35 PLG	±
36 PLG	±
37 PLG	±
38 PLG	±
39 PLG	±
40 PLG	±
41 PLG	±
42 PLG	±
43 PLG	±
44 PLG	±
45 PLG	±
46 PLG	±
47 PLG	±
48 PLG	±
49 PLG	±
50 PLG	±
51 PLG	±
52 PLG	±
53 PLG	±
54 PLG	±
55 PLG	±
56 PLG	±
57 PLG	±
58 PLG	±
59 PLG	±
60 PLG	±
61 PLG	±
62 PLG	±
63 PLG	±
64 PLG	±
65 PLG	±
66 PLG	±
67 PLG	±
68 PLG	±
69 PLG	±
70 PLG	±
71 PLG	±
72 PLG	±
73 PLG	±
74 PLG	±
75 PLG	±
76 PLG	±
77 PLG	±
78 PLG	±
79 PLG	±
80 PLG	±
81 PLG	±
82 PLG	±
83 PLG	±
84 PLG	±
85 PLG	±
86 PLG	±
87 PLG	±
88 PLG	±
89 PLG	±
90 PLG	±
91 PLG	±
92 PLG	±
93 PLG	±
94 PLG	±
95 PLG	±
96 PLG	±
97 PLG	±
98 PLG	±
99 PLG	±
100 PLG	±



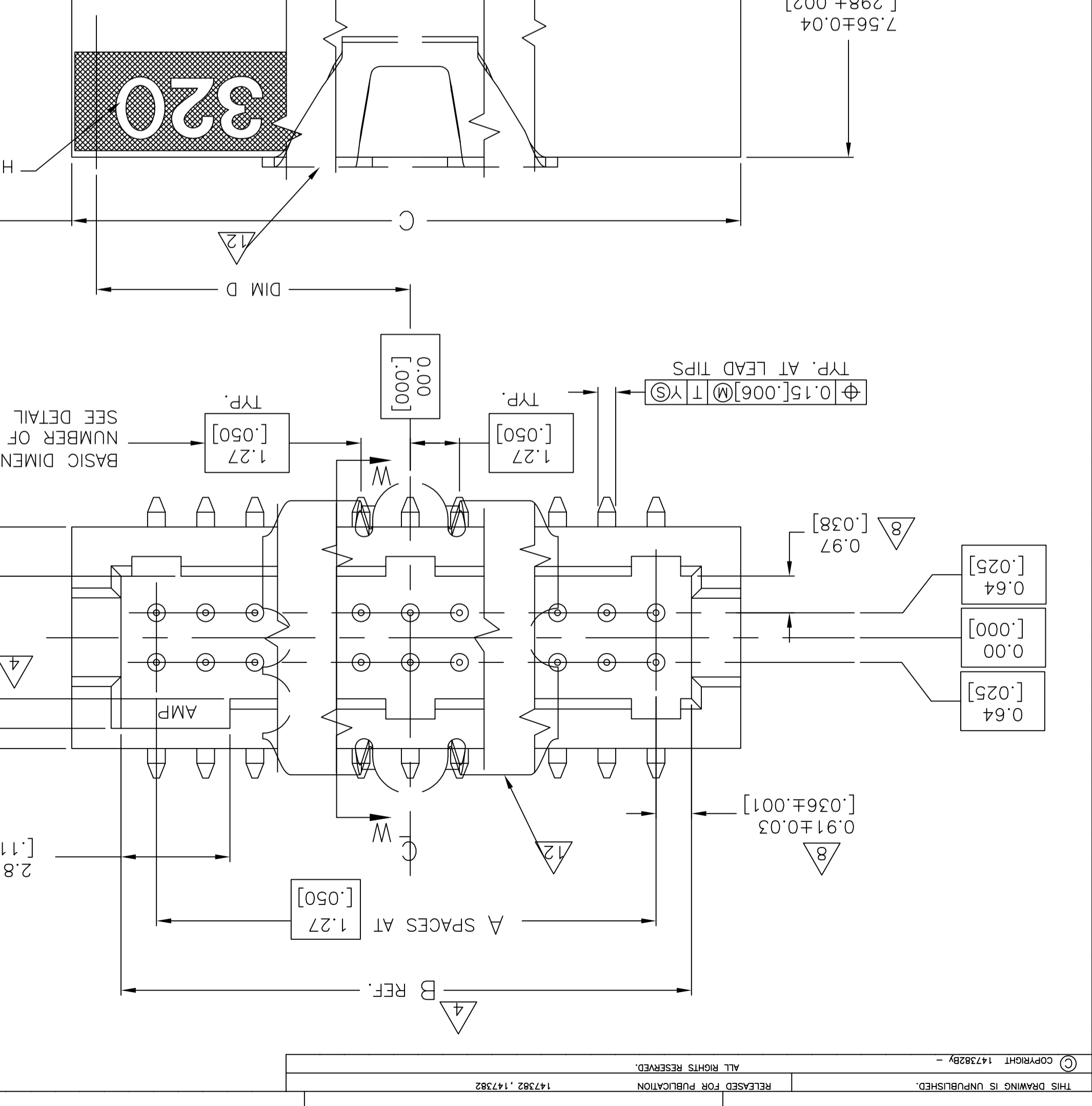
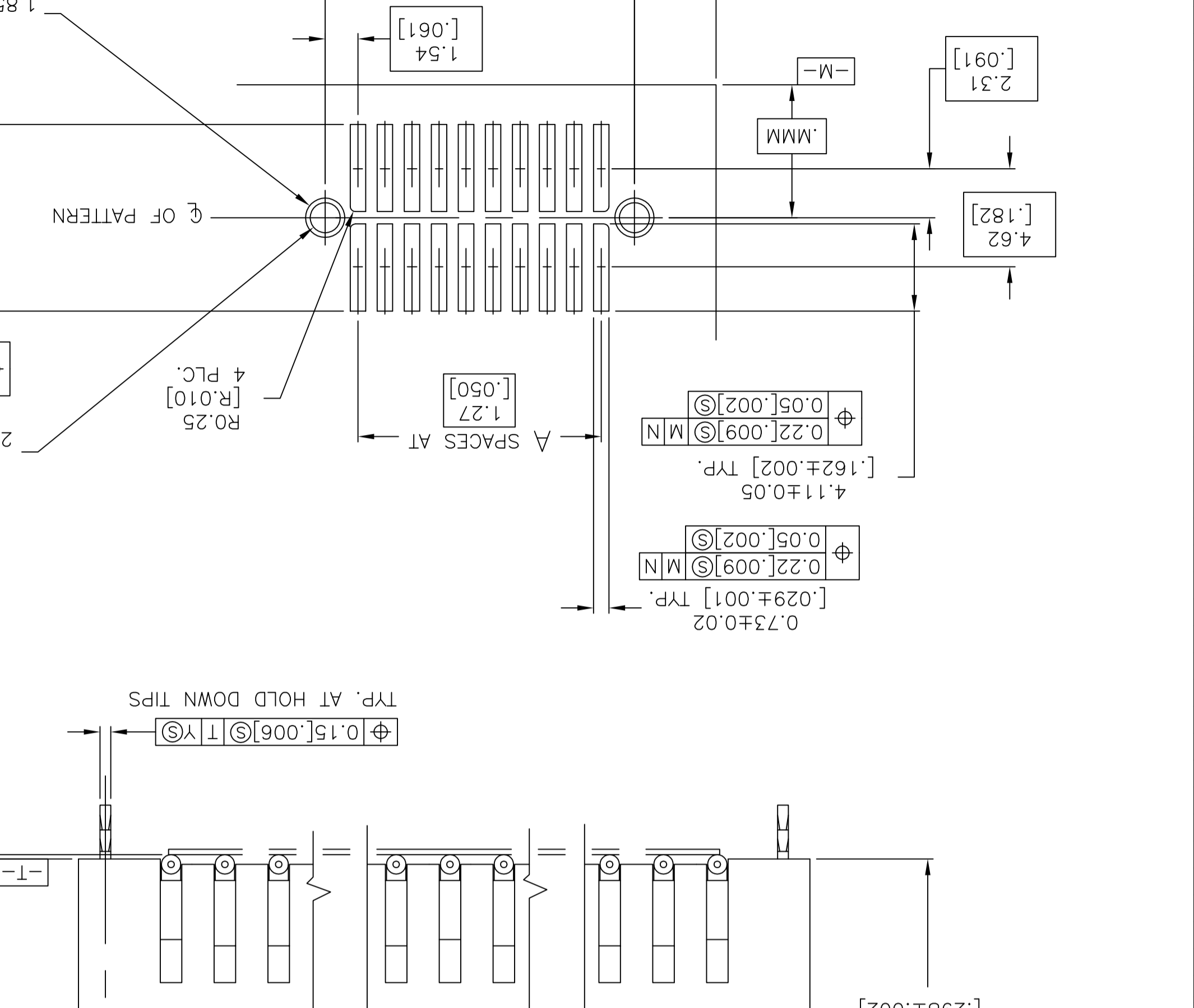
THIS DRAWING IS A CONTROLLED DOCUMENT.
 OWN: HAYMAKER ZSUNOO
 CK: J. MOSIER ZSUNOO
 PRODUCT SPEC: 108-1332
 APPLICATION SPEC: 114-7010
 WEIGHT: -
 MATERIAL: -
 FINISH: SEE TABLE



THIS DRAWING IS UNPUBLISHED. ALL RIGHTS RESERVED. 147382-1 (1/5)
 RELEASED FOR PUBLICATION 147382-1 (1/5)
 COPYRIGHT © 1999



THIS DRAWING IS UNPUBLISHED. ALL RIGHTS RESERVED. 147382-1 (1/5)
 RELEASED FOR PUBLICATION 147382-1 (1/5)
 COPYRIGHT © 1999



X-ON Electronics

Largest Supplier of Electrical and Electronic Components

Click to view similar products for [Headers & Wire Housings](#) category:

Click to view products by [TE Connectivity](#) manufacturer:

Other Similar products are found below :

[95000-104TRLF](#) [10135584-644402LF](#) [DF62W-EP2022PCA](#) [95000-106TRLF](#) [DF62W-2022SCA](#) [DF62W-EP2022PC](#) [2203348](#) [DF62W-2022SC](#) [1084018](#) [1029039](#) [1084017](#) [802-10-012-10-002000](#) [1112640](#) [1112639](#) [000-34000](#) [0009482033](#) [0009507031](#) [57102-S06-03LF](#) [57202-S52-04LF](#) [PCN6-15S-2.5E](#) [0039019024](#) [58102-G61-06LF](#) [582553-1](#) [0009485154](#) [0009508121](#) [0022285053](#) [0050291907](#) [018731A](#) [LY20-4P-DT1-P1E-BR](#) [02.125.8002.8](#) [60101931](#) [60598-1 \(Cut Strip\)](#) [M1625-3R/100](#) [61062-3](#) [61082-181009](#) [636-1427](#) [638009-1](#) [641938-9](#) [641991-4](#) [644168-1](#) [647662-1](#) [65039-019ELF](#) [65817-002LF](#) [65817-015LF](#) [65863-015LF](#) [66207-023LF](#) [67016-026LF](#) [67046-001LF](#) [67095-007LF](#) [67230-005LF](#)