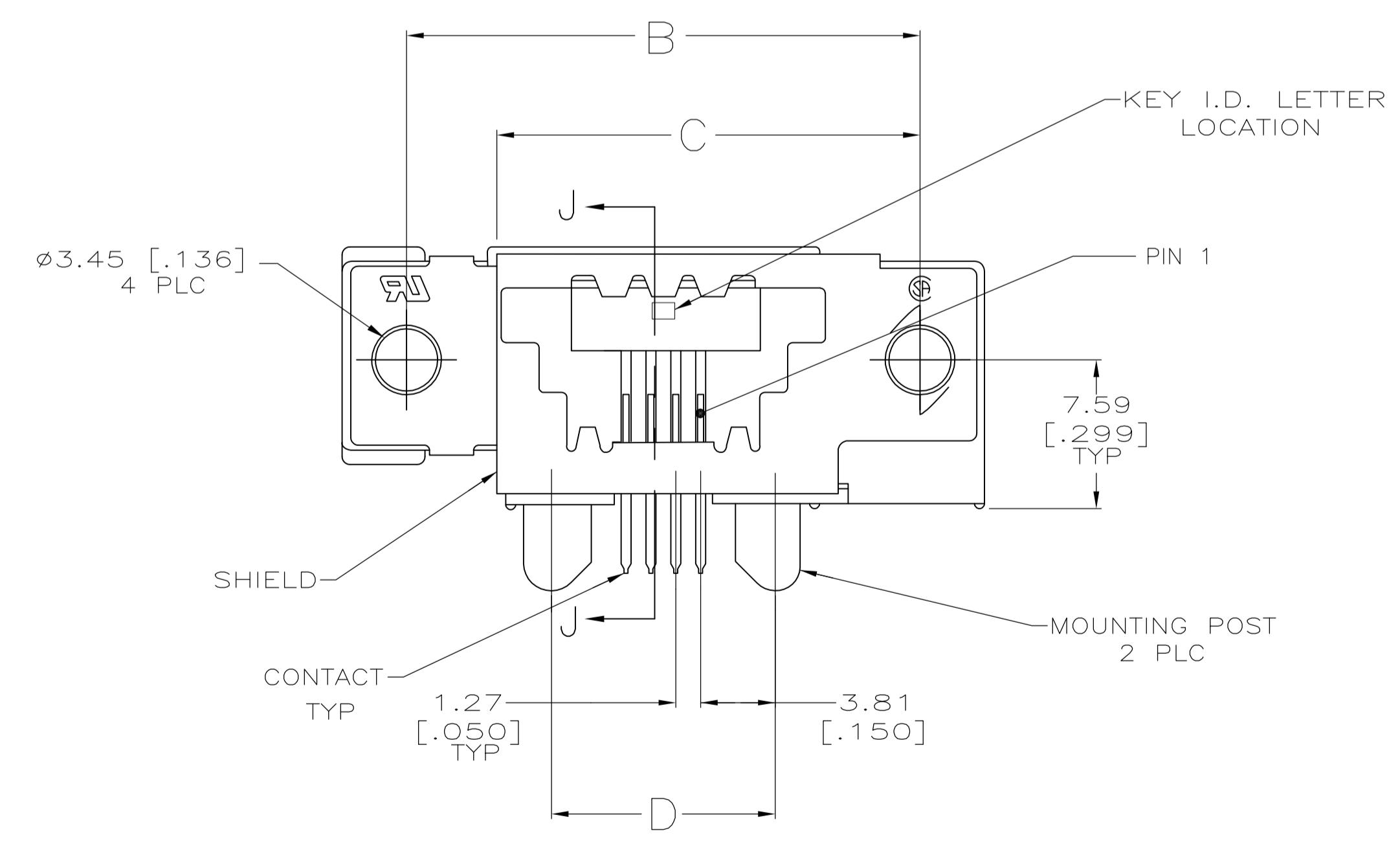
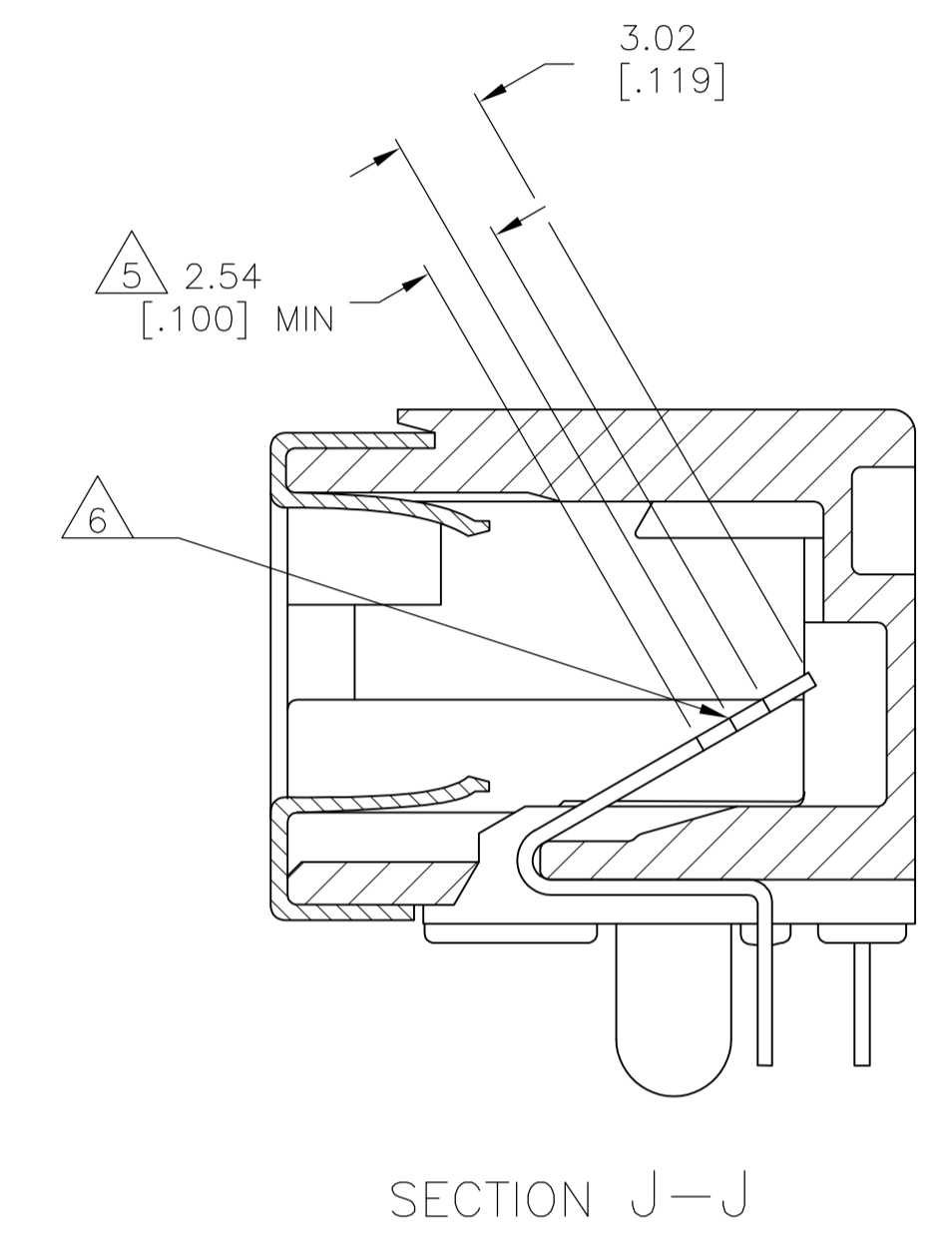
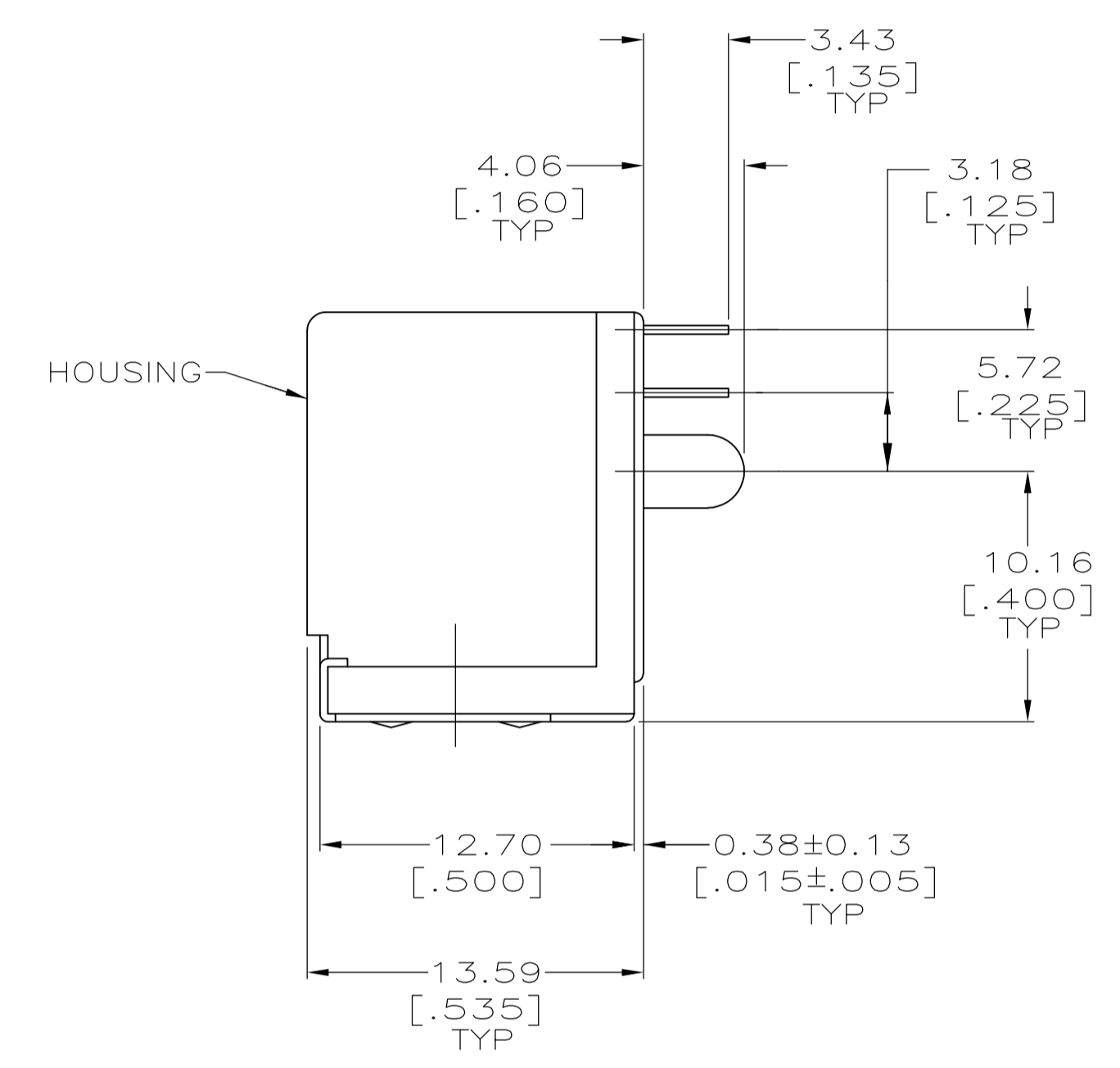
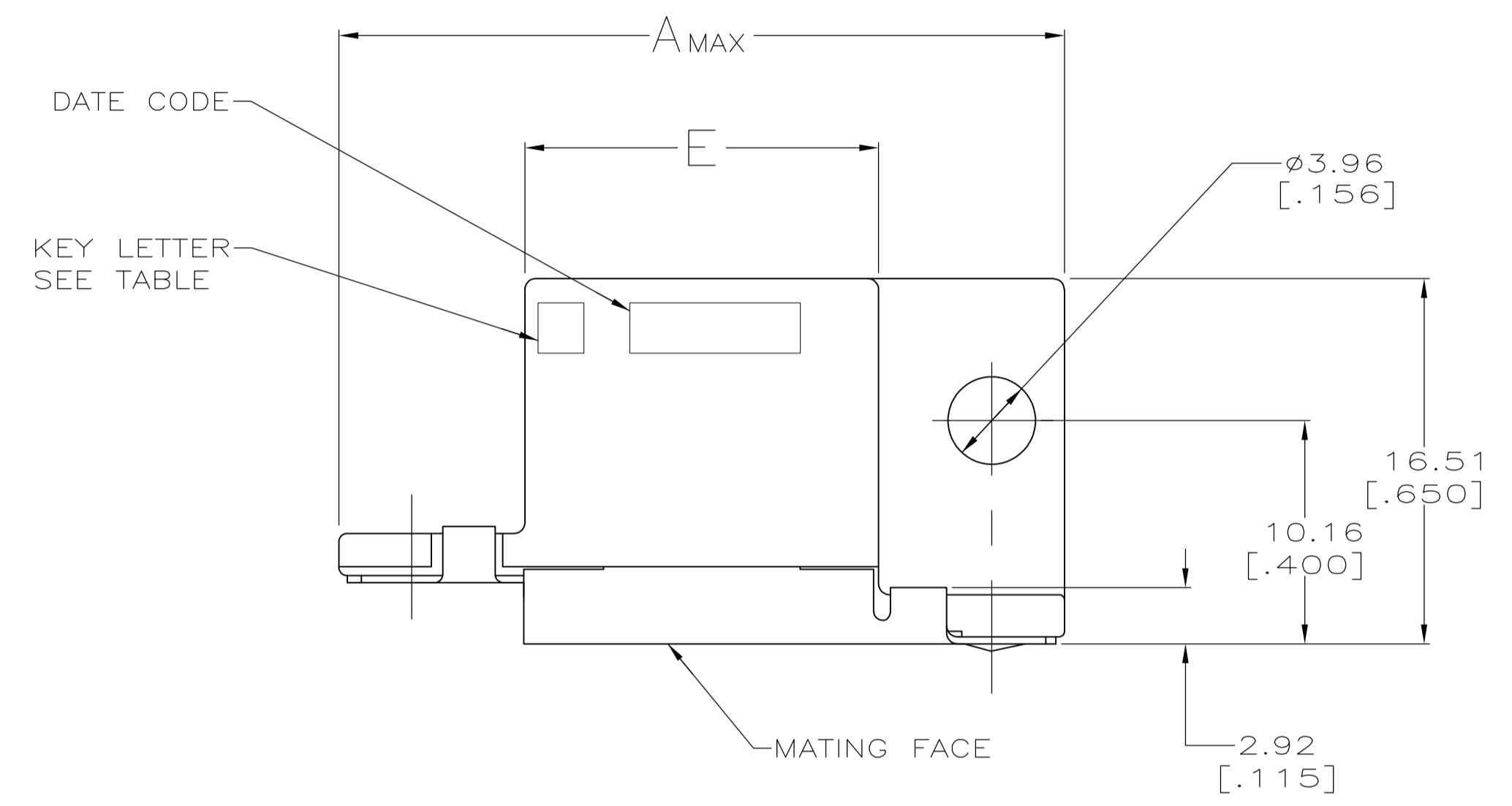


LOC		DIST		REVISIONS			
GP	00	REV	DATE	BY	CHK	APPV	
B		REVISED PER ECO-11-019758	13FEB2012	CJV	CWR		

1. PREFIX AND SUFFIX NUMBERS MUST MATCH THOSE ON PLUG ASSEMBLY FOR PARTS TO MATE.
2. POLYESTER, FLAME RETARDANT, UL 94V-0 RATED, GLASS FILLED, BLACK.
3. 0.76µm [.000030] MIN BRIGHT TIN OVER 1.27µm [.000050] MIN NICKEL.
4. 1.27µm [.000050] MIN GOLD ON MATING SURFACE FOR A LENGTH OF 2.54 [.100] MIN, 3.81µm [.000150] MIN MATTE TIN ON OPPOSITE END FOR A LENGTH OF 3.81 [.150] MIN, BOTH OVER 1.27µm [.000050] MIN NICKEL ON ENTIRE CONTACT.
5. DIMENSION INDICATES CONTACT MATING AREA.
6. PLATING MEASUREMENT POINT.



OBSOLETE	16.00 [.630]	11.43 [.450]	21.46 [.845]	26.24 [1.033]	33.02 [1.300]	4	F	6-1761186-1
	31.24 [1.230]	26.44 [1.041]	36.70 [1.445]	41.48 [1.633]	48.26 [1.900]	16	E	5-1761186-6
	21.08 [.830]	16.51 [.650]	26.54 [1.045]	31.32 [1.233]	38.10 [1.500]	8	E	5-1761186-3
OBSOLETE	18.54 [.730]	13.97 [.550]	24.00 [.945]	28.78 [1.133]	35.56 [1.400]	6	E	5-1761186-2
	16.00 [.630]	11.43 [.450]	21.46 [.845]	26.24 [1.033]	33.02 [1.300]	4	E	5-1761186-1
OBSOLETE	18.54 [.730]	13.97 [.550]	24.00 [.945]	28.78 [1.133]	35.56 [1.400]	6	C	3-1761186-2
OBSOLETE	16.00 [.630]	11.43 [.450]	21.46 [.845]	26.24 [1.033]	33.02 [1.300]	4	C	3-1761186-1
OBSOLETE	21.08 [.830]	16.51 [.650]	26.54 [1.045]	31.32 [1.233]	38.10 [1.500]	8	B	2-1761186-3
OBSOLETE	16.00 [.630]	11.43 [.450]	21.46 [.845]	26.24 [1.033]	33.02 [1.300]	4	B	2-1761186-1
OBSOLETE	31.24 [1.230]	26.44 [1.041]	36.70 [1.445]	41.48 [1.633]	48.26 [1.900]	16	A	1-1761186-6
OBSOLETE	18.54 [.730]	13.97 [.550]	24.00 [.945]	28.78 [1.133]	35.56 [1.400]	6	A	1-1761186-2
	16.00 [.630]	11.43 [.450]	21.46 [.845]	26.24 [1.033]	33.02 [1.300]	4	A	1-1761186-1
	E	D	C	B	A	NO OF POSN	KEY I.D. LETTER	PART NO

THIS DRAWING IS A CONTROLLED DOCUMENT.

DIMENSIONS: mm [INCHES]	TOLERANCES UNLESS OTHERWISE SPECIFIED:	DIN B MCMASER 26APR04	APPRO C ROHDE 26APR04	NAME M. WALMSLEY 26APR04	PRODUCT SPEC 108-2047	APPLICATION SPEC 114-2081	SIZE A1	CAGE CODE 00779	DRAWING NO 1761186	RESTRICTED TO
	0 PLC ± -									
	1 PLC ± -									
	2 PLC ± -									
	3 PLC ± 0.38 [.015]									
	4 PLC ± -									
	ANGLES ± -									
MATERIAL	FINISH	WEIGHT								

CUSTOMER DRAWING SCALE 4:1 SHEET 1 OF 1 REV B

X-ON Electronics

Largest Supplier of Electrical and Electronic Components

Click to view similar products for [Modular Connectors / Ethernet Connectors](#) category:

Click to view products by [TE Connectivity](#) manufacturer:

Other Similar products are found below :

[RJE231881317T](#) [MP1010RX-1000](#) [MP44RX-1000](#) [GAX-3-66](#) [GAX-8-62](#) [93606-0253](#) [GD-A-44](#) [GDCX-PA-66-50](#) [GDCX-PN-64](#) [GDCX-PN-66](#) [GDCX-PN-66-50](#) [GDLX-A-66](#) [GDLX-A-88](#) [GDLX-N-66](#) [GDLX-S-88K](#) [GDTX-S-88-50](#) [GDX-PA-1010](#) [GLX-N-1010M-BLK](#) [GLX-N-44M](#) [GLX-S-88M-BLK](#) [GMX-N-1010](#) [GMX-S-1010](#) [GMX-S-66](#) [GMX-SMT2-N-1010](#) [GMX-SMT2-N-64-50](#) [GMX-SMT2-S6-88](#) [GMX-SMT4-N-88](#) [GPX-2-64](#) [GRT1-BT1-5](#) [GSGX-N-2-88](#) [GSX-NS2-88-3.05](#) [GSX-NS2-88-3.05-50](#) [GSX-NS-88-3.05-30](#) [GSX-NS-88-3.05-50](#) [GSX-NS-88-3.68](#) [1-1775629-2](#) [GWLX-S-88-GR](#) [GWLX-S9-88-YG](#) [1300500326](#) [1300500227](#) [1300530003](#) [1300570002](#) [1324640-4](#) [RJ11FTVC2G](#) [RJ11FTVC2N](#) [RJFTVX2SA1G](#) [132764-001](#) [1400000](#) [1413176](#) [1413235](#)