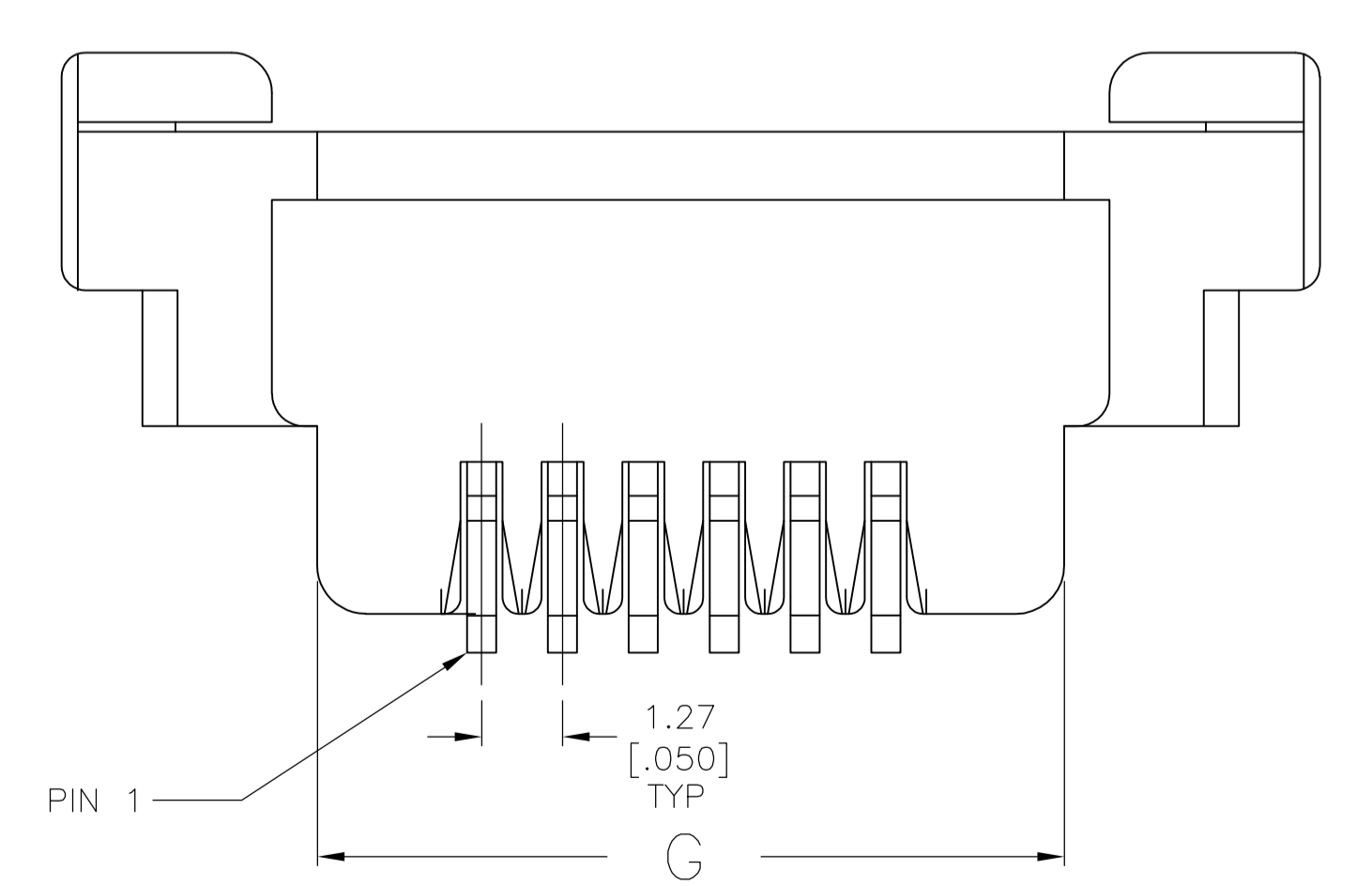
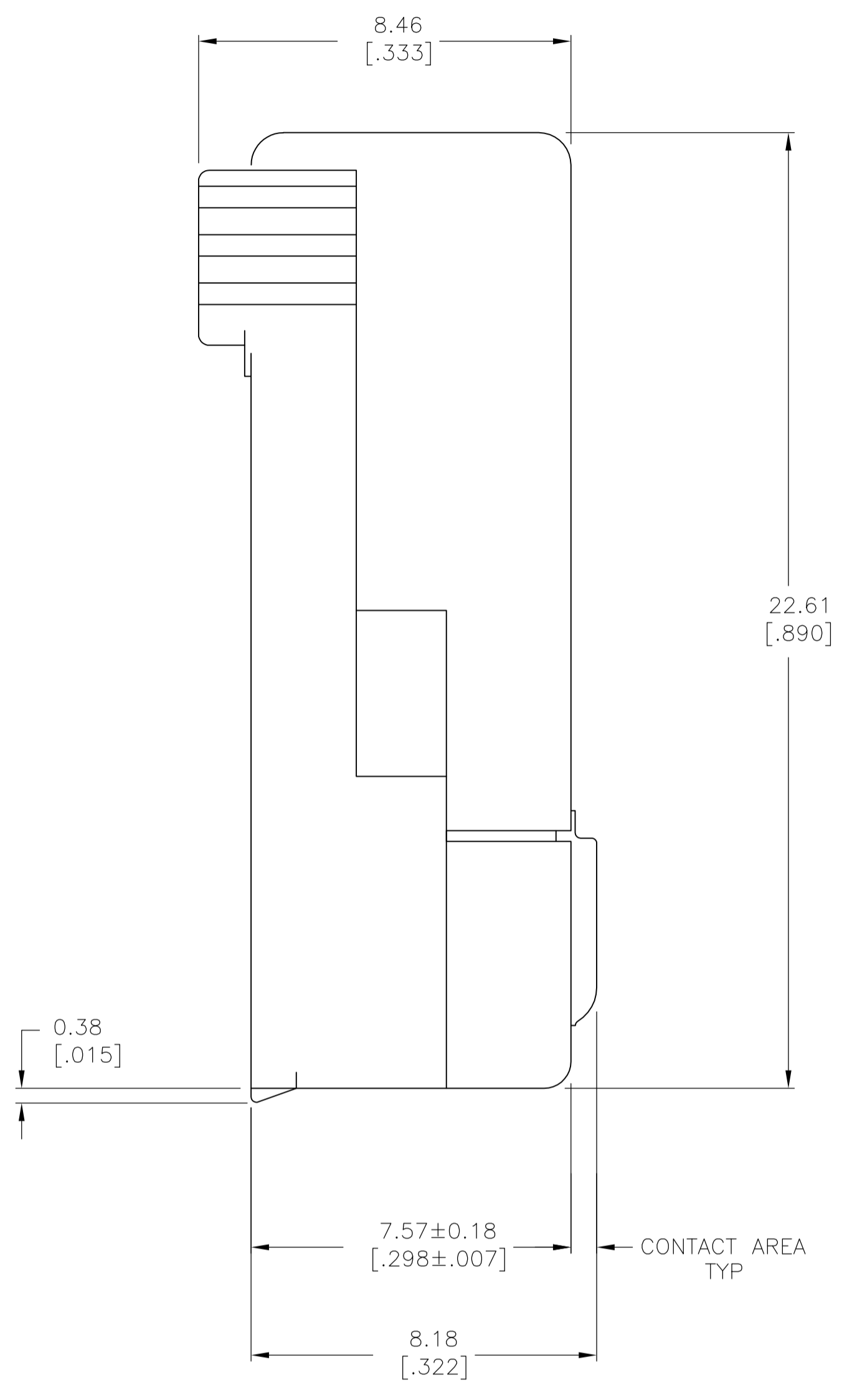
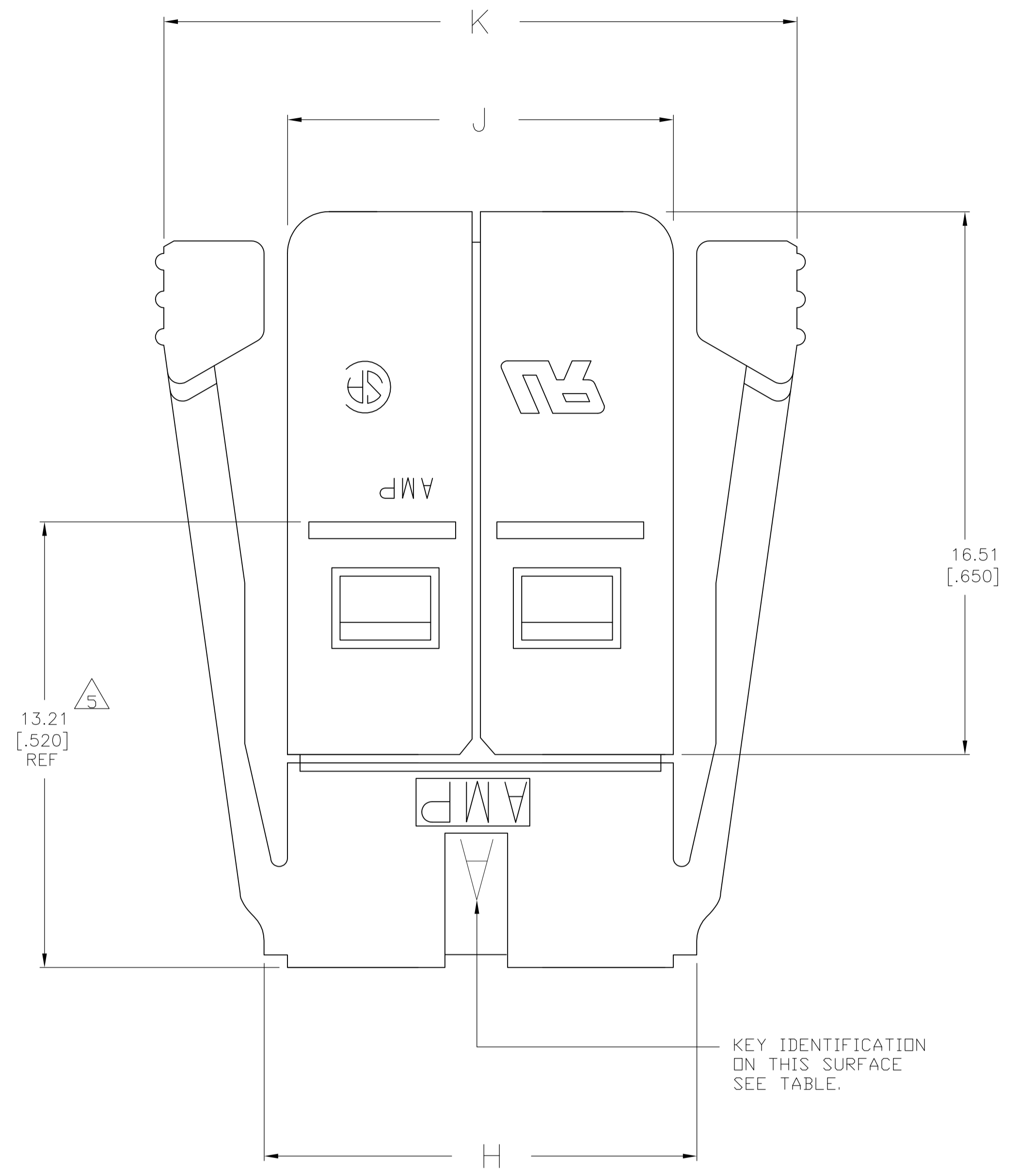


LOC		DIST		REVISIONS			
GP	00	REV	DATE	BY	CHK	APPV	
03		REVISED PER ECO-07-018152	06AUG07	BM		CR	



KEY IDENTIFICATION ON THIS SURFACE SEE TABLE.

- PREFIX AND SUFFIX NUMBERS MUST MATCH THOSE ON RECEPTACLE FOR PARTS TO MATE.
- MATERIAL:**
 HOUSING- POLYCARBONATE
 CONTACT- COPPER ALLOY
 SHIELD- BRASS
- FINISH:**
 HOUSING- SMOKE GRAY
 CONTACT- 0.00127[0.00050] MIN NICKEL OVER ENTIRE PART,
 0.00002[0.00001] GOLD FLASH OVER ENTIRE PART,
 0.00127[0.00050] MIN GOLD OVER CONTACT AREA.
 SHIELD- BRIGHT TIN 0.00076[0.00030] MIN OVER 0.00127[0.00050] MIN NICKEL.
- FOR TERMINATION OF CABLE WHOSE INDIVIDUAL CONDUCTORS HAVE AN INSULATION DIA OF 0.91[0.36] NOMINAL.
- INSERTION DEPTH INTO RECEPTACLE.
- FOR TERMINATION OF 26 OR 28 AWG, 7 STRANDED, FLAT RIBBON CABLE WITH 0.89[0.35] TO 0.96[0.38] O.D. PVC CONDUCTOR INSULATION. SEE 520822-1 FOR DETAIL.

KEY ID	NO OF POSN	G	H	J	K	E	5-1761187-3
	8	14.43 [0.568]	15.54 [0.612]	14.60 [0.575]	21.95 [0.864]	E	5-1761187-3
	4	9.35 [0.368]	10.46 [0.412]	9.53 [0.375]	16.87 [0.664]	E	5-1761187-1
OBsolete	4	9.35 [0.368]	10.46 [0.412]	9.53 [0.375]	16.87 [0.664]	D	4-1761187-1
	16	24.59 [0.968]	25.78 [1.015]	24.76 [0.975]	32.11 [1.264]	A	1-1761187-6
	4	9.35 [0.368]	10.46 [0.412]	9.53 [0.375]	16.87 [0.664]	A	1-1761187-1
KEY ID	NO OF POSN	G	H	J	K		

THIS DRAWING IS A CONTROLLED DOCUMENT.

DIMENSIONS: mm [INCHES]	TOLERANCES UNLESS OTHERWISE SPECIFIED:	0. PLC ± -	1. PLC ± -	2. PLC ± 0.25 [010]	3. PLC ± -	4. PLC ± -	ANGLES ± -
THIS DRAWING IS A CONTROLLED DOCUMENT. DIMENSIONS: mm [INCHES] TOLERANCES UNLESS OTHERWISE SPECIFIED: 0. PLC ± - 1. PLC ± - 2. PLC ± 0.25 [010] 3. PLC ± - 4. PLC ± - ANGLES ± -		DIN B. MCMASIER 26APR04 CHK C. ROHDE 26APR04 APD M. WALMSLEY 26APR04	Tyco Electronics Corporation Harrisburg, PA 17105-3608 NAME: PLUG ASSEMBLY, FLAT CABLE, 36 SERIES, SDL PRODUCT SPEC: 108-2047 APPLICATION SPEC: 114-2086	SIZE: A1 CAGE CODE: 00779 DRAWING NO: 1761187 WEIGHT: - CUSTOMER DRAWING	RESTRICTED TO: - SCALE: 10:1 SHEET: 1 OF 1 REV: 03		

X-ON Electronics

Largest Supplier of Electrical and Electronic Components

Click to view similar products for [Modular Connectors / Ethernet Connectors](#) category:

Click to view products by [TE Connectivity](#) manufacturer:

Other Similar products are found below :

[RJE231881317T](#) [MP1010RX-1000](#) [MP44RX-1000](#) [GAX-3-66](#) [GAX-8-62](#) [93606-0253](#) [GD-A-44](#) [GDCX-PA-66-50](#) [GDCX-PN-64](#) [GDCX-PN-66](#) [GDCX-PN-66-50](#) [GDLX-A-66](#) [GDLX-A-88](#) [GDLX-N-66](#) [GDLX-S-88K](#) [GDTX-S-88-50](#) [GDX-PA-1010](#) [GLX-N-1010M-BLK](#) [GLX-N-44M](#) [GLX-S-88M-BLK](#) [GMX-N-1010](#) [GMX-S-1010](#) [GMX-S-66](#) [GMX-SMT2-N-1010](#) [GMX-SMT2-N-64-50](#) [GMX-SMT2-S6-88](#) [GMX-SMT4-N-88](#) [GPX-2-64](#) [GRT1-BT1-5](#) [GSGX-N-2-88](#) [GSX-NS2-88-3.05](#) [GSX-NS2-88-3.05-50](#) [GSX-NS-88-3.05-30](#) [GSX-NS-88-3.05-50](#) [GSX-NS-88-3.68](#) [1-1775629-2](#) [GWLX-S-88-GR](#) [GWLX-S9-88-YG](#) [1300500326](#) [1300500227](#) [1300530003](#) [1300570002](#) [1324640-4](#) [RJ11FTVC2G](#) [RJ11FTVC2N](#) [RJFTVX2SA1G](#) [132764-001](#) [1400000](#) [1413176](#) [1413235](#)