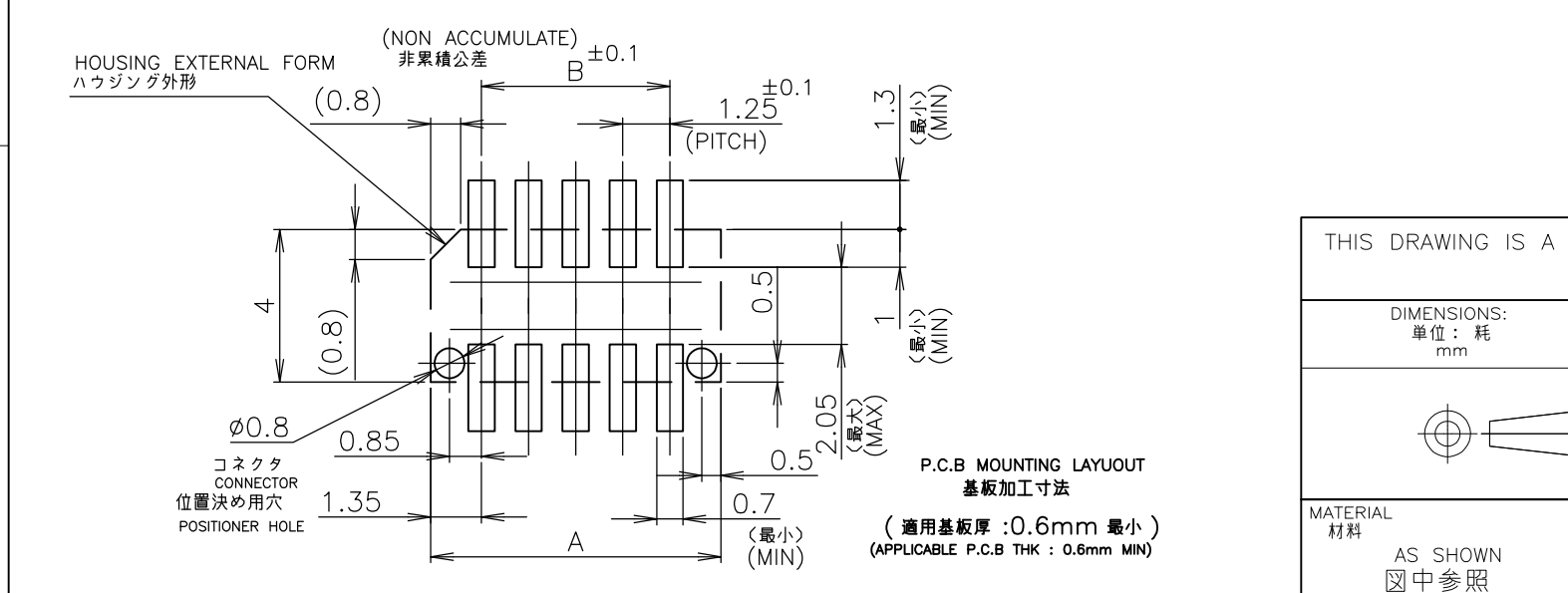
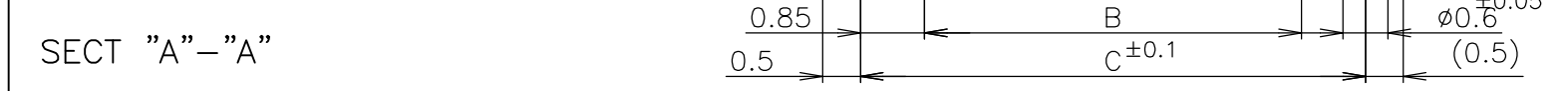
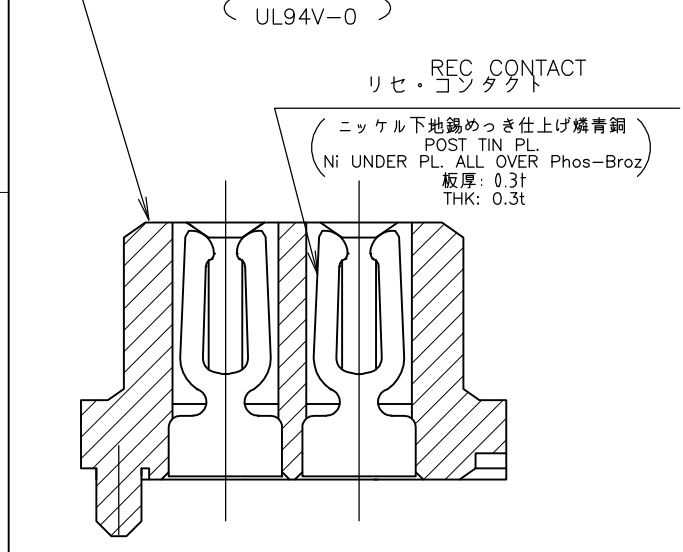
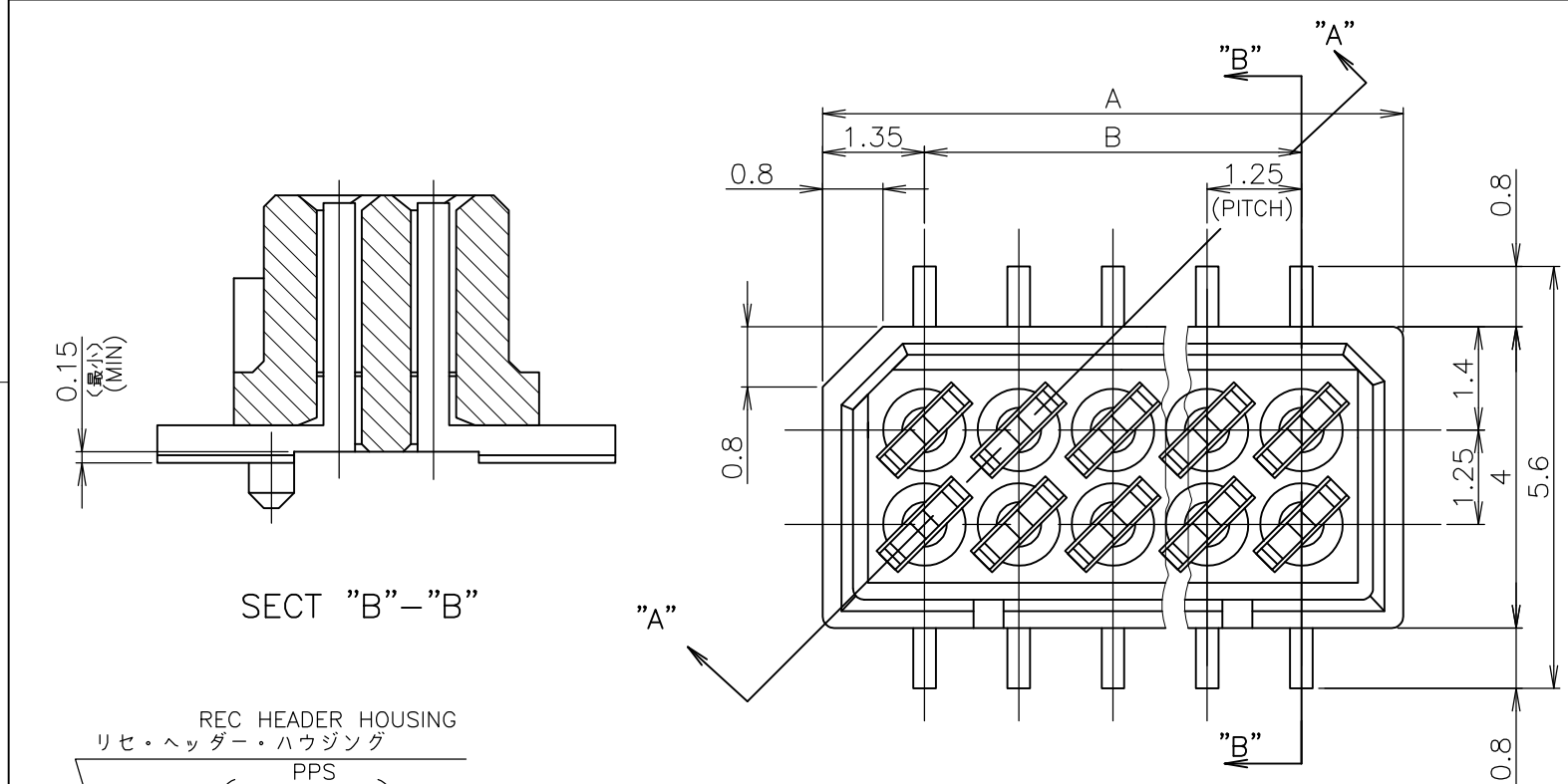


THIS DRAWING IS UNPUBLISHED. RELEASED FOR PUBLICATION ? . ? .
 © COPYRIGHT ? By Tyco Electronics Japan G.K. ALL RIGHTS RESERVED.

REVISIONS				
P	LTR	DESCRIPTION	DATE	DWN APVD
G		変更 ECR-16-003360	07MAR2017	WL SY

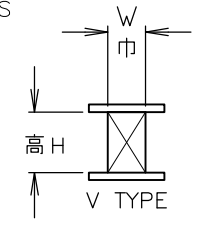


1 嵌合相手製品型番及び、嵌合時寸法は
 MATING COUNTER PART NUMBER AND DIMENSIONS
 表-1 参照のこと。
 AFTER MATING: SEE TABLE 1.

嵌合時寸法: 巾(mm)×高さ(mm)
 DIMENSIONS AFTER MATING: WIDE(mm) x HEIGHT(mm)

MATING COUNTER CONN 嵌合相手側コネクタ POST HDR ASSY		高さ H	REC HDR ASSY SMT V TYPE WITH BOSS X-176311-X	
製品型番	P/N			
DIP TYPE	X-174643-X	3.95	5.6 (巾W) x 5.0 (高さH)	
		5.95	5.6 (巾W) x 7.0 (高さH)	
	X-176320-X	8.85	5.6 (巾W) x 10.0 (高さH)	
X-176871-X	9.85	5.6 (巾W) x 11.0 (高さH)		
SMT TYPE	ボス無 WITHOUT BOSS ボス付 WITH BOSS	X-174645-X	3.95	5.6 (巾W) x 5.0 (高さH)
		X-174621-X	5.45	5.6 (巾W) x 6.5 (高さH)
	X-174645-X X-174821-X	5.95	5.6 (巾W) x 7.0 (高さH)	
		6.85	5.6 (巾W) x 8.0 (高さH)	
	X-176769-X X-176140-X	8.85	7.0 (巾W) x 10.0 (高さH)	
		9.35	7.0 (巾W) x 10.5 (高さH)	
	X-178041-X X-176757-X	9.85	7.0 (巾W) x 11.0 (高さH)	

TABLE 1 SMT TYPEは、巾及び高さ寸法に
 SMT TYPE INCLUDE DIMENSIONS
 半田付タイン部寸法を含みます。
 OF SOLDER DIP TIME.



OBSOLETE	19.20	17.50	20.20	30	6-	-0
	16.70	15.00	17.70	26	5-	-6
	15.45	13.75	16.45	24	5-	-4
OBSOLETE	14.20	12.50	15.20	22	5-	-2
黒色 BLACK	10.45	8.75	11.45	16	4-	176311-6
色別 COLOR	C	B	A	極数 Pos.		型番 P/N

THIS DRAWING IS A CONTROLLED DOCUMENT.

DIMENSIONS: 単位: 珪 mm	TOLERANCES UNLESS OTHERWISE SPECIFIED: 一般公差	DWN S.KANEKI 22JUN89	TE Connectivity
	0-PLC ± 1-PLC ± 2-PLC ± 3-PLC ± 4-PLC ± ANGLES ±	CHK J.TANIGAWA 22JUN89	
		APVD N.ONOUE 22JUN89	
MATERIAL 材料	FINISH 仕上	NAME 名称	

AS SHOWN 図中参照 AS SHOWN 図中参照

PRODUCT SPEC 製品規格
 APPLICATION SPEC 取付適用規格

WEIGHT 0.000000

CUSTOMER DRAWING

SIZE A3 CAGE CODE 00779 DRAWING NO. 176311 RESTRICTED TO

SCALE 10:1 SHEET 1 OF 1 REV G

X-ON Electronics

Largest Supplier of Electrical and Electronic Components

Click to view similar products for [Board to Board & Mezzanine Connectors](#) category:

Click to view products by [TE Connectivity](#) manufacturer:

Other Similar products are found below :

[10135583-642402LF](#) [89885-310LF](#) [589158040000018](#) [6-1393048-0](#) [68683-613](#) [MDF7-12DP-2.54DSA](#) [MDF7-18P-2.54DSA\(01\)](#) [MDF7-20DP-2.54DSA](#) [MDF7-26D-2.54DSA\(55\)](#) [MDF7-3P-2.54DSA\(01\)](#) [MDF7B-3P-2.54DSA\(55\)](#) [MDF7C-11P-2.54DSA\(55\)](#) [MDF7C-18P-2.54DSA\(55\)](#) [MDF7C-5P-2.54DSA\(01\)](#) [MDF7P-5P-2.54DSA\(55\)](#) [75234-0516](#) [FCN-230C068-11](#) [FCN-268F012-G/BD](#) [FCN-268F036-G/BD](#) [FCN-268M012-G/0D](#) [FCN-268M024-G/1D](#) [FCN-360C008-C](#) [FCN-360C040-C](#) [FCN-723J004/1](#) [MIS-048-01-F-D-DP-K](#) [832-10-034-10-001000](#) [93696-325LF](#) [11828-1FA](#) [AXK630345P](#) [18097-0013](#) [ICA-328STT](#) [2007042-2](#) [304400-2](#) [FCN-214Q030-G/0](#) [FCN-215Q040-G/0](#) [FCN-230C068-ESA](#) [FCN-234P048-G/0](#) [FCN-235D050-G/C](#) [FCN-360A3](#) [FCN-360C040-B](#) [210-93-314-41-105000](#) [2-22603-0](#) [379-064-521-202](#) [MDF7-12P-2.54DSA\(01\)](#) [MDF7-16P-2.54DS\(56\)](#) [MDF7-40DP-2.54DSA\(55\)](#) [MDF7-8P-2.54DSA\(55\)](#) [MDF7B-16P-2.54DSA\(55\)](#) [AXG720047](#) [5031084030](#)