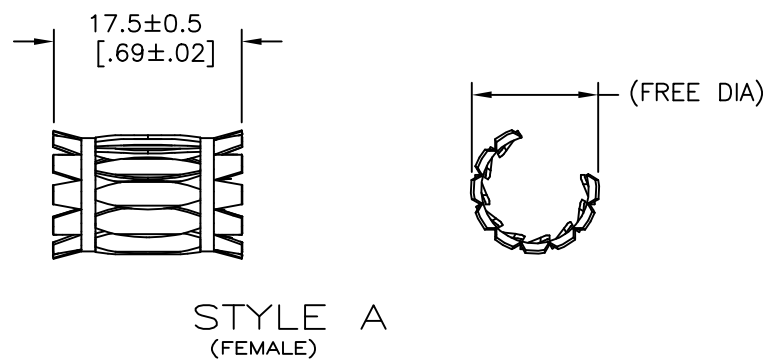
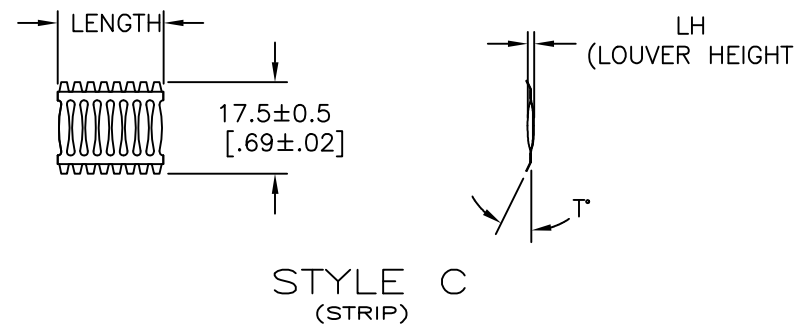


THIS DRAWING IS UNPUBLISHED. RELEASED FOR PUBLICATION  
COPYRIGHT - By - ALL RIGHTS RESERVED.

| REVISIONS |     |                           |           |      |
|-----------|-----|---------------------------|-----------|------|
| P         | LTR | DESCRIPTION               | DATE      | APVD |
| H         |     | REVISED PER ECO-16-005106 | 28APR2016 | NK   |
| J         |     | REVISED PER ECO-17-013721 | 15NOV2017 | RS   |
| K         |     | REVISED PER ECO-18-002097 | 14FEB2018 | RS   |



- 1 FINISH-GOLD PLATE 2.03-2.54µm [80-100µ"] THICK
- 2 FINISH-NICKEL PLATE 1.02-2.03µm [40-80µ"] THICK
- 3 FINISH-NICKEL PLATE 1.27-1.91µm [50-75µ"] THICK
- 4 FINISH-TIN PLATE 7.62-15.24µm [300-700µ"] THICK
- 5 FINISH-SILVER PLATE 18.78µm [700-1000µ"] THICK
- 6 FINISH-GOLD PLATE 0.25-0.51µm [10-20µ"] THICK
- 7 FINISH-SILVER PLATE 5.08-10.16µm [200-400µ"] THICK
- 8
- 9
- 10
- 11 PLATING NOTES ARE TO BE INTERPRETED AS FOLLOWS:  
5-7 AS 5 OVER 7.
- 12 MATERIAL-CDA172 BeCu.
- 13 MATERIAL-STAINLESS STEEL.
- △ OBSOLETE PARTS: OBSOLETE CIS STREAMLINING PER D.RENAUD/D.SINISI

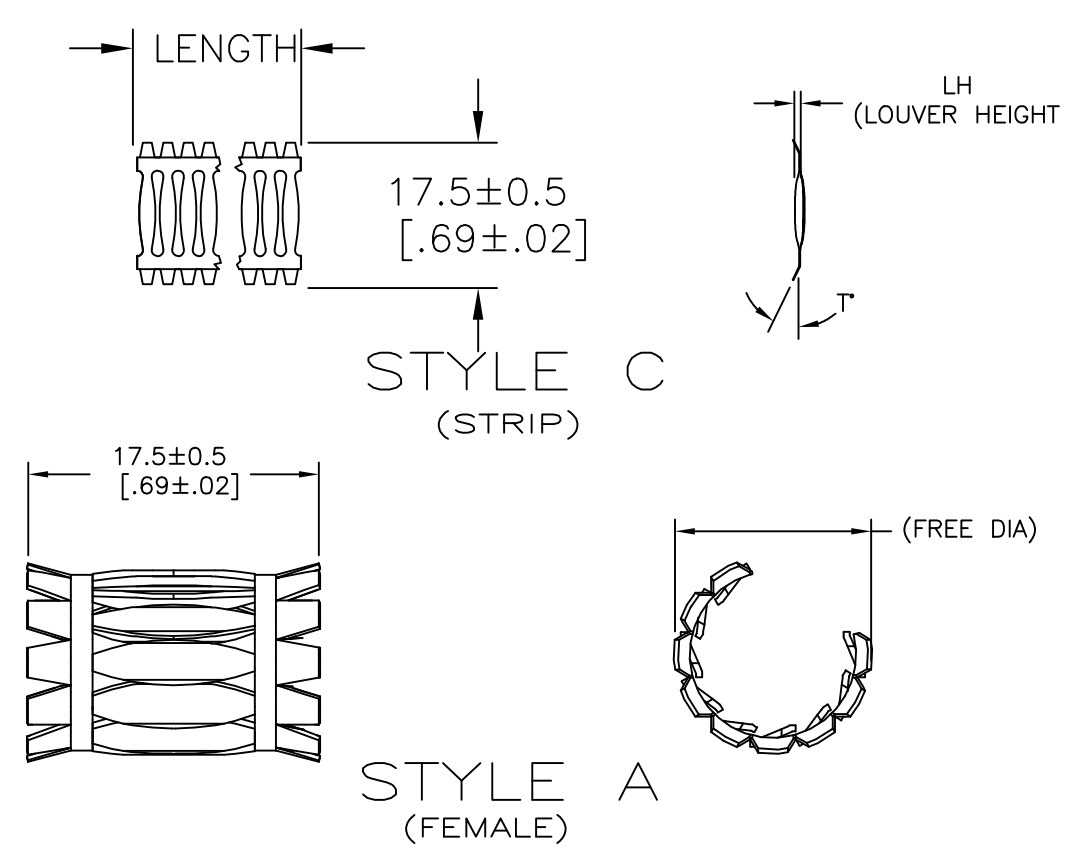
| (FREE DIA) | LH     | STYLE | T* | MATING PIN Ø REF | NUM LOUV | PLATING | MAT'L NOTE | MAT'L THK  | REF         | PART NUMBER |          |   |
|------------|--------|-------|----|------------------|----------|---------|------------|------------|-------------|-------------|----------|---|
| [.45]      | [.050] | A     | 15 | 9.01[.355]       | 117-2    | 12      | 0.15[.006] | 01210      | 5-192013-0  | OBSOLETE    |          |   |
| [.52]      | [.046] | A     | 15 | 8.97[.353]       | 13UNPL   | 12      | 0.08[.003] | 01126      | 4-192013-9  | △           |          |   |
| [.42]      | [.050] | A     | 15 | 7.92[.312]       | 10UNPL   | 13      | 0.15[.006] | 01116      | 4-192013-8  | △           |          |   |
| [.42]      | [.052] | A     | 15 | 7.92[.312]       | 107-2    | 12      | 0.20[.008] | 01118      | 4-192013-7  | OBSOLETE    |          |   |
| [.42]      | [.050] | A     | 15 | 7.92[.312]       | 106-2    | 12      | 0.15[.006] | 01217      | 4-192013-6  | OBSOLETE    | △        |   |
| [.42]      | [.050] | A     | 15 | 7.92[.312]       | 107-2    | 12      | 0.15[.006] | 01117      | 4-192013-5  |             |          |   |
| [.42]      | [.050] | A     | 15 | 7.92[.312]       | 10UNPL   | 12      | 0.15[.006] | 01266      | 4-192013-4  | OBSOLETE    | △        |   |
| [.42]      | [.050] | A     | 15 | 7.92[.312]       | 107-2    | 12      | 0.10[.004] | 01281      | 4-192013-3  | OBSOLETE    |          |   |
|            |        | C     | 15 | --               | 877-2    | 12      | 0.15[.006] | 01030      | 4-192013-2  | OBSOLETE    |          |   |
| [1.48]     | [.052] | A     | 45 | 31.8[1.250]      | 397-2    | 12      | 0.20[.008] | 01219      | 4-192013-1  | OBSOLETE    |          |   |
| [1.48]     | [.052] | A     | 45 | 31.8[1.250]      | 39UNPL   | 12      | 0.20[.008] | 01218      | 4-192103-0  | △           |          |   |
| [1.48]     | [.050] | A     | 45 | 31.8[1.250]      | 397-2    | 12      | 0.15[.006] | 01209      | 3-192013-9  | OBSOLETE    |          |   |
| [1.45]     | [.050] | A     | 45 | 30.1[1.187]      | 387-2    | 12      | 0.15[.006] | 01193      | 3-192013-8  |             |          |   |
| [1.21]     | [.050] | A     | 45 | 26.2[1.032]      | 337-2    | 12      | 0.15[.006] | 01214      | 3-192013-7  | OBSOLETE    | △        |   |
| [1.15]     | [.050] | A     | 45 | 25.0[.984]       | 317-2    | 12      | 0.15[.006] | 01319      | 3-192013-6  | OBSOLETE    |          |   |
| [1.02]     | [.050] | A     | 45 | 21.6[.850]       | 277-2    | 12      | 0.15[.006] | 01208      | 3-192013-5  |             |          |   |
| [1.05]     | [.050] | A     | 45 | 21.4[.842]       | 287-2    | 12      | 0.15[.006] | 01165      | 3-192013-4  | OBSOLETE    |          |   |
| [.92]      | [.052] | A     | 45 | 19.1[.750]       | 247-2    | 12      | 0.20[.008] | 01300      | 3-192013-3  | △           |          |   |
|            | [.050] | C     | 45 |                  | 555-2    | 12      | 0.15[.006] | 01041      | 3-192013-2  |             |          |   |
|            | [.050] | C     | 45 |                  | 55UNPL   | 12      | 0.15[.006] | 01044      | 3-192013-1  |             |          |   |
|            |        |       |    |                  |          |         |            |            | 3-192013-0  | OBSOLETE    |          |   |
|            | [.050] | C     | 15 |                  | 487-2    | 12      | 0.15[.006] | 01043      | 2-192013-9  |             |          |   |
|            | [.050] | C     | 15 |                  | 417-2    | 12      | 0.15[.006] | 01027      | 2-192013-8  |             |          |   |
|            | [.050] | C     | 15 |                  | 417-2    | 12      | 0.10[.004] | 01028      | 2-192013-7  |             |          |   |
|            | [.050] | C     | 15 |                  | 407-2    | 12      | 0.15[.006] | 01243      | 2-192013-6  | OBSOLETE    |          |   |
|            | [.050] | C     | 15 |                  | 407-2    | 12      | 0.10[.004] | 01047      | 2-192013-5  |             |          |   |
|            | [.050] | C     | 45 |                  | 357-2    | 12      | 0.15[.006] | 01033      | 2-192013-4  | △           |          |   |
|            | [.050] | C     | 15 |                  | 357-2    | 12      | 0.15[.006] | 01032      | 2-192013-3  |             |          |   |
|            | [.050] | C     | 15 |                  | 357-2    | 12      | 0.10[.004] | 01299      | 2-192013-2  |             |          |   |
|            |        |       |    |                  |          |         |            |            | 2-192013-1  | OBSOLETE    |          |   |
|            |        |       |    |                  |          |         |            |            | 2-192013-0  | OBSOLETE    |          |   |
|            | [.050] | C     | 15 |                  | 337-2    | 12      | 0.15[.006] | 01026      | 1-192013-9  | OBSOLETE    |          |   |
|            | [.050] | C     | 15 |                  | 337-2    | 12      | 0.10[.004] | 01025      | 1-192013-8  |             |          |   |
|            |        |       |    |                  |          |         |            |            | 1-192013-7  | △           |          |   |
|            |        | C     | 15 |                  | --       | 207-2   | 12         | 0.15[.006] | 01035       | 1-192013-6  | OBSOLETE |   |
|            | [.050] | C     | 15 |                  | --       | 194     | 12         | 0.15[.006] | 01051       | 1-192013-5  | OBSOLETE | △ |
|            |        | C     | 15 |                  | --       | 197-2   | 12         | 0.15[.006] | 01031       | 1-192013-4  | OBSOLETE |   |
|            | [.050] | C     | 15 |                  | --       | 177-2   | 12         | 0.15[.006] | 01059       | 1-192013-3  | OBSOLETE |   |
|            | [.050] | C     | 15 |                  | --       | 147-2   | 12         | 0.15[.006] | 01053       | 1-192013-2  |          |   |
|            | [.050] | C     | 15 |                  | --       | 134     | 12         | 0.15[.006] | 01065       | 1-192013-1  | △        |   |
|            | [.050] | C     | 15 |                  | --       | 137-2   | 12         | 0.15[.006] | 01077       | △1-192013-0 |          |   |
|            | [.050] | C     | 15 |                  | --       | 127-2   | 12         | 0.15[.006] | 01055       | △1-192013-9 |          |   |
| OBSOLETE   |        |       |    |                  |          |         |            |            |             | △1-192013-8 |          |   |
|            | [.050] | C     | 15 |                  | --       | 121-3   | 12         | 0.10[.004] | 01069       | △1-192013-7 |          |   |
|            | [.050] | C     | 15 |                  | --       | 117-2   | 12         | 0.15[.006] | 01057       | △1-192013-6 |          |   |
|            | [.050] | C     | 15 |                  | --       | 104     | 12         | 0.15[.006] | 01056       | △1-192013-5 |          |   |
|            | [.050] | C     | 15 |                  | --       | 107-2   | 12         | 0.15[.006] | △1-192013-4 |             |          |   |
|            | [.050] | C     | 15 |                  | --       | 101-2   | 12         | 0.10[.004] | 01046       | △1-192013-3 |          |   |
|            | [.050] | C     | 15 |                  | --       | 97-2    | 12         | 0.15[.006] | 01081       | △1-192013-2 |          |   |
|            | [.050] | C     | 15 |                  | --       | 57-2    | 12         | 0.15[.006] | 01045       | △1-192013-1 |          |   |
| (FREE DIA) | LH     | STYLE | T* | MATING PIN Ø REF | NUM LOUV | PLATING | MAT'L NOTE | MAT'L THK  | REF         | PART NUMBER |          |   |

|   |  |                                  |                             |                    |
|---|--|----------------------------------|-----------------------------|--------------------|
| THIS DRAWING IS A CONTROLLED DOCUMENT.  |  | DWN<br>RA JAYNE<br>07-01-91      | <b>STE</b> TE Connectivity  |                    |
| DIMENSIONS:<br>mm [INCHES]  |  | CHK<br>G.STEINHAUER<br>07-01-91  |                             |                    |
| TOLERANCES UNLESS OTHERWISE SPECIFIED:<br>0 PLC ± -<br>1 PLC ± -<br>2 PLC ± 0.5 [0.02]<br>3 PLC ± 0.25 [0.010]<br>4 PLC ± -<br>ANGLES ± - |  | APVD<br>G.STEINHAUER<br>07-01-91 | NAME<br>CONTACT BAND,FEMALE |                    |
| MATERIAL<br>SEE TABLE   |  | PRODUCT SPEC<br>APPLICATION SPEC | SIZE<br>A2                  | CAGE CODE<br>00779 |
|   |  | WEIGHT<br>-                      | DRAWING NO<br>C=192013      | RESTRICTED TO<br>- |
| CUSTOMER DRAWING  |  |                                  | SCALE<br>NTS                | SHEET<br>1 of 2    |
|   |  |                                  |                             | REV<br>K           |

THIS DRAWING IS UNPUBLISHED. RELEASED FOR PUBLICATION ALL RIGHTS RESERVED.

| (FREE DIA) | LH   | STYLE | T  | MATING PIN  | t  | REF  | NUM LOUV | PLATING    | MAT'L NOTE | MAT'L THK | REF      | PART NUMBER |          |
|------------|------|-------|----|-------------|----|------|----------|------------|------------|-----------|----------|-------------|----------|
| [.89]      | .052 | A     | 15 | 19.1[.750]  | 23 | UNPL | 12       | 0.20[.008] | 01248      | 9         | 192013-9 |             |          |
| [.92]      | .050 | A     | 15 | 19.1[.750]  | 24 | UNPL | 13       | 0.15[.006] | 01203      | 9         | 192013-8 |             | △        |
| [.92]      | .050 | A     | 15 | 19.1[.750]  | 24 | 6-2  | 12       | 0.15[.006] | 01234      | 9         | 192013-7 |             | OBSOLETE |
| [.92]      | .050 | A     | 15 | 19.1[.750]  | 24 | 7-2  | 12       | 0.15[.006] | 01154      | 9         | 192013-6 |             |          |
| [.92]      | .050 | A     | 15 | 19.1[.750]  | 24 | UNPL | 12       | 0.15[.006] | 01152      | 9         | 192013-5 |             | OBSOLETE |
|            |      |       |    |             |    |      |          |            |            | 9         | 192013-4 |             | OBSOLETE |
| [.89]      | .050 | A     | 15 | 19.1[.750]  | 23 | 7-2  | 12       | 0.15[.006] | 01255      | 9         | 192013-3 |             |          |
| [1.75]     | .050 | A     | 15 | 19.1[.750]  | 23 | 7-2  | 12       | 0.10[.004] | 01279      | 9         | 192013-2 |             | △        |
| [.92]      | .046 | A     | 15 | 19.1[.750]  | 24 | 7-2  | 12       | 0.08[.003] | 01151      | 9         | 192013-1 |             |          |
| [.92]      | .046 | A     | 15 | 19.1[.750]  | 24 | UNPL | 12       | 0.08[.003] | 01297      | 9         | 192013-0 |             | OBSOLETE |
| [.85]      | .050 | A     | 15 | 17.4[.685]  | 22 | 7-2  | 12       | 0.15[.006] | 01223      | 8         | 192013-9 |             | OBSOLETE |
| [.80]      | .052 | A     | 15 | 15.88[.625] | 20 | 7-2  | 12       | 0.20[.008] | 01245      | 8         | 192013-8 |             | △        |
| [.80]      | .052 | A     | 15 | 15.88[.625] | 20 | UNPL | 12       | 0.20[.008] | 01289      | 8         | 192013-7 |             | OBSOLETE |
| [.76]      | .052 | A     | 15 | 15.88[.625] | 19 | 7-2  | 12       | 0.20[.008] | 01259      | 8         | 192013-6 |             | OBSOLETE |
| [.76]      | .052 | A     | 15 | 15.88[.625] | 19 | UNPL | 12       | 0.20[.008] | 01258      | 8         | 192013-5 |             | △        |
| [.83]      | .050 | A     | 15 | 15.88[.625] | 21 | 7-2  | 12       | 0.15[.006] | 01207      | 8         | 192013-4 |             | OBSOLETE |
| [.80]      | .050 | A     | 15 | 15.88[.625] | 20 | 6-2  | 12       | 0.15[.006] | 01317      | 8         | 192013-3 |             |          |
| [.80]      | .050 | A     | 15 | 15.88[.625] | 20 | 7-2  | 12       | 0.15[.006] | 01148      | 8         | 192013-2 |             |          |
| [.76]      | .050 | A     | 15 | 15.88[.625] | 19 | 7-2  | 12       | 0.15[.006] | 01311      | 8         | 192013-1 |             | △        |
| [1.50]     | .050 | A     | 15 | 15.88[.625] | 20 | 7-2  | 12       | 0.10[.004] | 01273      | 8         | 192013-0 |             |          |
| [.80]      | .050 | A     | 15 | 15.57[.613] | 20 | 7-2  | 12       | 0.15[.006] | 01202      | 7         | 192013-9 |             |          |
| [.73]      | .052 | A     | 15 | 14.27[.562] | 18 | 7-2  | 12       | 0.20[.008] | 01143      | 7         | 192013-8 |             |          |
| [.45]      | .050 | A     | 15 | 9.01[.355]  | 11 | UNPL | 12       | 0.15[.006] |            | 7         | 192013-7 |             |          |
| [.73]      | .050 | A     | 15 | 14.0[.551]  | 18 | 7-2  | 12       | 0.15[.006] | 01264      | 7         | 192013-6 |             |          |
| [.70]      | .050 | A     | 15 | 14.0[.551]  | 17 | 7-2  | 12       | 0.15[.006] | 01141      | 7         | 192013-5 |             | OBSOLETE |
| [.69]      | .052 | A     | 15 | 12.7[.500]  | 16 | 7-2  | 12       | 0.20[.008] | 01137      | 7         | 192013-4 |             | △        |
| [.69]      | .052 | A     | 15 | 12.7[.500]  | 16 | UNPL | 12       | 0.20[.008] | 01247      | 7         | 192013-3 |             | OBSOLETE |
| [.69]      | .050 | A     | 15 | 12.7[.500]  | 16 | UNPL | 13       | 0.15[.006] | 01244      | 7         | 192013-2 |             |          |
| [.69]      | .050 | A     | 15 | 12.7[.500]  | 16 | 7-2  | 12       | 0.15[.006] | 01206      | 7         | 192013-1 |             |          |
| [.69]      | .046 | A     | 15 | 12.7[.500]  | 16 | 7-2  | 12       | 0.08[.003] | 01275      | 7         | 192013-0 |             | OBSOLETE |
| [.64]      | .052 | A     | 15 | 11.99[.472] | 15 | 7-2  | 12       | 0.20[.008] | 01304      | 6         | 192013-9 |             | OBSOLETE |
| [.55]      | .050 | A     | 15 | 11.99[.472] | 14 | UNPL | 13       | 0.15[.006] | 01073      | 6         | 192013-8 |             | OBSOLETE |
| [.64]      | .050 | A     | 15 | 11.99[.472] | 15 | 7-2  | 12       | 0.15[.006] | 01135      | 6         | 192013-7 |             |          |
| [.64]      | .050 | A     | 15 | 11.99[.472] | 15 | UNPL | 12       | 0.15[.006] | 01134      | 6         | 192013-6 |             |          |
| [1.25]     | .050 | A     | 15 | 11.99[.472] | 15 | 7-2  | 12       | 0.10[.004] | 01286      | 6         | 192013-5 |             |          |
| [.80]      | .050 | A     | 15 | 15.88[.625] | 20 | UNPL |          | 0.15[.006] |            | 6         | 192013-4 |             | △        |
| [.67]      | .046 | A     | 15 | 12.7[.500]  | 16 | UNPL |          | 0.08[.003] |            | 6         | 192013-3 |             |          |
| [.53]      | .050 | A     | 15 | 10.0[.394]  | 13 | UNPL |          | 0.15[.006] |            | 6         | 192013-2 |             |          |
| [.55]      | .052 | A     | 15 | 11.1[.437]  | 14 | 7-2  | 12       | 0.20[.008] | 01131      | 6         | 192013-1 |             | OBSOLETE |
| [.55]      | .050 | A     | 15 | 11.1[.437]  | 14 | UNPL | 13       | 0.15[.006] | 01246      | 6         | 192013-0 |             |          |
| [.55]      | .050 | A     | 15 | 11.1[.437]  | 14 | 7-2  | 12       | 0.15[.006] | 01211      | 5         | 192013-9 |             |          |
| [.55]      | .050 | A     | 15 | 11.02[.434] | 14 | 6-2  | 12       | 0.15[.006] | 01128      | 5         | 192013-8 |             |          |
| [.55]      | .050 | A     | 15 | 11.02[.434] | 14 | UNPL | 12       | 0.15[.006] | 01216      | 5         | 192013-7 |             | △        |
| [.52]      | .050 | A     | 15 | 10.0[.394]  | 13 | 6-2  | 12       | 0.15[.006] | 01272      | 5         | 192013-6 |             | OBSOLETE |
| [.52]      | .050 | A     | 15 | 10.0[.394]  | 13 | 7-2  | 12       | 0.15[.006] | 01205      | 5         | 192013-5 |             | OBSOLETE |
| [.50]      | .050 | A     | 15 | 9.53[.375]  | 12 | 7-2  | 12       | 0.15[.006] | 01124      | 5         | 192013-4 |             |          |
| [.48]      | .050 | A     |    | 9.53[.375]  | 12 | 7-2  | 12       | 0.10[.004] | 01268      | 5         | 192013-3 |             |          |
| [.48]      | .052 | A     | 15 | 9.07[.357]  | 12 | 7-2  | 12       | 0.20[.008] | 01122      | 5         | 192013-2 |             | △        |
| [.45]      | .050 | A     | 15 | 9.01[.355]  | 11 | 6-2  | 12       | 0.15[.006] | 01121      | 5         | 192013-1 |             | OBSOLETE |

| REVISIONS |     |             |      |      |
|-----------|-----|-------------|------|------|
| P         | LTR | DESCRIPTION | DATE | APVD |
| -         | -   | SEE SHEET 1 | -    | -    |



192013

B

A

|   |  |                                   |                              |                    |
|---|--|-----------------------------------|------------------------------|--------------------|
| THIS DRAWING IS A CONTROLLED DOCUMENT.  |  | DWN<br>RA JAYNE<br>07-01-91       |                              |                    |
| DIMENSIONS:<br>mm [INCHES]  |  | CHK<br>G. STEINHAUER<br>07-01-91  |                              |                    |
| TOLERANCES UNLESS OTHERWISE SPECIFIED:  |  | APVD<br>G. STEINHAUER<br>07-01-91 | NAME<br>CONTACT BAND, FEMALE |                    |
| 0 PLC ± -<br>1 PLC ± -<br>2 PLC ± 0.5 [.02]<br>3 PLC ± 0.25 [.010]<br>4 PLC ± -<br>ANGLES ± - |  | PRODUCT SPEC                      | RESTRICTED TO                |                    |
| MATERIAL<br>SEE TABLE   |  | APPLICATION SPEC                  | SIZE<br>A2                   | CAGE CODE<br>00779 |
| FINISH<br>SEE TABLE   |  | WEIGHT                            | DRAWING NO<br>C=192013       | SCALE<br>NTS       |
|   |  | CUSTOMER DRAWING                  | SHEET<br>2 of 2              | REV<br>K           |

## X-ON Electronics

Largest Supplier of Electrical and Electronic Components

*Click to view similar products for [Heavy Duty Power Connectors](#) category:*

*Click to view products by [TE Connectivity](#) manufacturer:*

Other Similar products are found below :

[1424439](#) [1424438](#) [09330062652](#) [2-8675P1](#) [605601-1](#) [6340G1](#) [6341G1](#) [6360G1](#) [6373G1](#) [6374g2](#) [6396G1](#) [647757-1](#) [66394-4](#) [6643411-1](#)  
[6646058-2](#) [6646137-1](#) [6646138-1](#) [6646348-1](#) [6646479-1](#) [6646608-1](#) [6646786-1](#) [6646940-1](#) [6651091-1](#) [6651525-1](#) [6651529-1](#) [6651778-1](#)  
[6651788-1](#) [696465-1](#) [696475-1](#) [73000005059](#) [73000005349](#) [73000005642](#) [73080255059](#) [73080965046](#) [765-15-0080A](#) [765-16-0080B](#)  
[789.700-44](#) [789.700-54](#) [80-1010](#) [80-9](#) [827381-1](#) [829992-1](#) [902-77-02113](#) [PL00U-301-10D10](#) [PM103MOOLOO](#) [PM16S1620S32-50](#)  
[PM212MOOLOO](#) [PM309FOOLOO](#) [PM324FOOLCH](#) [PMHPAF11S03](#)