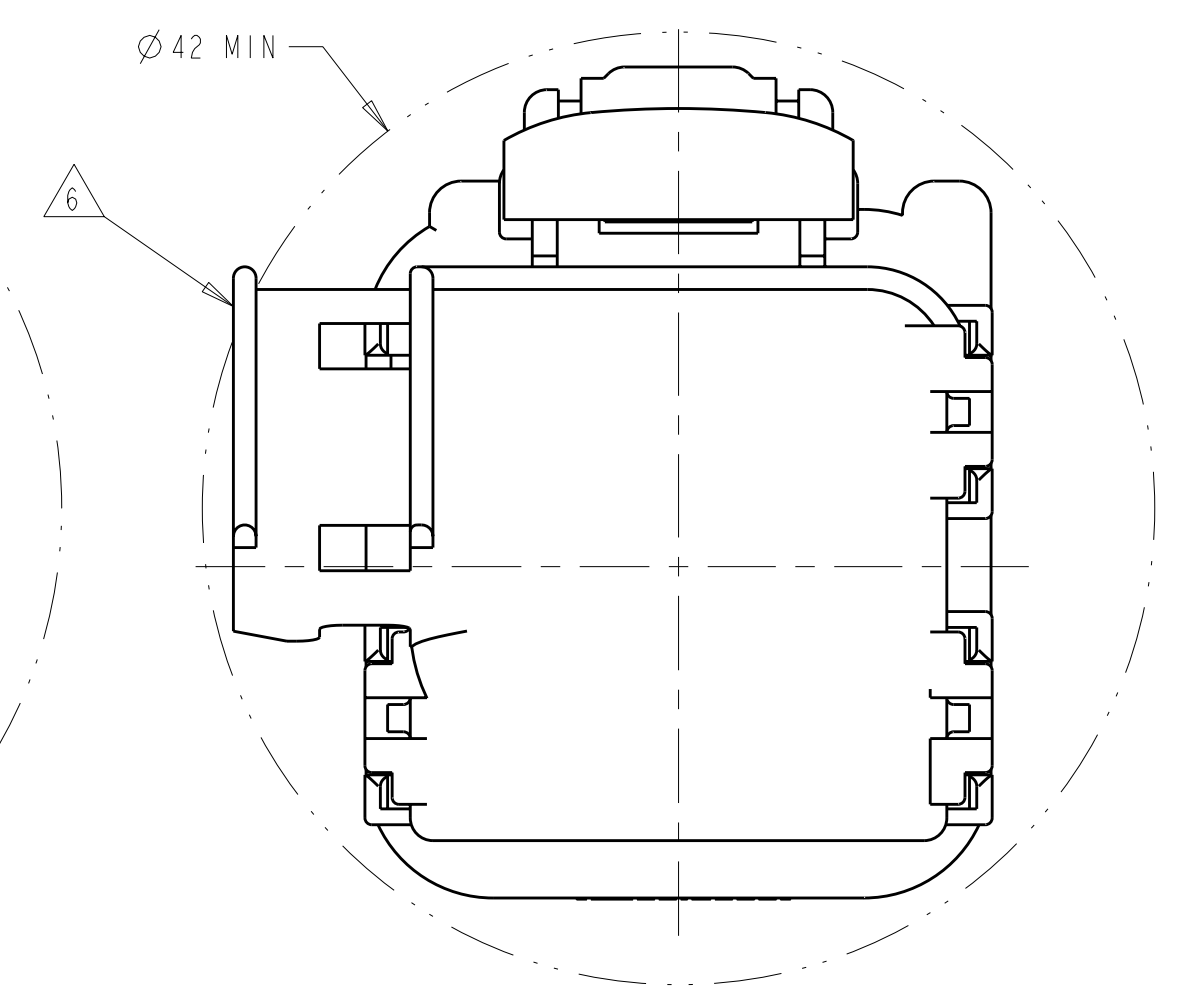
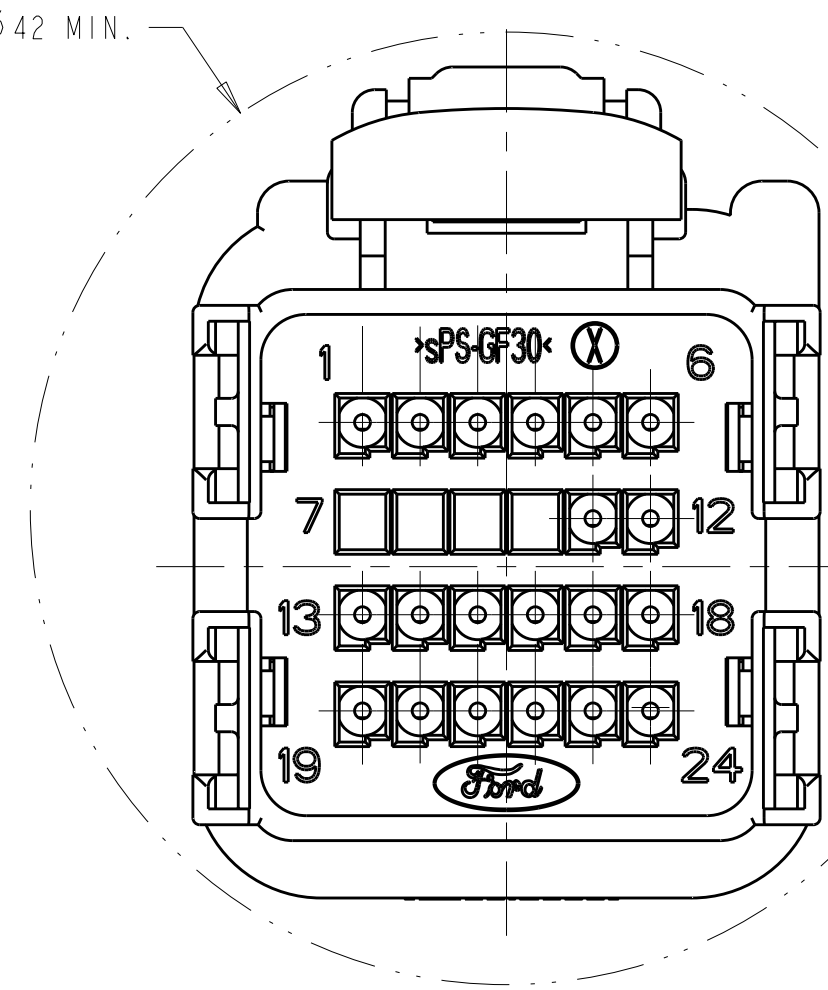
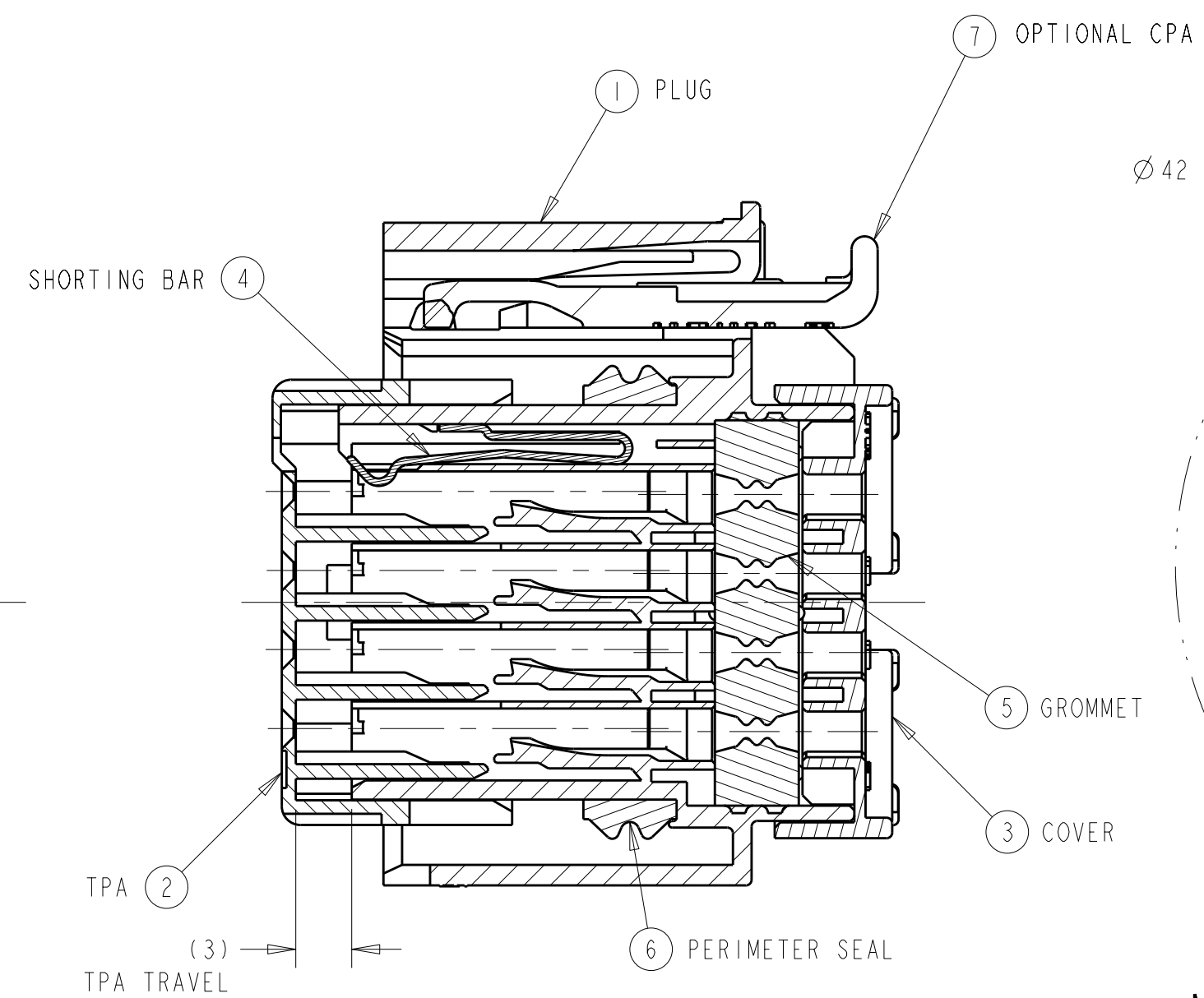
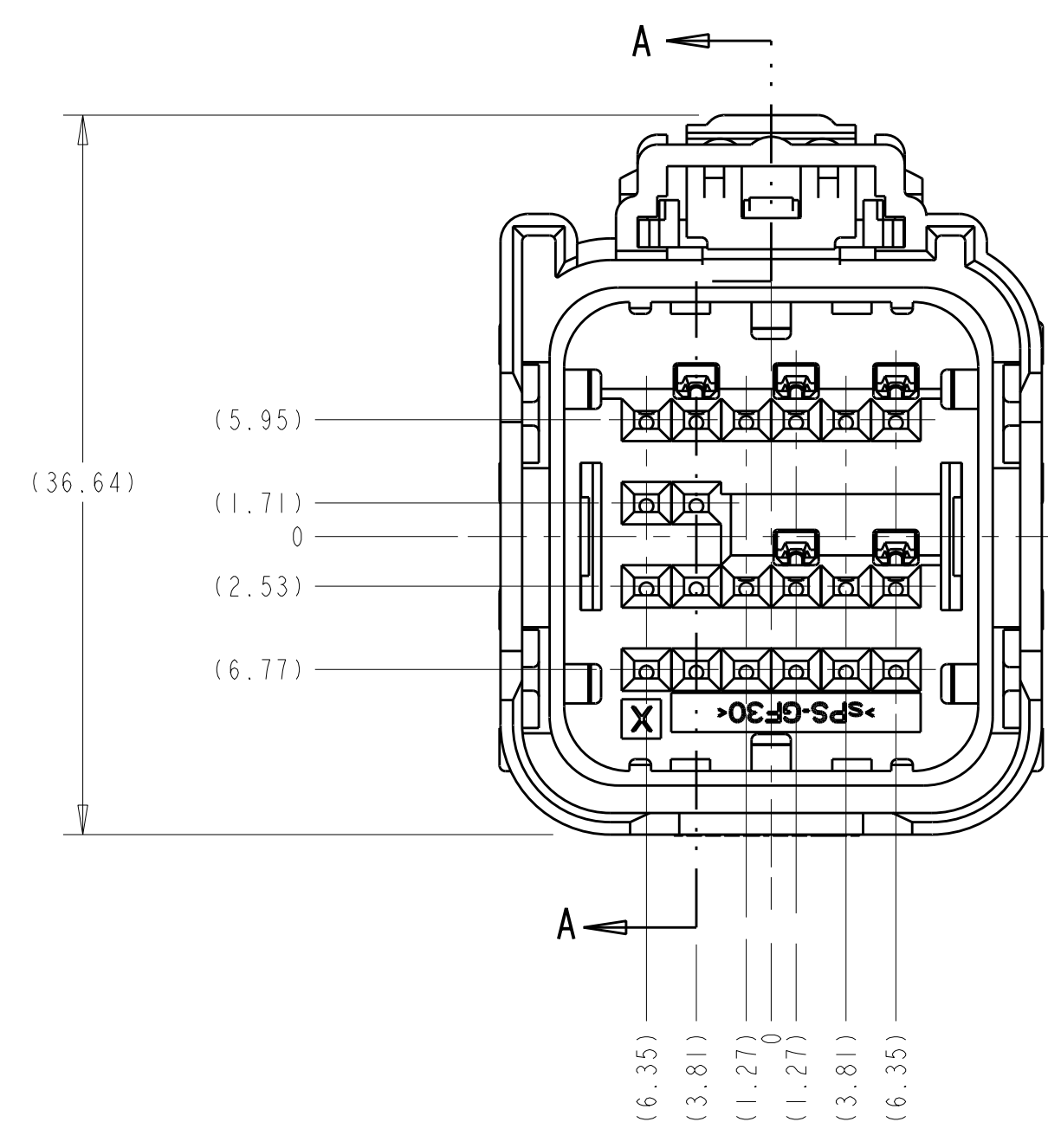
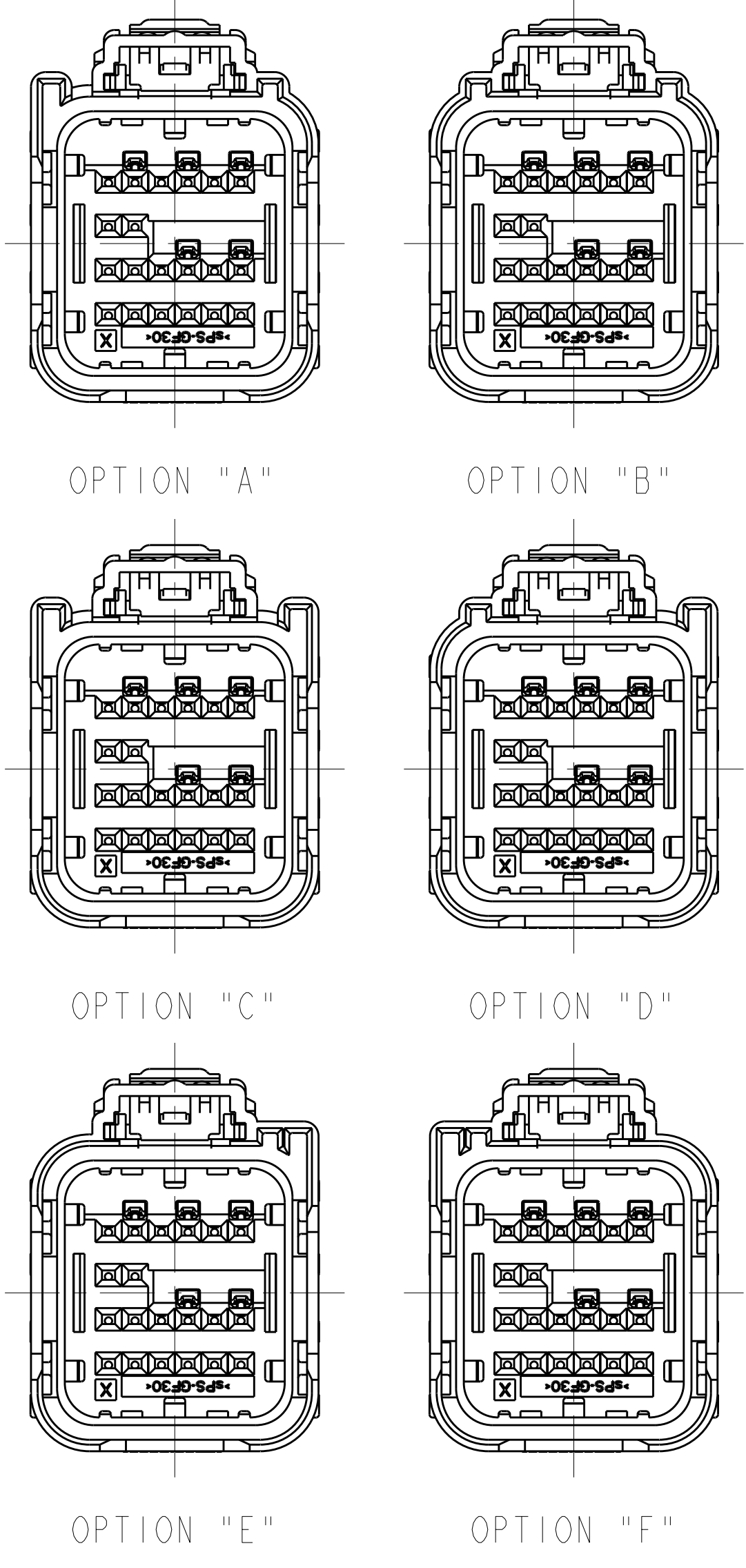


LOC		DIST		REVISIONS			
FX	00	P	LTR	DESCRIPTION	DATE	OWN	APVD
		D		REVISED PER ECO-09-011983	19MAY2009	DLD	WTW

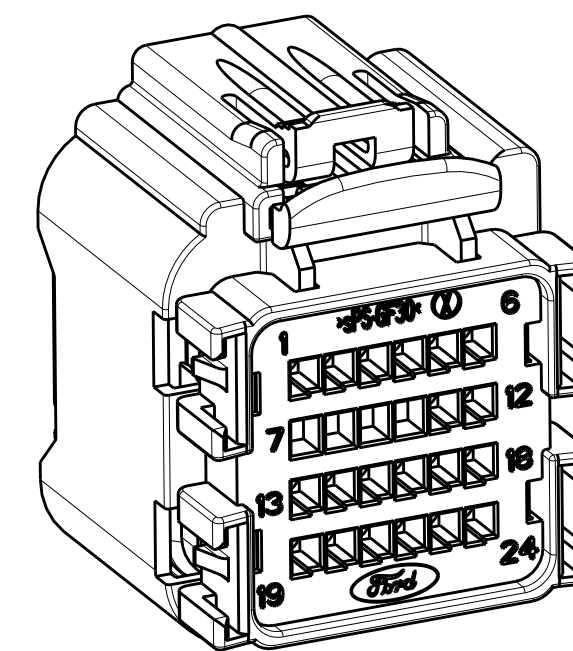
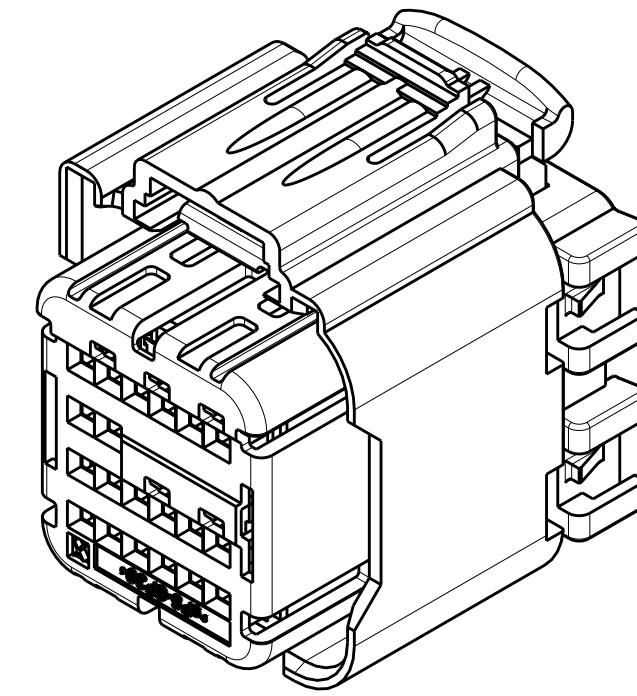
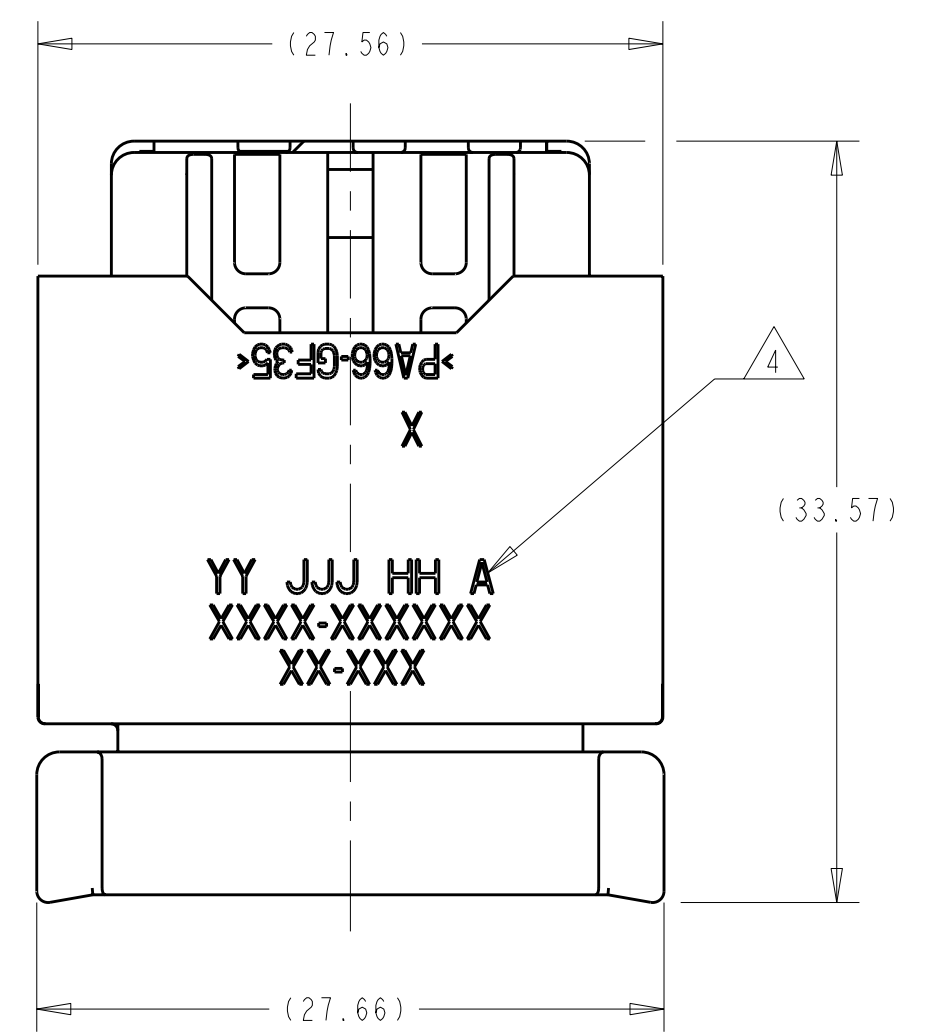
KEYING OPTIONS
 SCALE 2:1



SECTION A-A
 SHOWN WITH TPA IN
 IT'S PRE-LOADED POSITION
 (DELIVERY CONDITION)

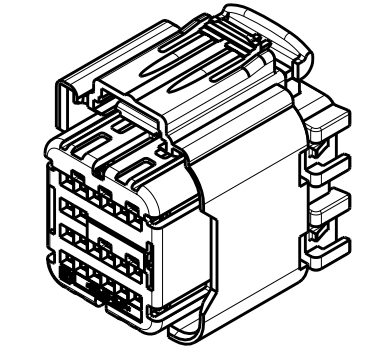
MINIMUM FEED THROUGH CONDITION
 WITH 1mm CLEARANCE ALL AROUND

MINIMUM FEED THROUGH CONDITION
 WITH 1mm CLEARANCE ALL AROUND
 SHOWN WITH OPTION WIRESHIELD



SCALE 2:1

SCALE 2:1



SCALE 1:1

KEYING OPTION "A" SHOWN

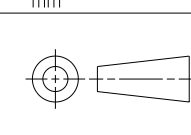

ITEM	ASSEMBLY PART NUMBER	DESCRIPTION	MATERIAL	FINISH/COLOR
7		CPA	PBT-GF15	RED
6		PERIMETER SEAL	SILICONE	GREEN
5		GROMMET	SILICONE	BROWN
4		SHORTING BAR	S.S.	SEE COMPONENT DRAWING
3		COVER	PA66 35% GF	BLACK
2		SPACER FOR SHORTING BAR APPLICATIONS	sPS 30% GF	NATURAL
1		PLUG WITH KEYING OPTION "D" AND 5 SHORTING BAR POSITIONS CONFIGURATION	PA66 35% GF	BLACK
1		PLUG WITH KEYING OPTION "C" AND 5 SHORTING BAR POSITIONS CONFIGURATION	PA66 35% GF	BLACK
1		PLUG WITH KEYING OPTION "B" AND 5 SHORTING BAR POSITIONS CONFIGURATION	PA66 35% GF	BLACK
1		PLUG WITH KEYING OPTION "A" AND 5 SHORTING BAR POSITIONS CONFIGURATION	PA66 35% GF	BLACK

DIMENSIONS: mm 	TOLERANCES UNLESS OTHERWISE SPECIFIED: 9 PLC ±0.3 5 PLC ±0.10 4 PLC ±0.15 ANGLES ±°	DWN: VESTAL 23JUL2007 CHK: W. WELLSKY 23JUL2007 APVD: W. WELLSKY 23JUL2007 PRODUCT SPEC: APPLICATION SPEC: WEIGHT: SEE NOTE 5 CUSTOMER DRAWING	Tyco Electronics Harrisburg, PA 17105-3608 NAME: 24 WAY ARM PLUG ASSEMBLY WITH SHORTING BARS CUSTOMER SPEC. SIZE: CAGE CODE 00779 DRAWING NO. C=1924670 RESTRICTED TO:
-----------------------	---	--	--

THIS DRAWING IS UNPUBLISHED. RELEASED FOR PUBLICATION 20
 © COPYRIGHT 20 BY TYCO ELECTRONICS CORPORATION. ALL RIGHTS RESERVED.

LOC		DIST		REVISIONS			
P	LTG	DESCRIPTION	DATE	DNW	APVD		
-	-	SEE SHEET 1	-	-	-		

ITEM	ASSEMBLY PART NUMBER	DESCRIPTION	MATERIAL	FINISH/COLOR
	7	CPA	PBT-GF15	RED
	6	PERIMETER SEAL	SILICONE	GREEN
	5	GROMMET	SILICONE	BROWN
	4	SHORTING BAR	S.S.	SEE COMPONENT DRAWING
	3	COVER	PA66 35% GF	BLACK
	2	SPACER FOR SHORTING BAR APPLICATIONS	sPS 30% GF	NATURAL
	1	PLUG WITH KEYING OPTION "D" AND 5 SHORTING BAR POSITIONS CONFIGURATION	PA66 35% GF	BLACK
		PLUG WITH KEYING OPTION "C" AND 5 SHORTING BAR POSITIONS CONFIGURATION	PA66 35% GF	BLACK
		PLUG WITH KEYING OPTION "B" AND 5 SHORTING BAR POSITIONS CONFIGURATION	PA66 35% GF	BLACK
		PLUG WITH KEYING OPTION "A" AND 5 SHORTING BAR POSITIONS CONFIGURATION	PA66 35% GF	BLACK
		QUANTITY		

DIMENSIONS: mm 		TOLERANCES UNLESS OTHERWISE SPECIFIED: 9 PLC ±.3 1 PLC ±0.10 5 PLC ±.10 4 PLC ±.10 ANGLES ±°		DWN BY: VESTAL 23JUL2007 CHK BY: W. WELLINSKY APVD BY: W. WELLINSKY 23JUL2007		 Tyco Electronics Harrisburg, PA 17105-3608	
MATERIAL: - FINISH: -		WEIGHT: - CUSTOMER DRAWING		NAME: 24 WAY ARM PLUG ASSEMBLY WITH SHORTING BARS CUSTOMER SPEC. SIZE: A1 CAGE CODE: 00779 DRAWING NO: C=1924670		RESTRICTED TO: - SCALE: 3:1 SHEET 2 OF 3 REV D	

LOC: FX DIST: 00 REVISIONS: P LTR DESCRIPTION DATE DWN APVD

PIN-OUT CHART table with 24 columns and multiple rows of terminal data.

PIN-OUT CHART table with 24 columns and multiple rows of terminal data.

OBSOLETE

PIN-OUT CHART table with 24 columns and multiple rows of terminal data, including obsolete entries.

TERMINAL HOLE POSITION. CAVITIES WITH A NUMERIC SYMBOL INDICATE CLOSED TERMINAL HOLE POSITIONS. BLANK CAVITIES INDICATE OPEN TERMINAL HOLE POSITIONS.

TERMINAL HOLE POSITION. CAVITIES WITH A NUMERIC SYMBOL INDICATE CLOSED TERMINAL HOLE POSITIONS. BLANK CAVITIES INDICATE OPEN TERMINAL HOLE POSITIONS.

Engineering drawing header and title block containing dimensions, tolerances, materials, and customer information.

X-ON Electronics

Largest Supplier of Electrical and Electronic Components

Click to view similar products for [Automotive Connectors](#) category:

Click to view products by [TE Connectivity](#) manufacturer:

Other Similar products are found below :

[003-018-000](#) [600858](#) [60403001](#) [60993906-B](#) [60993913-B](#) [629515004020001](#) [M902-2131](#) [M902-2161](#) [M902-2344](#) [72.330.1035.1](#)
[73.353.4028.0](#) [F118010](#) [F119300-B](#) [F132210](#) [F132210-B](#) [F166900](#) [F180100](#) [F258300](#) [F258300-B](#) [F294300-B](#) [F339100](#) [F339700](#) [F358300-](#)
[B](#) [F374110](#) [F407400](#) [F412210](#) [F427600](#) [F444110](#) [F487000](#) [F495100-B](#) [F500900-B](#) [F509500B-B](#) [770444-1](#) [776880-1](#) [827153-1](#) [881735-1](#)
[8N1515-32-24P](#) [9-1326727-8](#) [9-1326729-8](#) [925467-1](#) [925474-1](#) [928905-1](#) [936398-2](#) [964562-1](#) [964562-4](#) [964731-2](#) [965051-1](#) [968782-1](#)
[GT17SA-8DS-HU](#) [GT17VS-10DP-5.2CF](#)