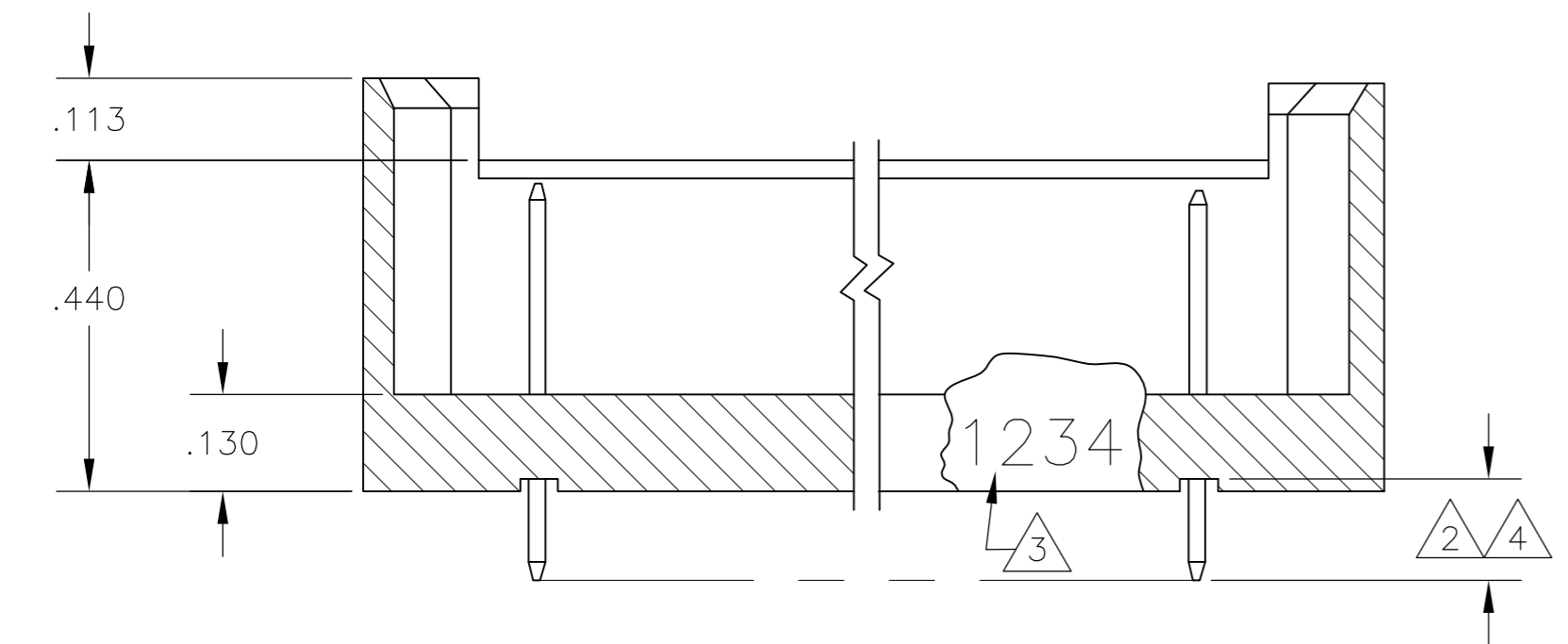
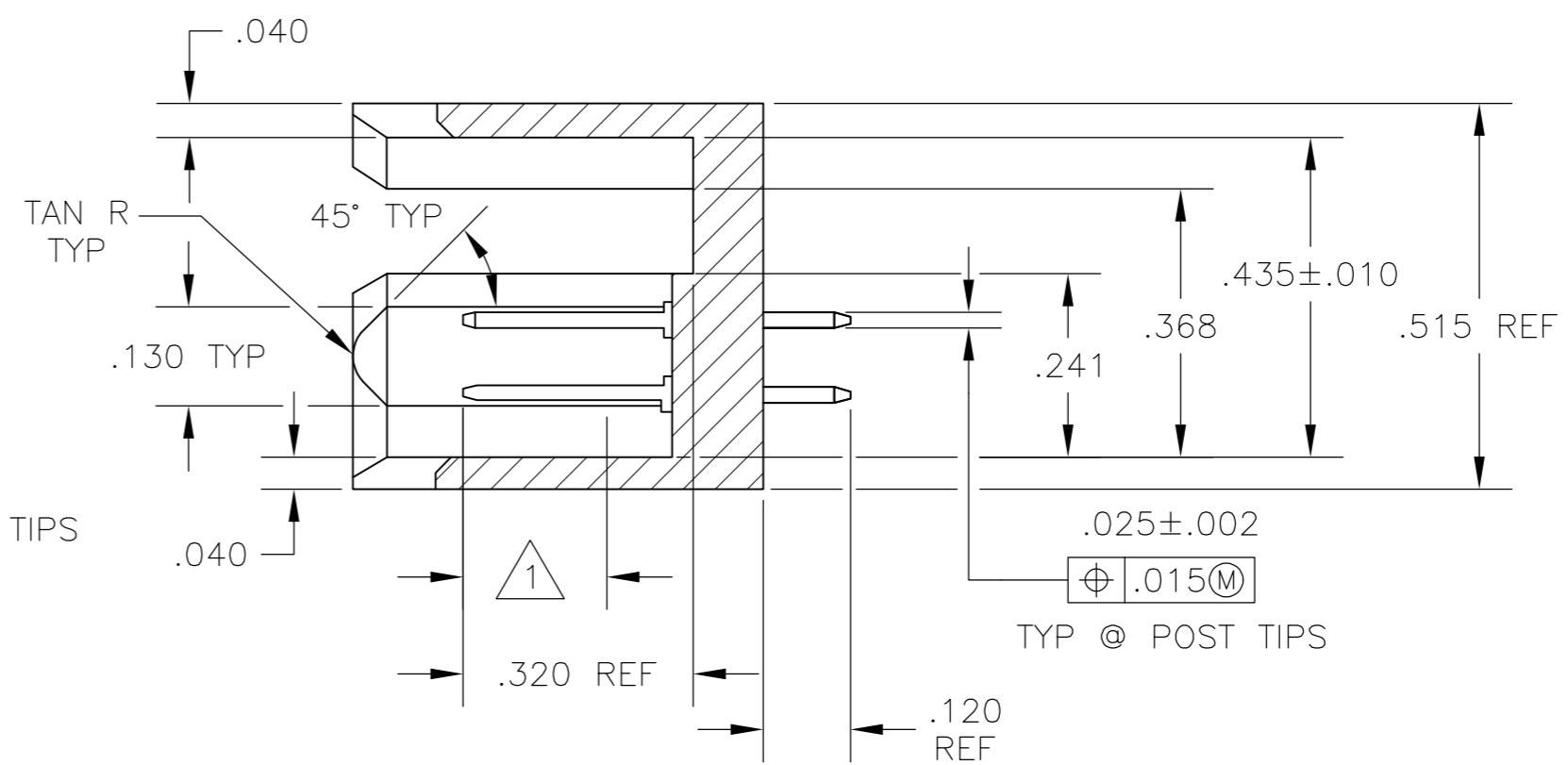
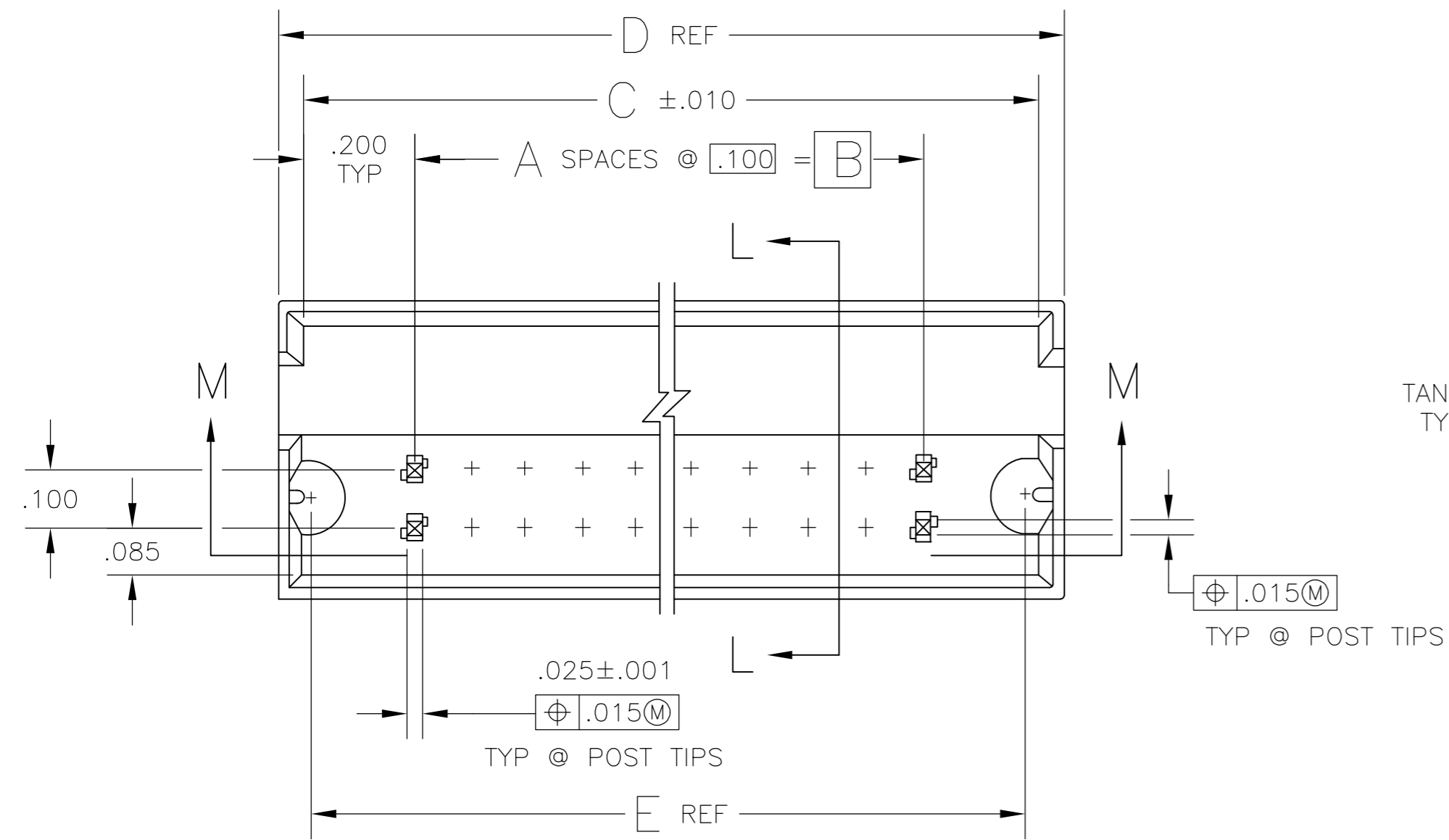


THIS DRAWING IS UNPUBLISHED. RELEASED FOR PUBLICATION
 © COPYRIGHT BY TYCO ELECTRONICS CORPORATION. ALL RIGHTS RESERVED.

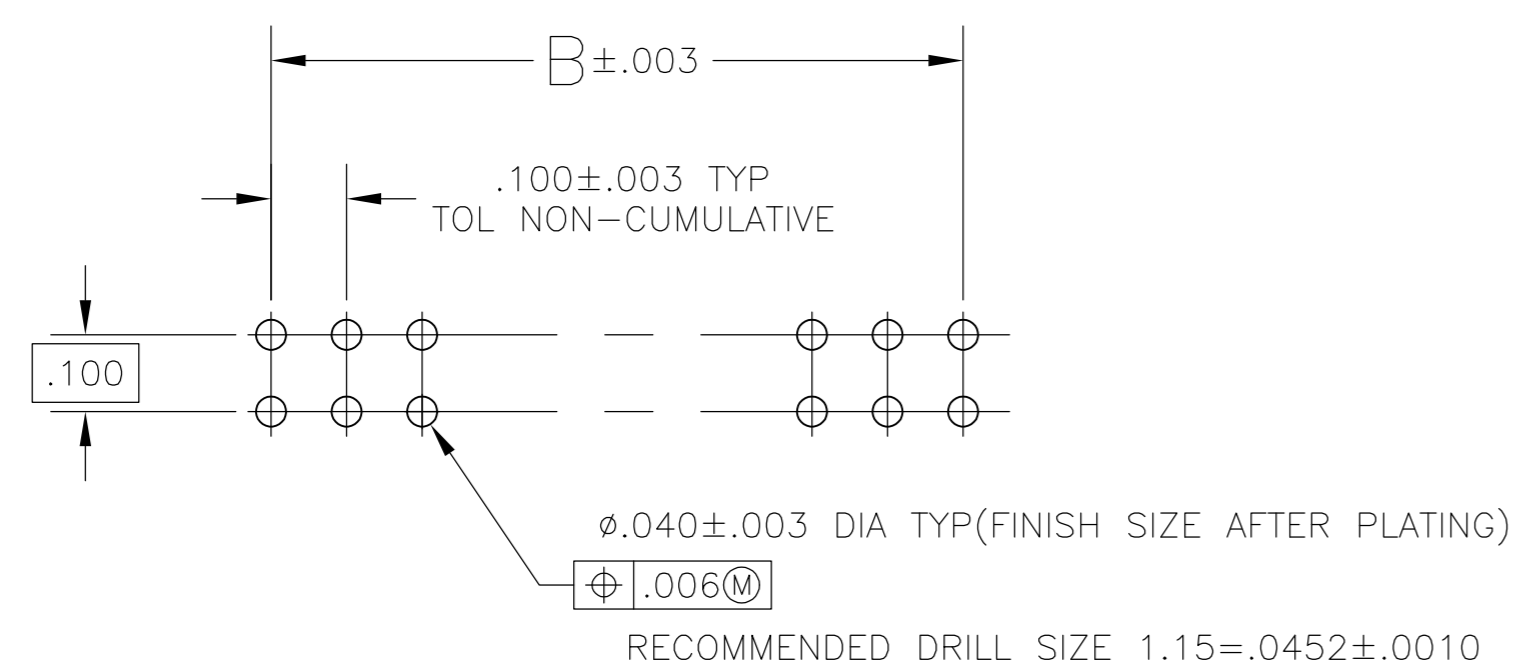
LOC		DIST		REVISIONS			
P	LTR	DESCRIPTION	DATE	DWN	APVD		
	K1	ECO-06-016522	24AUG06	BSV	JO		
	K2	REVISED PER ECO-09-021510	11SEP09	KK	AEG		



SECTION L-L

SECTION M-M

- 1 FINISH OVER INDICATED AREA: .000030 GOLD OVER .000050 NICKEL.
- 2 FINISH OVER INDICATED AREA: .000100-.000200 TIN OVER .000050 NICKEL.
- 3 RECESSED DATE CODE.
- 4 FINISH OVER INDICATED AREA: .000100-.000200 MATTE TIN OVER .000050 NICKEL
- 5 ROHS 2002/95/EC COMPLIANT
- 6 OBSOLETE PARTS: OBSOLETE CIS STREAMLINING PER D.RENAUD/D.SINISI



RECOMMENDED HOLE LAYOUT

	1	2	3	4	5	6	7	8	9	10	11	12	13	14	15	16	17	18	19	20	21	22	23	24	25	26	27	28	29	30	31	32	33	34	35	36	37	38	39	40	41	42	43	44	45	46	47	48	49	50	51	52	53	54	55	56	57	58	59	60	61	62	63	64	65	66	67	68	69	70	71	72	73	74	75	76	77	78	79	80	81	82	83	84	85	86	87	88	89	90	91	92	93	94	95	96	97	98	99	100
	1.470	1.580	1.500	1.100	11	24	5-533023-8																							5-533023-8																																																																						
	2.770	2.880	2.800	2.400	24	50	5-533023-3																							5-533023-3																																																																						
OBSOLETE	7.270	7.380	7.300	6.900	69	140	533023-9																							533023-9																																																																						
	1.470	1.580	1.500	1.100	11	24	533023-8																							533023-8																																																																						
OBSOLETE	.870	.980	.900	.500	5	12	533023-7																							533023-7																																																																						
OBSOLETE	2.270	2.380	2.300	1.900	19	40	533023-6																							533023-6																																																																						
OBSOLETE																																																																																																				
OBSOLETE	5.270	5.380	5.300	4.900	49	100	533023-4																							533023-4																																																																						
OBSOLETE	2.770	2.880	2.800	2.400	24	50	533023-3																							533023-3																																																																						
OBSOLETE	5.270	6.380	6.300	5.900	59	120	533023-2																							533023-2																																																																						
OBSOLETE	4.270	4.380	4.300	3.900	39	80	533023-1																							533023-1																																																																						

THIS DRAWING IS A CONTROLLED DOCUMENT.

DIMENSIONS: INCHES

TOLERANCES UNLESS OTHERWISE SPECIFIED:

0 PLC	±	-
1 PLC	±	-
2 PLC	±	-
3 PLC	±	.005
4 PLC	±	-
ANGLES	±	-

FINISH: 1 2 4

MATERIAL: HEADER: GLASS FILLED NYLON, COLOR, BLACK POST: COPPER ALLOY

DWN: 08MAR85
CHK: 15MAR85
APVD: 15MAR85

NAME: DOUGLAS SARVER

PRODUCT SPEC: -
APPLICATION SPEC: -
WEIGHT: -

Tyco Electronics Corporation
Harrisburg, Pa 17105-3608

HEADER ASSY, SHROUDED, MOD II, .100 X .100 GRID, STD POSTS (WITH POLARIZING LUGS)

SIZE: A2 CAGE CODE: 00779 DRAWING NO: C=533023 RESTRICTED TO: -

CUSTOMER DRAWING SCALE: 4:1 SHEET: 1 OF 1 REV: K2

533023

A

X-ON Electronics

Largest Supplier of Electrical and Electronic Components

Click to view similar products for [Headers & Wire Housings](#) category:

Click to view products by [TE Connectivity](#) manufacturer:

Other Similar products are found below :

[95000-104TRLF](#) [10135584-644402LF](#) [DF62W-EP2022PCA](#) [95000-106TRLF](#) [DF62W-2022SCA](#) [DF62W-EP2022PC](#) [2203348](#) [DF62W-2022SC](#) [1084018](#) [1029039](#) [1084017](#) [802-10-012-10-002000](#) [1112640](#) [1112639](#) [000-34000](#) [0009482033](#) [0009507031](#) [57102-S06-03LF](#) [57202-S52-04LF](#) [PCN6-15S-2.5E](#) [0039019024](#) [58102-G61-06LF](#) [582553-1](#) [0009485154](#) [0009508121](#) [0022285053](#) [0050291907](#) [018731A](#) [LY20-4P-DT1-P1E-BR](#) [02.125.8002.8](#) [60101931](#) [60598-1 \(Cut Strip\)](#) [M1625-3R/100](#) [61062-3](#) [61082-181009](#) [636-1427](#) [638009-1](#) [641938-9](#) [641991-4](#) [644168-1](#) [647662-1](#) [65039-019ELF](#) [65817-002LF](#) [65817-015LF](#) [65863-015LF](#) [66207-023LF](#) [67016-026LF](#) [67046-001LF](#) [67095-007LF](#) [67230-005LF](#)