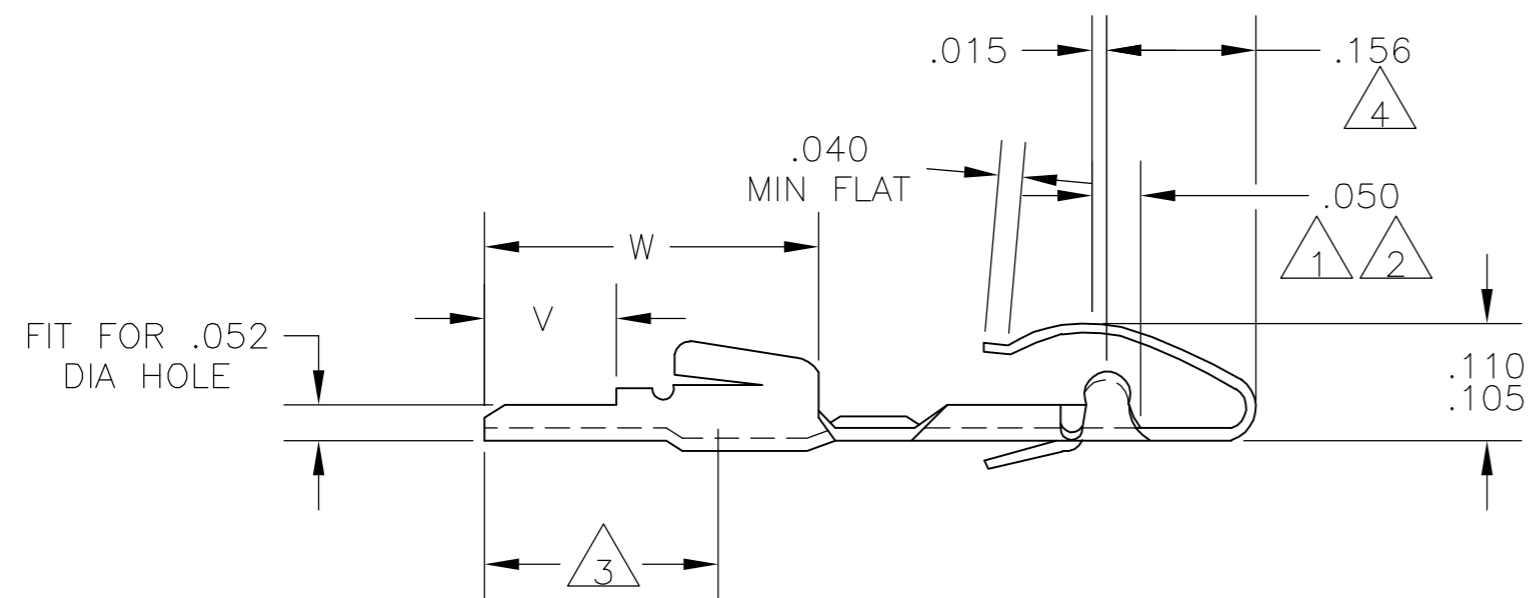
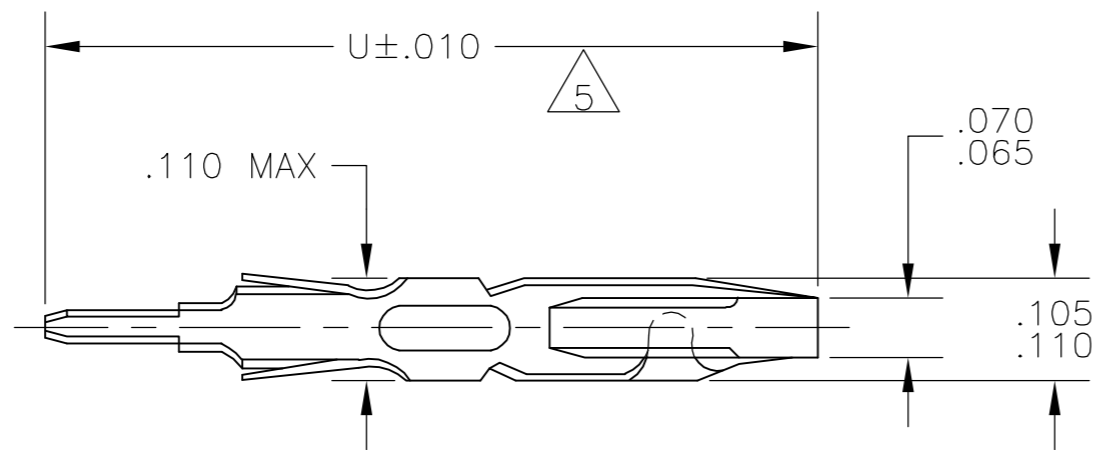


THIS DRAWING IS UNPUBLISHED. RELEASED FOR PUBLICATION
 © COPYRIGHT BY TYCO ELECTRONICS CORPORATION. ALL RIGHTS RESERVED.

LOC	DIST	REVISIONS			
P	LTR	DESCRIPTION	DATE	DWN	APVD
AD	00	K	ECO-05-004683	17JAN06	BSV MM

NOTE:
FINISH

- △1 .000030 GOLD OVER NICKEL SELECTIVE ON CONTACT AREA.
- △2 .000015 GOLD OVER .000050 NICKEL SELECTIVE ON CONTACT AREA.
- △3 GOLD FLASH OR TIN PLATE OVER NICKEL ON SOLDER TAB.
- △4 GOLD PLATING THICKNESS TO BE MEASURED WITH A MASK HAVING A .012 APERTURE LOCATED .156 FROM THE NOSE OF CONTACT
- △5 .000100/.000200 BRIGHT TIN LEAD PLATING ALL OVER, NICKEL UNDER PLATE ALL OVER.
- △6 GOLD FLASH OR MATTE TIN PLATE OVER NICKEL ON SOLDER TAB.



	1/16	△2 △6	.345	.120	.810	5-583294-2
	1/16	△1 △6	.345	.120	.810	5-583294-1
OBSOLETE	1/16	△5	.345	.120	.810	583294-8
OBSOLETE	3/32	△2	.375	.150	.840	583294-4
OBSOLETE	3/32	△1	.375	.150	.840	583294-3
	1/16	△2 △1	.345	.120	.810	583294-2
	1/16	△1	.345	.120	.810	583294-1
	BOARD THK	FINISH	W	V	U	PART NO.

THIS DRAWING IS A CONTROLLED DOCUMENT.		DWN	26SEP67	tyco Electronics		Tyco Electronics Corporation	
DIMENSIONS: INCHES		CHK	14SEP67			Harrisburg, PA 17105-3608	
TOLERANCES UNLESS OTHERWISE SPECIFIED:		APVD	18SEP67	NAME		AMP LEAF SOLDER DIP CONTACT FOR .052 DIA.HOLE	
0 PLC ± -		PRODUCT SPEC		SIZE		CAGE CODE	DRAWING NO
1 PLC ± -		APPLICATION SPEC		A2		00779	C=583294
2 PLC ± -		WEIGHT		SCALE		SHEET	OF
3 PLC ± -		CUSTOMER DRAWING		5:1		1	1
4 PLC ± -		RESTRICTED TO		REV		K	
ANGLES ± -		FINISH		SEE TABLE			
MATERIAL PHOSPHOR BRONZE							

X-ON Electronics

Largest Supplier of Electrical and Electronic Components

Click to view similar products for [Standard Card Edge Connectors](#) category:

Click to view products by [TE Connectivity](#) manufacturer:

Other Similar products are found below :

[6565204-6](#) [PKC-156](#) [1437274-4](#) [147889-1](#) [1489165-4](#) [EBT156-12B1X](#) [EBT15622B2X](#) [EBT156-22R2W](#) [1-582587-1](#) [1-582589-1](#) [2-6437275-9](#) [284-0102-12100](#) [306022901000000](#) [307-012-502-202](#) [307-024-526-201](#) [307-056-520-300](#) [307-080-526-208](#) [245-062-520-350](#) [287-0032-12101](#) [306-010-500-112](#) [306-028-525-102](#) [306-240-318](#) [307-036-502-202](#) [307-036-521-301](#) [307-072-526-202](#) [345-060-559-303](#) [368-004-520-201](#) [392-008-559-201](#) [534671-1](#) [5-530501-5](#) [341-240-317](#) [345-029-520-300](#) [345-030-500-301](#) [345-044-500-300](#) [345-220-058](#) [346-240-318](#) [357-030-526-201](#) [387-012-523-300](#) [395-044-520-300](#) [395-100-524-300](#) [50-12B-10](#) [50-6SN-5](#) [09-07-2032](#) [10035388-106LF](#) [10035388-802LF](#) [10122859-009LF](#) [10127905-B04B24BLF](#) [530555-1](#) [EBT156-15A2X](#) [2007209-1](#)