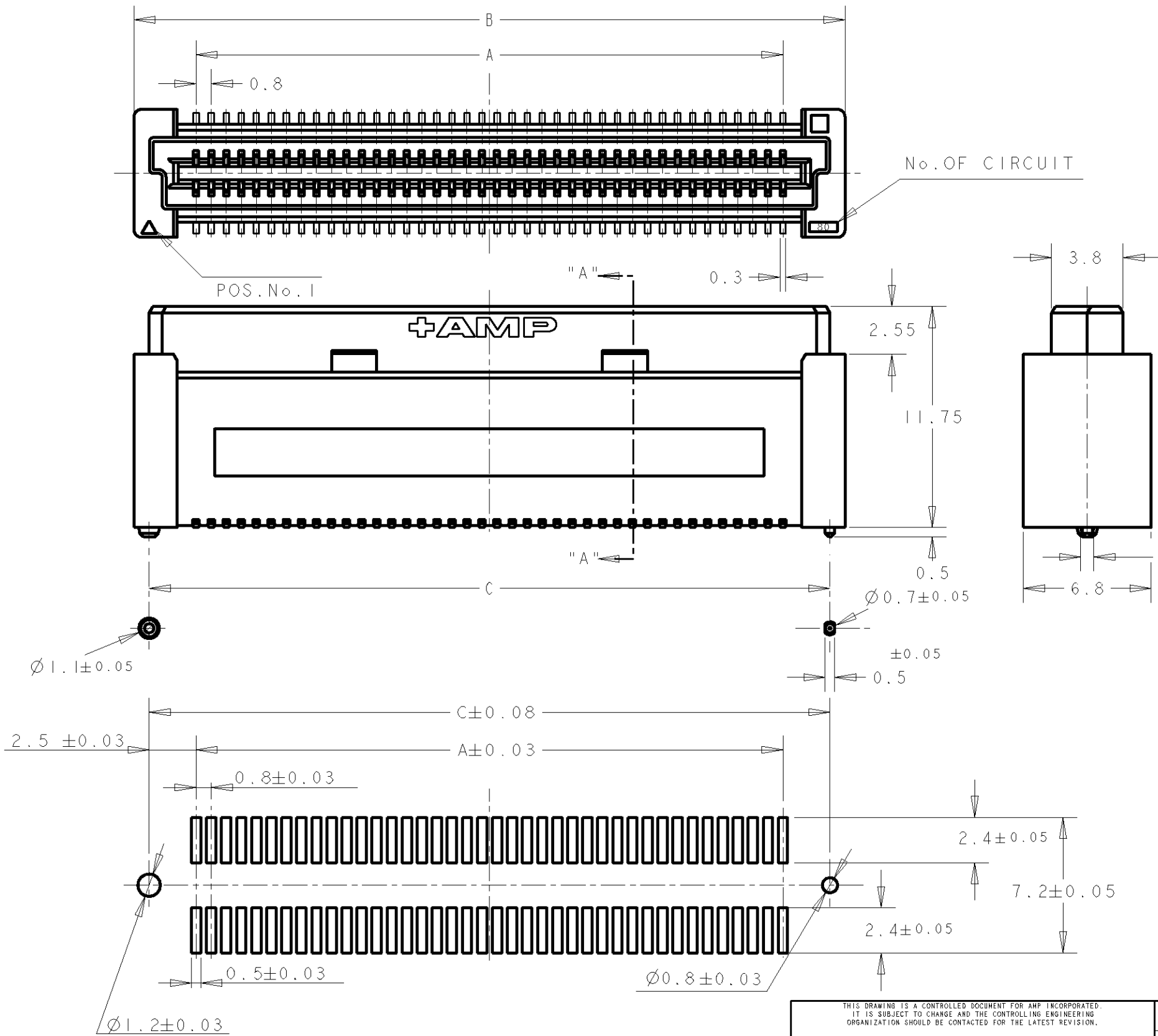


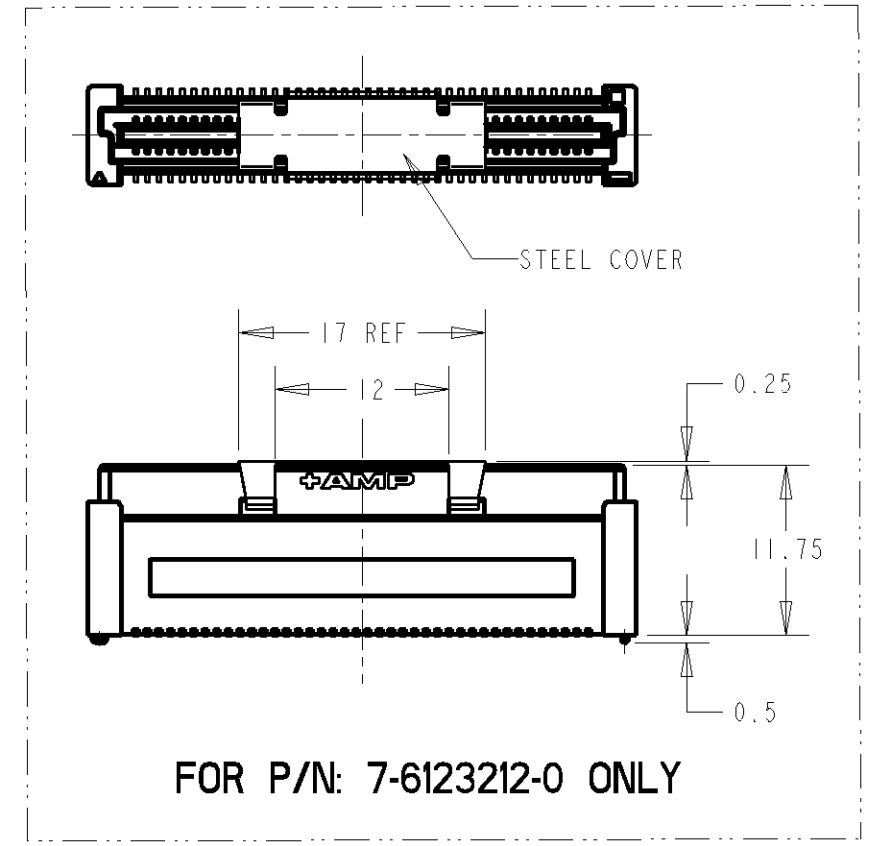
THIS DRAWING IS UNPUBLISHED. RELEASED FOR PUBLICATION .19 .
 © COPYRIGHT 19 BY AMP INCORPORATED. ALL RIGHTS RESERVED.

LOC	DIST	REVISIONS					
DY	-	P	LTR	DESCRIPTION	DATE	DWN	APVD
		01		REVISED PER ECR-06-029208	14DEC06	SYJ	LSF



NOTES:

- 1. MATERIAL: HOUSING: L.C.P. (HIGH TEMP. THERMOPLASTIC)
UL 94V-0, NATURAL.
CONTACT: BERYLIUM COPPER.
- 2. FINISH: CONTACT AREA: 0.00076 MIN GOLD ON
0.0013 MIN ALL OVER NICKEL.
SOLDERING AREA: 0.002 MIN MATTE-TIN
- 3. POSITION SERIES: SEE TABLE. (SHEET 2)
- 4. CONN STACK HEIGHT COMBINE OF PLUG "Y" H VS REC "X" H.
STACK HEIGHT = Y + X - 5
- 5. FOR STEEL COVER PICK AND PLACE VERSION,
DESCRIPTION PRINTING ON TUBE IS:
"REC ASS'Y (H=13mm), W/ STEEL COVER,
0.8mm BTB STACKING CONN"



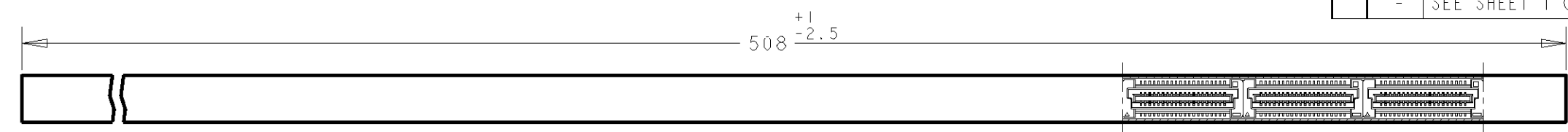
P/N SEE SHEET 2 OF 2

RECOMMENDED P.C. BOARD LAYOUT

THIS DRAWING IS A CONTROLLED DOCUMENT FOR AMP INCORPORATED. IT IS SUBJECT TO CHANGE AND THE CONTROLLING ENGINEERING ORGANIZATION SHOULD BE CONTACTED FOR THE LATEST REVISION.		DWN FLORENCE TAN 23AUG04	tyco Electronics		Tyco Electronics (Singapore) Pte. Ltd.	
DIMENSIONS: mm		CHK ERIC TNG	NAME REC ASSY			
TOLERANCES UNLESS OTHERWISE SPECIFIED: 0 PLC ± .30 1 PLC ± .30 2 PLC ± .25 3 PLC ± .20 4 PLC ± .20 ANGLES ± 3°		APVD SF J FONG	FOR FH 0.8 B-T-B CONNECTOR 13H 0.5 BOSS LENGTH (0.76um GOLD)			
MATERIAL		PRODUCT SPEC 108-5390	SIZE A3	CAGE CODE 00779	DRAWING NO C-6123212	
FINISH		APPLICATION SPEC 114-5254	SCALE 4:1		SHEET 1 OF 2	
1		WEIGHT -	CUSTOMER DRAWING		REV 01	

THIS DRAWING IS UNPUBLISHED. RELEASED FOR PUBLICATION .19 .
 © COPYRIGHT 19 BY AMP INCORPORATED. ALL RIGHTS RESERVED.

LOC	DIST	REVISIONS					
DY	-	P	LTR	DESCRIPTION	DATE	DWN	APVD
				- SEE SHEET 1 OF 2			



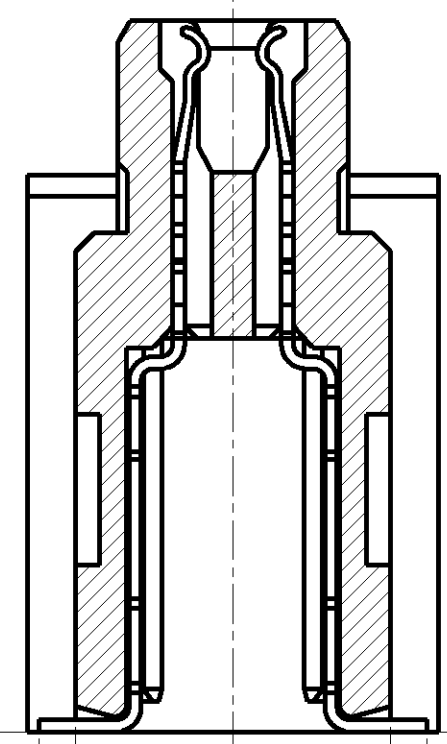
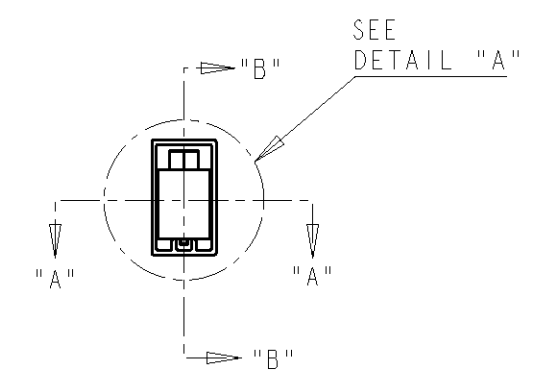
REFERENCE PICTURE OF TUBE PACK (WITHOUT STEEL COVER VERSION)

SECT "A" - "A"

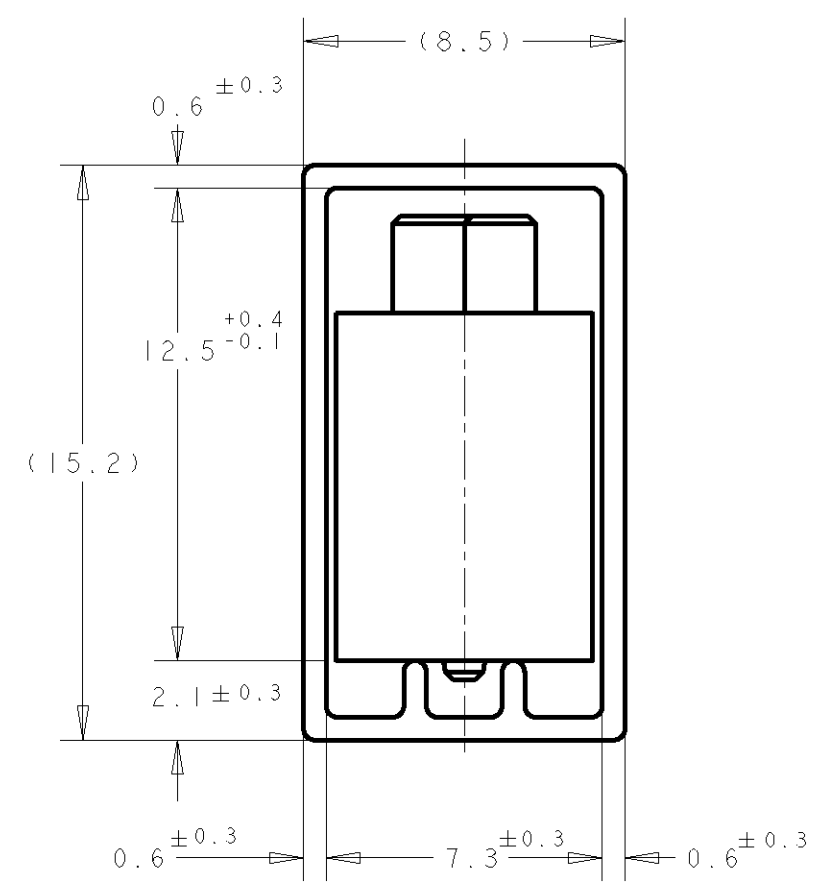


REC ASS'Y (H=13mm), 0.8mm BTB STACKING CONN

SECT "B" - "B"



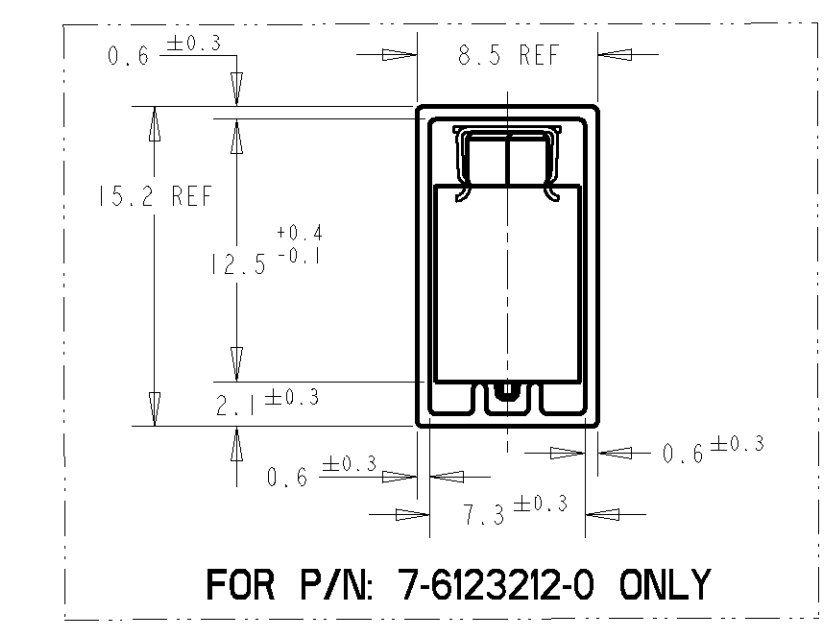
SECT "A" - "A"
(SCALE: 8-1)



DETAIL "A"
(SCALE 5-1)



WITH STEEL COVER	AVAILABLE	84.20	85.80	79.20	200	7-	-0
		84.20	85.80	79.20	200	6-	-0
		76.20	77.80	71.20	180	5-	-9
		68.20	69.80	63.20	160	5-	-8
		60.20	61.80	55.20	140	5-	-6
		52.20	53.80	47.20	120	5-	-5
		44.20	45.80	39.20	100	5-	-4
		36.20	37.80	31.20	80	5-	-3
		28.20	29.80	23.20	60	5-	-2
		20.20	21.80	15.20	40	5-6123212-1	
REMARKS	STATUS	C	B	A	POS.	PART No.	



FOR P/N: 7-6123212-0 ONLY

THIS DRAWING IS A CONTROLLED DOCUMENT FOR AMP INCORPORATED. IT IS SUBJECT TO CHANGE AND THE CONTROLLING ENGINEERING ORGANIZATION SHOULD BE CONTACTED FOR THE LATEST REVISION.

DIMENSIONS: mm	TOLERANCES UNLESS OTHERWISE SPECIFIED:	DWN FLORENCE TAN	Tyco Electronics (Singapore) Pte. Ltd.
		CHK ERIC TNG	
		APVD SEI FONG	NAME REC ASSY
		PRODUCT SPEC 108-5390	FOR FH 0.8 B-T-B CONNECTOR 13H 0.5 BOSS LENGTH (0.76um GOLD)
		APPLICATION SPEC 114-5254	SIZE A3
MATERIAL	FINISH	WEIGHT	CAGE CODE 00779
			DRAWING NO C-6123212
		CUSTOMER DRAWING	SCALE 4:1 SHEET 2 OF 2 REV 01

X-ON Electronics

Largest Supplier of Electrical and Electronic Components

Click to view similar products for [Board to Board & Mezzanine Connectors](#) category:

Click to view products by [TE Connectivity](#) manufacturer:

Other Similar products are found below :

[10135583-642402LF](#) [89885-310LF](#) [589158040000018](#) [6-1393048-0](#) [68683-613](#) [MDF7-12DP-2.54DSA](#) [MDF7-18P-2.54DSA\(01\)](#) [MDF7-20DP-2.54DSA](#) [MDF7-26D-2.54DSA\(55\)](#) [MDF7-3P-2.54DSA\(01\)](#) [MDF7B-3P-2.54DSA\(55\)](#) [MDF7C-11P-2.54DSA\(55\)](#) [MDF7C-18P-2.54DSA\(55\)](#) [MDF7C-5P-2.54DSA\(01\)](#) [MDF7P-5P-2.54DSA\(55\)](#) [75234-0516](#) [FCN-230C068-11](#) [FCN-268F012-G/BD](#) [FCN-268F036-G/BD](#) [FCN-268M012-G/0D](#) [FCN-268M024-G/1D](#) [FCN-360C008-C](#) [FCN-360C040-C](#) [FCN-723J004/1](#) [MIS-048-01-F-D-DP-K](#) [832-10-034-10-001000](#) [93696-325LF](#) [11828-1FA](#) [AXK630345P](#) [18097-0013](#) [ICA-328STT](#) [2007042-2](#) [304400-2](#) [FCN-214Q030-G/0](#) [FCN-215Q040-G/0](#) [FCN-230C068-ESA](#) [FCN-234P048-G/0](#) [FCN-235D050-G/C](#) [FCN-360A3](#) [FCN-360C040-B](#) [210-93-314-41-105000](#) [2-22603-0](#) [379-064-521-202](#) [MDF7-12P-2.54DSA\(01\)](#) [MDF7-16P-2.54DS\(56\)](#) [MDF7-40DP-2.54DSA\(55\)](#) [MDF7-8P-2.54DSA\(55\)](#) [MDF7B-16P-2.54DSA\(55\)](#) [AXG720047](#) [5031084030](#)