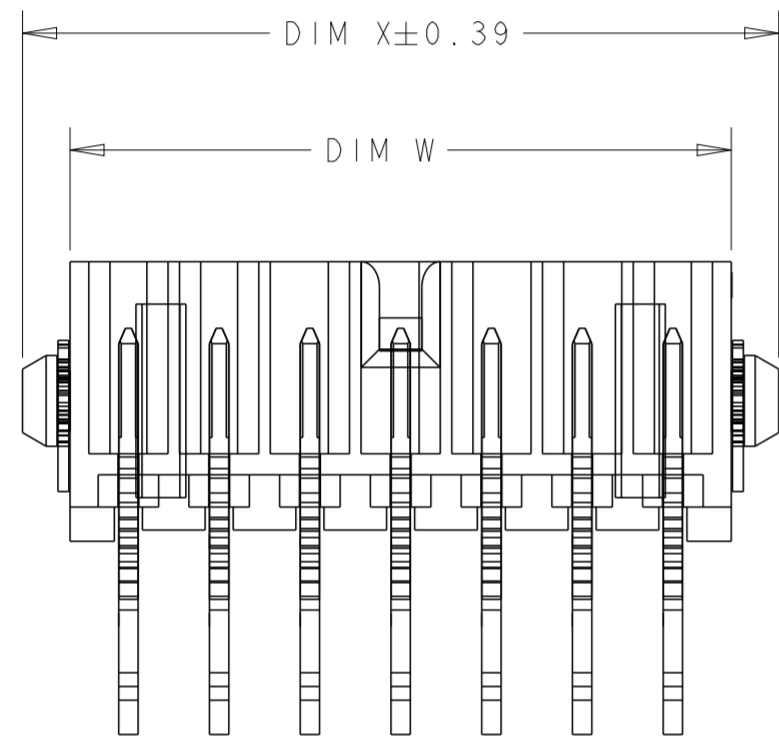
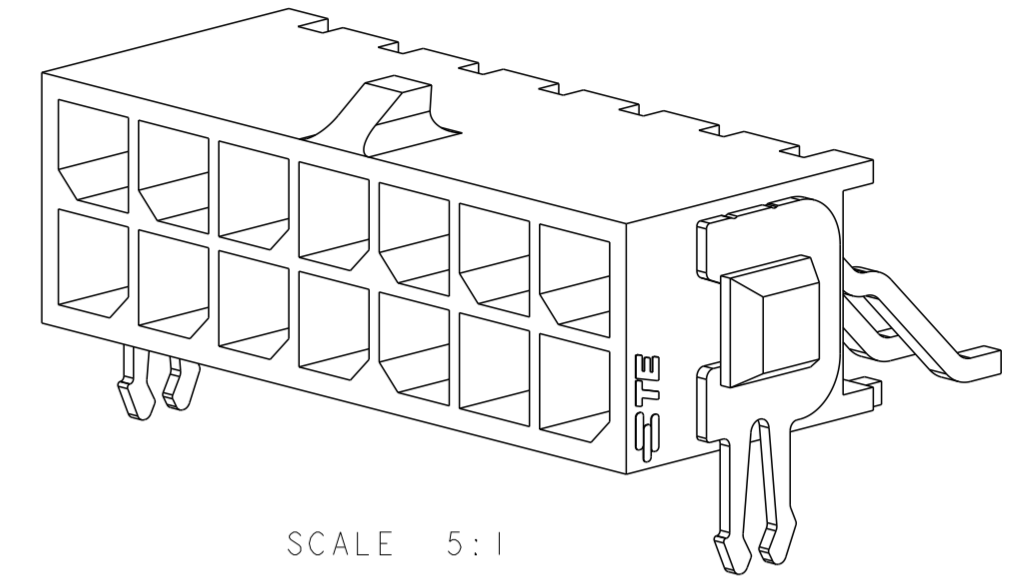
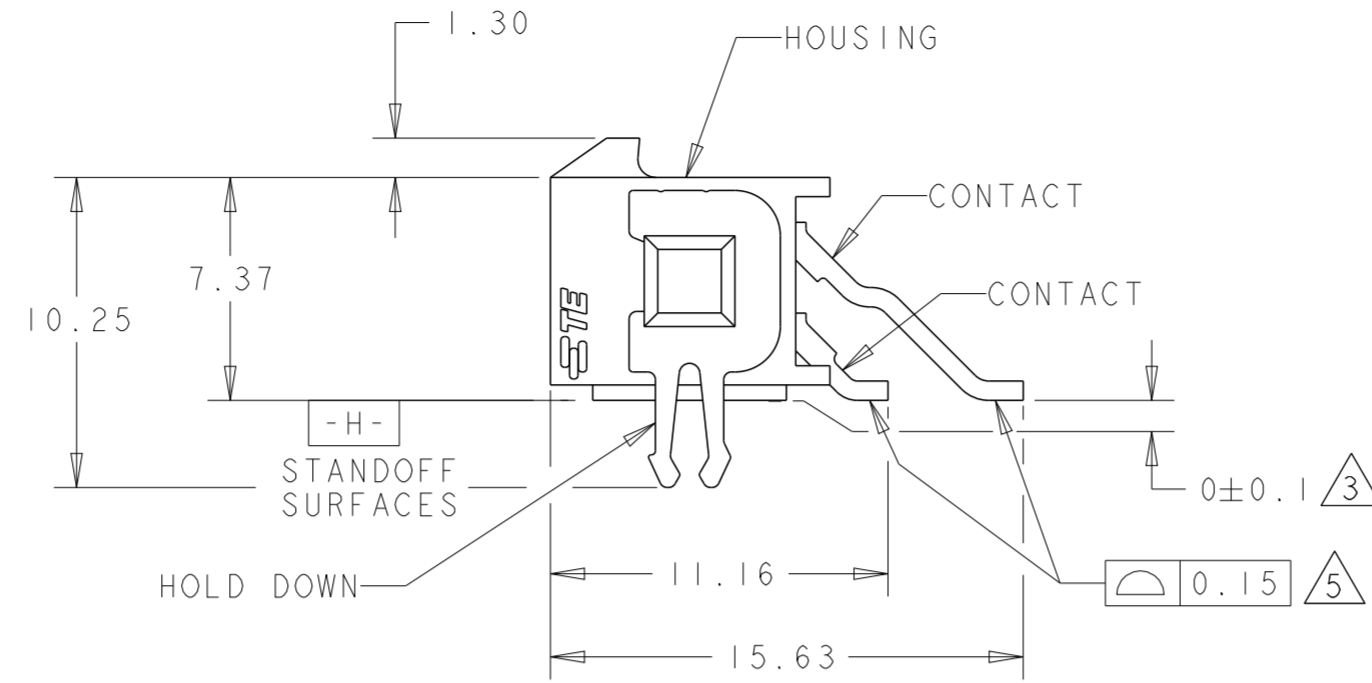
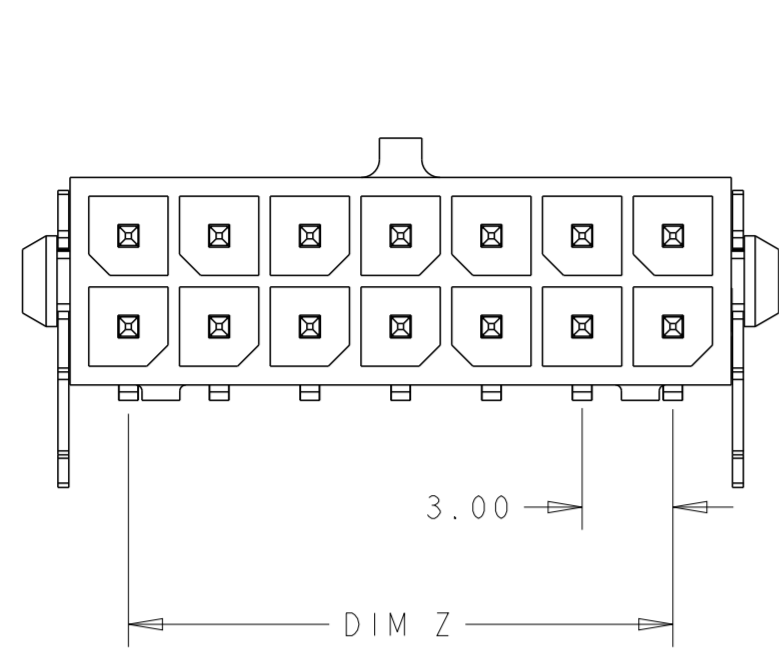
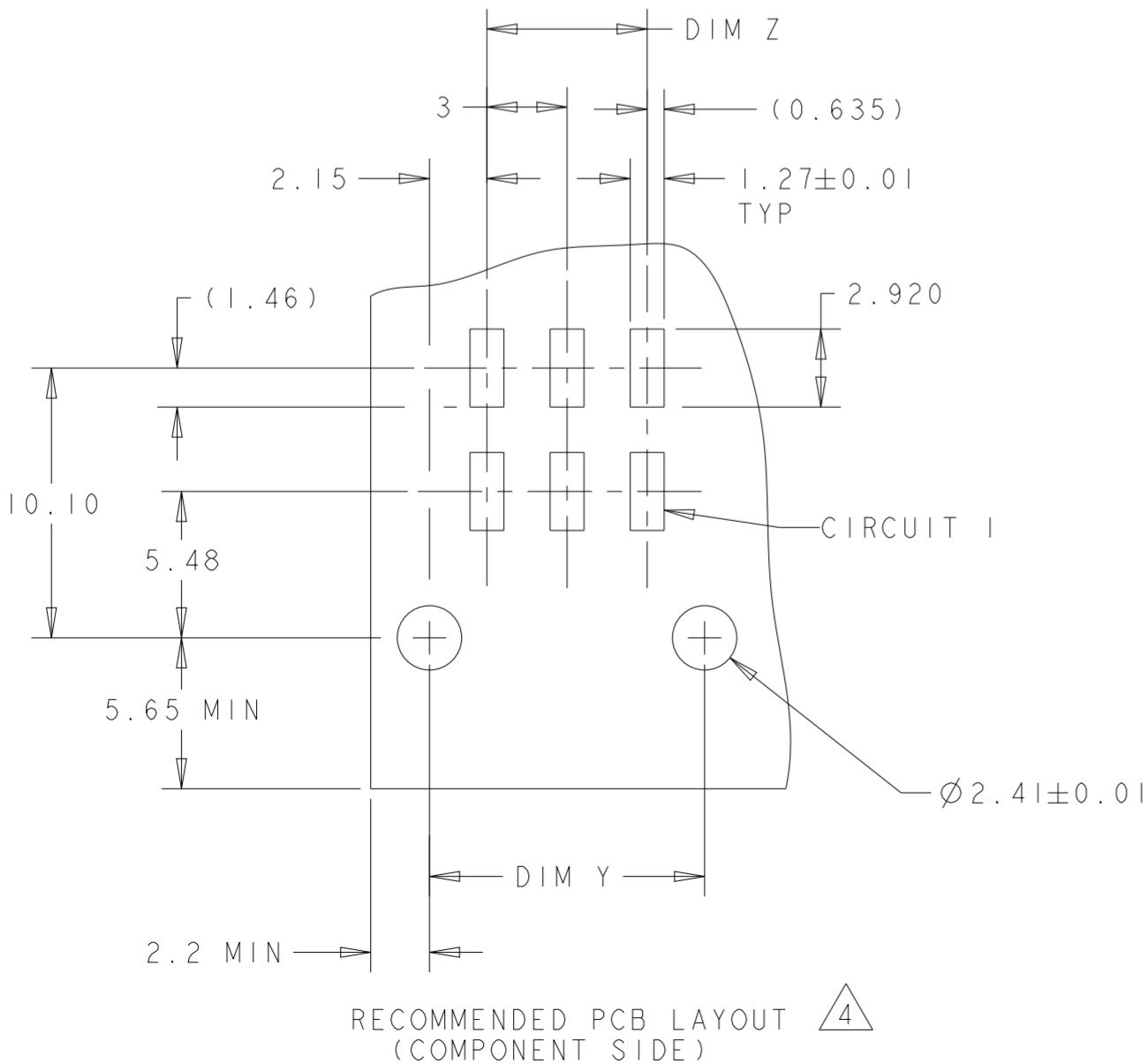


THIS DRAWING IS UNPUBLISHED. RELEASED FOR PUBLICATION 20
 © COPYRIGHT 20 BY - ALL RIGHTS RESERVED.

REVISIONS					
P	LTR	DESCRIPTION	DATE	DWN	APVD
	G1	REVISED PER ECR-16-011494	22JUN2017	NK	CX



- 1 MATERIAL;
CONTACTS - BRASS.
HOUSING - UL 94V-0 RATED HIGH TEMP NYLON,
COLOR; BLACK.
HOLD DOWNS - PHOSPHOR BRONZE.
- 2 FINISH;
CONTACTS - 2.54µm MINIMUM TIN-LEAD OVER 1.27µm
MINIMUM NICKEL.
HOLD DOWNS - 2.54µm TIN LEAD.
- 3 DIMENSION APPLIES TO SOLDERTAIL SURFACES
AND STANDOFF SURFACES.
- 4 RECOMMENDED PCB BOARD THICKNESS OF 1.57.
- 5 ALL SOLDERTAILS.
- 6 FINISH;
CONTACTS - 2.54µm MINIMUM MATTE TIN OVER 1.27µm
MINIMUM NICKEL.



36.86	37.30	33.00	40.00	24	5-794624-4
33.86	34.30	30.00	37.00	22	5-794624-2
30.86	31.30	27.00	34.00	20	5-794624-0
27.86	28.30	24.00	31.00	18	4-794624-8
24.86	25.30	21.00	28.00	16	4-794624-6
21.86	22.30	18.00	25.00	14	4-794624-4
18.86	19.30	15.00	22.00	12	4-794624-2
15.86	16.30	12.00	19.00	10	4-794624-0
12.86	13.30	9.00	16.00	8	3-794624-8
9.86	10.30	6.00	13.00	6	3-794624-6
6.86	7.30	3.00	10.00	4	3-794624-4
3.86	4.30	-	7.00	2	3-794624-2
36.86	37.30	33.00	40.00	24	2-794624-4
33.86	34.30	30.00	37.00	22	2-794624-2
30.86	31.30	27.00	34.00	20	2-794624-0
27.86	28.30	24.00	31.00	18	1-794624-8
24.86	25.30	21.00	28.00	16	1-794624-6
21.86	22.30	18.00	25.00	14	1-794624-4
18.86	19.30	15.00	22.00	12	1-794624-2
15.86	16.30	12.00	19.00	10	1-794624-0
12.86	13.30	9.00	16.00	8	794624-8
9.86	10.30	6.00	13.00	6	794624-6
6.86	7.30	3.00	10.00	4	794624-4
3.86	4.30	-	7.00	2	794624-2

SUPERSEDED BY 5-794624-4
 SUPERSEDED BY 5-794624-2
 SUPERSEDED BY 5-794624-0
 SUPERSEDED BY 4-794624-8
 SUPERSEDED BY 4-794624-6
 SUPERSEDED BY 4-794624-4
 SUPERSEDED BY 4-794624-2
 SUPERSEDED BY 4-794624-0
 SUPERSEDED BY 3-794624-8
 SUPERSEDED BY 3-794624-6
 SUPERSEDED BY 3-794624-4
 SUPERSEDED BY 3-794624-2

THIS DRAWING IS A CONTROLLED DOCUMENT.		DWN S. HOOVER 23-MAR-2005	TE Connectivity			
DIMENSIONS: mm		CHK C. JONES 23-MAR-2005				
TOLERANCES UNLESS OTHERWISE SPECIFIED:		APVD C. JONES 23-MAR-2005	NAME SURFACE MOUNT, RIGHT ANGLE, MECH. HOLD DOWN, ASSEMBLY, TIN HEADER, DUAL ROW, MICRO MATE-N-LOK (TM)			
0 PLC ±		PRODUCT SPEC	SIZE	CAGE CODE	DRAWING NO	RESTRICTED TO
1 PLC ±		APPLICATION SPEC	A2	0779	G-794624	-
2 PLC ±0.13		WEIGHT	SCALE 4:1		SHEET	OF
3 PLC ±		CUSTOMER DRAWING	REV G1			
4 PLC ±						
ANGLES ±						
FINISH						
SEE TABLE						

X-ON Electronics

Largest Supplier of Electrical and Electronic Components

Click to view similar products for [Pin & Socket Connectors](#) category:

Click to view products by [TE Connectivity](#) manufacturer:

Other Similar products are found below :

[6450822-1](#) [770392-1](#) [794042-1](#) [796885-1](#) [8-794535-1](#) [881459-2](#) [R929993003](#) [1-350779-3](#) [1403611-1](#) [1-480349-5](#) [1586092-1](#) [1586129-1](#)
[1586487-1](#) [1586681-4](#) [1586700-1](#) [1586065-1](#) [1586077-1](#) [1586368-1](#) [1586380-1](#) [1586680-5](#) [1586681-2](#) [1604996-1](#) [16-06-0038](#) [164164-5](#) [1-](#)
[6609930-1](#) [172296-1](#) [1-794714-6](#) [19-09-2035](#) [1969804-1](#) [200503-1](#) [200788-2](#) [201046-7](#) [202648-4](#) [2029076-2](#) [2029090-4](#) [2029095-4](#) [2-](#)
[66102-6](#) [925061-7](#) [926681-1](#) [293734-4](#) [293737-2](#) [1-765362-4](#) [1-794606-3](#) [1871534-1](#) [1969795-1](#) [1969798-1](#) [1969800-1](#) [200833-4](#)
[2008625-2](#) [2029027-2](#)