

THIS DRAWING IS UNPUBLISHED.

RELEASED FOR PUBLICATION

- .N/A .

LOC

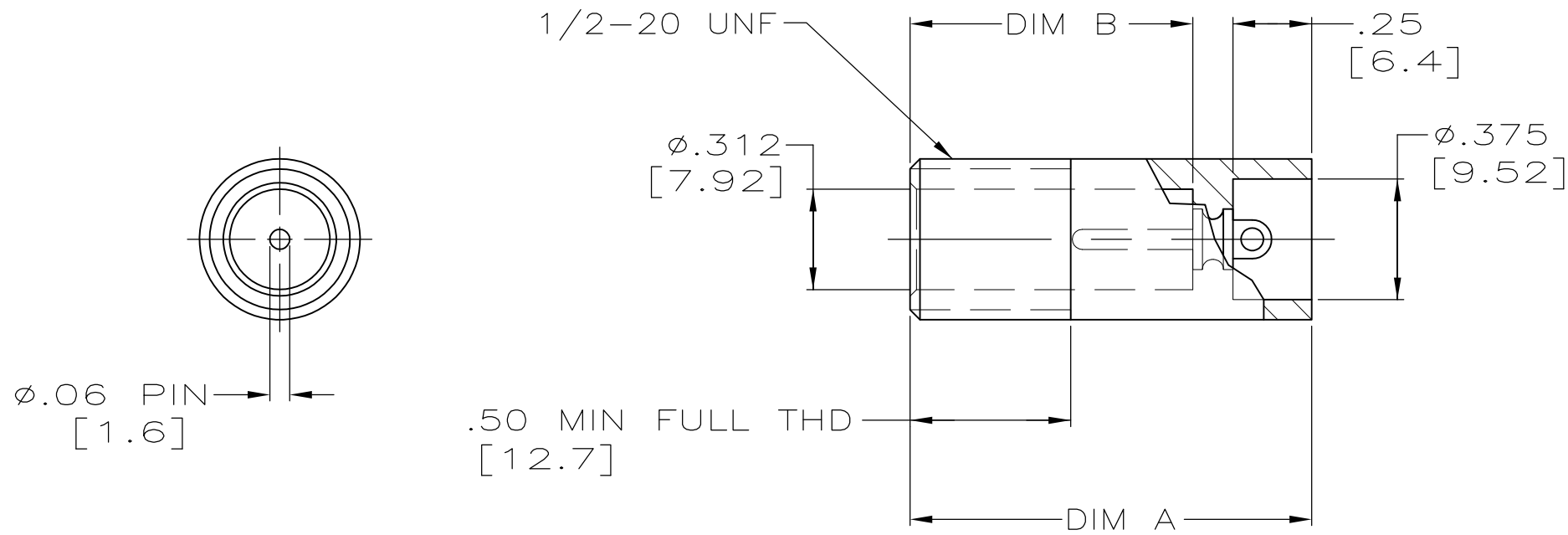
DIST

REVISIONS

© COPYRIGHT N/A By -

ALL RIGHTS RESERVED.

P	LTR	DESCRIPTION	DATE	DWN	APVD
	F	REV PER ECO 12-014181	8-3-12	CT	RG



	.88 [22.4]	1.25 [31.8]	TIN PLATED	5-849610-3
	.88 [22.4]	1.25 [31.8]	GOLD PLATED	849610-4
	.88 [22.4]	1.25 [31.8]	TIN-LEAD PLATED	849610-3
OBSOLETE	1.12 [28.4]	1.50 [38.1]	GOLD PLATED	849610-2
OBSOLETE	1.12 [28.4]	1.50 [38.1]	TIN-LEAD PLATED	849610-1
	DIM B	DIM A	CONTACT PLATING	PART NO.

THIS DRAWING IS A CONTROLLED DOCUMENT.		DWN C.C.THOMAS 05-MAY-97	STE TE Connectivity															
DIMENSIONS: INCHES		CHK S.GLATFELTER 16-JUL-97																
TOLERANCES UNLESS OTHERWISE SPECIFIED:		APVD S.GLATFELTER 16-JUL-97	NAME RECEPTACLE LGH-1 WITH RECESSED TERMINAL															
<table border="0"> <tr><td>0 PLC</td><td>± -</td></tr> <tr><td>1 PLC</td><td>± -</td></tr> <tr><td>2 PLC</td><td>± .02[0.5]</td></tr> <tr><td>3 PLC</td><td>± .005[0.13]</td></tr> <tr><td>4 PLC</td><td>± -</td></tr> <tr><td>ANGLES</td><td>± -</td></tr> </table>		0 PLC	± -	1 PLC	± -	2 PLC	± .02[0.5]	3 PLC	± .005[0.13]	4 PLC	± -	ANGLES	± -	PRODUCT SPEC -	SIZE	CAGE CODE	DRAWING NO	RESTRICTED TO
0 PLC	± -																	
1 PLC	± -																	
2 PLC	± .02[0.5]																	
3 PLC	± .005[0.13]																	
4 PLC	± -																	
ANGLES	± -																	
MATERIAL MOLDED GLASS EPOXY COLOR: BLACK		FINISH -	WEIGHT -	A3	00779	C-849610	-											
CUSTOMER DRAWING			SCALE 2:1	SHEET 1 OF 1	REV F													

X-ON Electronics

Largest Supplier of Electrical and Electronic Components

Click to view similar products for [Standard Circular Connector](#) category:

Click to view products by [TE Connectivity](#) manufacturer:

Other Similar products are found below :

[C015](#) [10F006](#) [001](#) [1](#) [5M2530B10P](#) [600259N006](#) [600273N007](#) [600432N009](#) [6280-2PG-519](#) [6280-3PG-311](#) [6280-3SG-311](#) [6280-7SG-3DC](#)
[6280-7SG-522](#) [6282-5PG-311](#) [6282-6PG-519](#) [6282-8SG-311](#) [6283-11](#) [6283-15](#) [6290](#) [6382-2PG-311](#) [6382-2PG-3DC](#) [6382-2SG-321](#) [6382-2SG-3DC](#) [6382-4SG-516](#) [67-03E20-37P](#) [681-PMG](#) [CXS3102A14S2P](#) [CXS3102A181S](#) [CXS3106A14S6S](#) [MB12P-1](#) [MB12R-6](#) [7251-2PG-300](#) [7251-2SG-300](#) [7251-4PG-300](#) [7251-4SG-300](#) [7251-5PG-300](#) [7251-5SG-300](#) [7251-6SG-300](#) [7251-7PG-300](#) [7251-8PG-300](#) [7271-6SG-300](#) [7282-3PG-300-CH3](#) [73000005663](#) [75-190216-08S](#) [75-190218-10P](#) [75-474118-10P](#) [75-474618-01S](#) [75-474620-07P](#) [799539-000](#) [MI8-SE](#) [80-190222-18P](#) [805-005-07NF11-19PC](#) [805-005-07NF15-7PA](#)