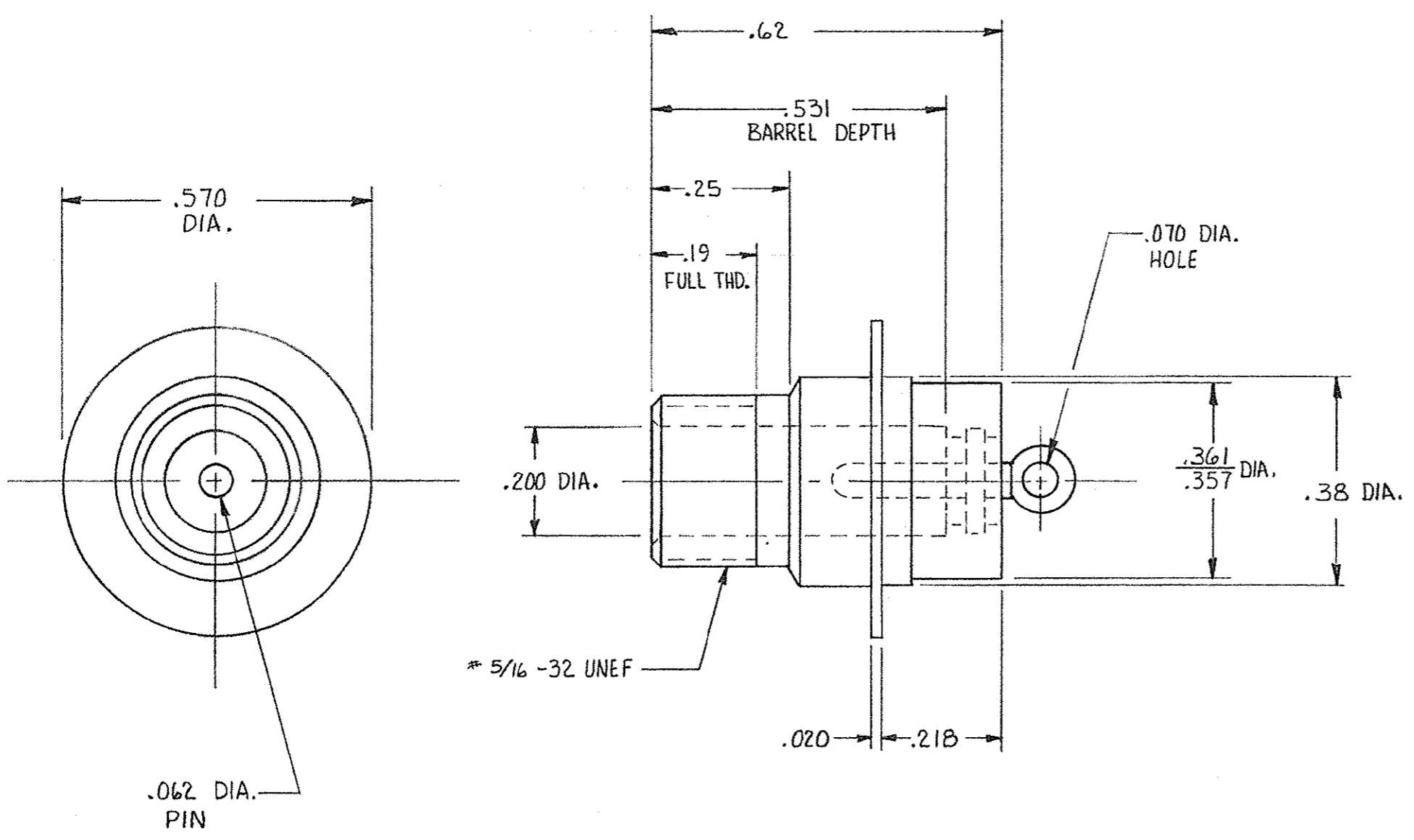


© COPYRIGHT 1976 BY AMP INCORPORATED, HARRISBURG, PA. ALL INTERNATIONAL RIGHTS RESERVED. AMP INCORPORATED PRODUCTS COVERED BY U. S. AND FOREIGN PATENTS AND/OR PATENTS PENDING.

REVISIONS						
P	F	ZONE	LTR	DESCRIPTION	DATE	APPROVED
F	✓		F	REVISED & REDRAWN	DS 11-16-76	<i>M.B.</i>
			G	REVISED PER OH14-0192-05	1-06	PY

UNPUBLISHED COPY NOT TO BE REPRODUCED NOR PUBLISHED WITHOUT WRITTEN PERMISSION OF AMP INCORPORATED.



NOTE:
 1. THIS RECEPTACLE IS HERMETICALLY SEALED.
 2. SCREW THREAD MEASUREMENT IN ACCORDANCE WITH H2B HANDBOOK. (3 WIRE METHOD). USING WIRE .01804 DIA.- MEASUREMENT OVER WIRE SHALL BE .318 / .307.

5-861252-1	AS SHOWN WITH TIN PLATED PIN & FLANGE
861252-1	AS SHOWN WITH TIN-LEAD PLATED PIN & FLANGE

				CONTRACT NO		PART NO	
				DR DIGK STONE 11-16-76		AMP INCORPORATED Elizabethtown, Pa.	
				CHK		NAME	
				APPD <i>M. Anderson</i> 11/10/76		FLANGED RECEPTACLE	
				APPD		LGH - 1/2	
				DSGN APPD		W J H	
				OTHER APPD		SIZE CODE IDENT NO DRAWING NO	
				FINISH		C 00779 861252	
				BLACK		SCALE	
				NEXT ASSY		SHEET 1 OF 1	
				FINAL ASSY			
				NEXT ASSY			
				USED ON			
				QTY REQD		APPLICATION	

X-ON Electronics

Largest Supplier of Electrical and Electronic Components

Click to view similar products for [Heavy Duty Power Connectors](#) category:

Click to view products by [TE Connectivity](#) manufacturer:

Other Similar products are found below :

[1424439](#) [1424438](#) [09330062652](#) [2-8675P1](#) [605601-1](#) [6340G1](#) [6341G1](#) [6360G1](#) [6373G1](#) [6374g2](#) [6396G1](#) [647757-1](#) [66394-4](#) [6643411-1](#)
[6646058-2](#) [6646137-1](#) [6646138-1](#) [6646348-1](#) [6646479-1](#) [6646608-1](#) [6646786-1](#) [6646940-1](#) [6651091-1](#) [6651525-1](#) [6651529-1](#) [6651778-1](#)
[6651788-1](#) [696465-1](#) [696475-1](#) [73000005059](#) [73000005349](#) [73000005642](#) [73080255059](#) [73080965046](#) [765-15-0080A](#) [765-16-0080B](#)
[789.700-44](#) [789.700-54](#) [80-1010](#) [80-9](#) [827381-1](#) [829992-1](#) [902-77-02113](#) [PL00U-301-10D10](#) [PM103MOOLOO](#) [PM16S1620S32-50](#)
[PM212MOOLOO](#) [PM309FOOLOO](#) [PM324FOOLCH](#) [PMHPAF11S03](#)