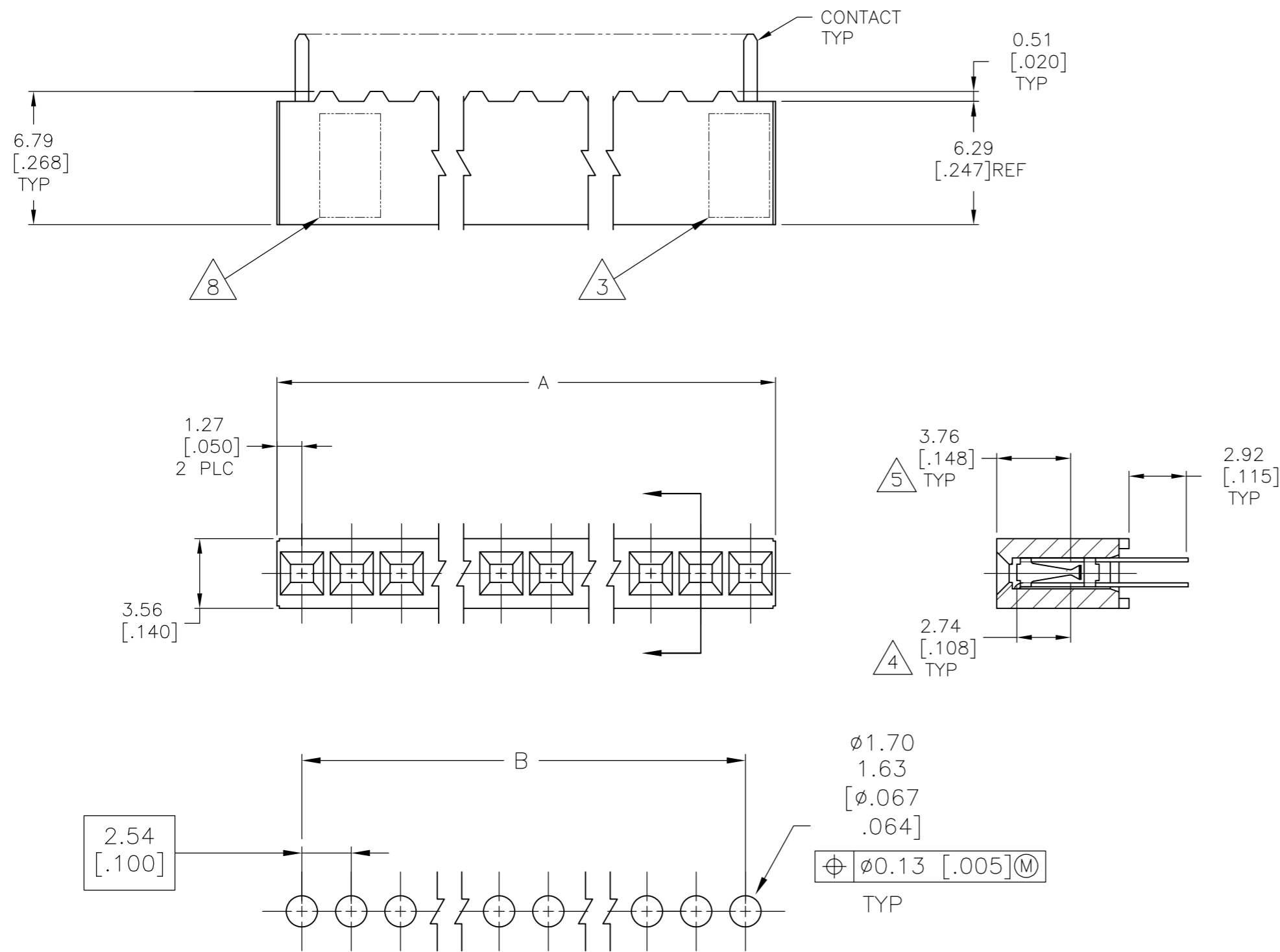


THIS DRAWING IS UNPUBLISHED. RELEASED FOR PUBLICATION
 © COPYRIGHT - By - ALL RIGHTS RESERVED.

| LOC | | DIST | | REVISIONS | | | |
|-----|-----|-------------|---------------------------|-----------|-----|------|--|
| P | LTR | DESCRIPTION | | DATE | DWN | APVD | |
| AD | 00 | AA3 | REVISED PER ECO-11-004917 | 11MAR11 | RK | HMR | |



RECOMMENDED PC BOARD HOLE PATTERN

PC BOARD THICKNESS 1.57 [.062]

- 1 HOUSING: GLASS FILLED FLAME RETARDANT POLYESTER, COLOR BLACK, CONTACTS: PHOSPHOR BRONZE.
- 2 CONTACTS: DUPLEX PLATED 0.76 MICROMETERS [.000030] GOLD IN CONTACT AREA 3.81-7.62 MICROMETERS [.000150-.000300] BRIGHT TIN-LEAD ON SOLDER LEADS. ALL OVER 1.27 [.000050] MIN NICKEL.
- 3 TE CONNECTIVITY, CSA LOGO MOLDED INTO HOUSING.
- 4 POINT OF MEASUREMENT FOR PLATING THICKNESS, MEASURED INSIDE CONTACT BEAMS
- 5 POINT OF CONTACT DIMENSION.
- 6 CONTACTS: DUPLEX PLATED 0.76 MICROMETERS (.000030) GOLD IN CONTACT AREA 3.81-7.62 MICROMETERS (.000150-.000300) MATTE TIN ON SOLDER LEADS. ALL OVER 1.27 (.000050) MIN NICKEL.
- 7 ROHS 2002 /95/EC COMPLIANT.
- 8 PART NUMBER AND DATE CODE MARKED IN APPROXIMATE LOCATION SHOWN.
- 9 NO PART NUMBER MARKING REQUIRED FOR THIS PART.
- 10 FOR 2 POS, DATE CODES MARKED OPPOSITE SIDE OF TE CONNECTIVITY LOGO.
- 11 OBSOLETE PARTS: OBSOLETE CIS STREAMLINING PER D.RENAUD/D.SINISI


| | | | | | |
|-------------|----------------|---------------|------------|-------------|-----------|
| 2 | 5.08 [.200] | 2.54 [.100] | 2 | 9 | 3-87879-9 |
| 2 | 12.70 [.500] | 10.16 [.400] | 5 | 9 | 3-87879-8 |
| 2 | 7.62 [.300] | 5.08 [.200] | 3 | 9 | 3-87879-7 |
| 2 | 10.16 [.400] | 7.62 [.300] | 4 | 9 | 3-87879-6 |
| 11 OBSOLETE | 101.60 [4.000] | 99.06 [3.900] | 40 | | 3-87879-5 |
| 2 | 99.06 [3.900] | 96.52 [3.800] | 39 | | 3-87879-4 |
| 2 | 96.52 [3.800] | 93.98 [3.700] | 38 | | 3-87879-3 |
| 2 | 93.98 [3.700] | 91.44 [3.600] | 37 | | 3-87879-2 |
| 2 | 91.44 [3.600] | 88.90 [3.500] | 36 | | 3-87879-1 |
| 2 | 88.90 [3.500] | 86.36 [3.400] | 35 | | 3-87879-0 |
| 11 OBSOLETE | 86.36 [3.400] | 83.82 [3.300] | 34 | | 2-87879-9 |
| 2 | 83.82 [3.300] | 81.28 [3.200] | 33 | | 2-87879-8 |
| 2 | 81.28 [3.200] | 78.74 [3.100] | 32 | | 2-87879-7 |
| 2 | 78.74 [3.100] | 76.20 [3.000] | 31 | | 2-87879-6 |
| 2 | 76.20 [3.000] | 73.66 [2.900] | 30 | | 2-87879-5 |
| 2 | 73.66 [2.900] | 71.12 [2.800] | 29 | | 2-87879-4 |
| 2 | 71.12 [2.800] | 68.58 [2.700] | 28 | | 2-87879-3 |
| 2 | 68.58 [2.700] | 66.04 [2.600] | 27 | | 2-87879-2 |
| 2 | 66.04 [2.600] | 63.50 [2.500] | 26 | | 2-87879-1 |
| 2 | 63.50 [2.500] | 60.96 [2.400] | 25 | | 2-87879-0 |
| 2 | 60.96 [2.400] | 58.42 [2.300] | 24 | | 1-87879-9 |
| 2 | 58.42 [2.300] | 55.88 [2.200] | 23 | | 1-87879-8 |
| 11 OBSOLETE | 55.88 [2.200] | 53.34 [2.100] | 22 | | 1-87879-7 |
| 2 | 53.34 [2.100] | 50.80 [2.000] | 21 | | 1-87879-6 |
| 2 | 50.80 [2.000] | 48.26 [1.900] | 20 | | 1-87879-5 |
| 2 | 48.26 [1.900] | 45.72 [1.800] | 19 | | 1-87879-4 |
| 2 | 45.72 [1.800] | 43.18 [1.700] | 18 | | 1-87879-3 |
| 2 | 43.18 [1.700] | 40.64 [1.600] | 17 | | 1-87879-2 |
| 2 | 40.64 [1.600] | 38.10 [1.500] | 16 | | 1-87879-1 |
| 11 OBSOLETE | 38.10 [1.500] | 35.56 [1.400] | 15 | | 1-87879-0 |
| 2 | 35.56 [1.400] | 33.02 [1.300] | 14 | | 87879-9 |
| 2 | 33.02 [1.300] | 30.48 [1.200] | 13 | | 87879-8 |
| 2 | 30.48 [1.200] | 27.94 [1.100] | 12 | | 87879-7 |
| 2 | 27.94 [1.100] | 25.40 [1.000] | 11 | | 87879-6 |
| 2 | 22.86 [.900] | 20.32 [.800] | 9 | | 87879-5 |
| 2 | 17.78 [.700] | 15.24 [.600] | 7 | | 87879-4 |
| 2 | 15.24 [.600] | 12.70 [.500] | 6 | | 87879-3 |
| 2 | 25.40 [1.00] | 22.86 [.900] | 10 | | 87879-2 |
| 2 | 20.32 [.800] | 17.78 [.700] | 8 | | 87879-1 |
| FINISH | A | B | NO OF POSN | PART NUMBER | |

| | | | | | | | | |
|--|--|------------------|-----------|----------|---|-----------------|------------|---------------|
| THIS DRAWING IS A CONTROLLED DOCUMENT. | | DWN | J KNAUB | 12-20-93 | | TE Connectivity | | |
| DIMENSIONS: mm [INCHES] | | CHK | A GABANY | 6-28-94 | | NAME | | |
| TOLERANCES UNLESS OTHERWISE SPECIFIED: | | APVD | - | - | CONNECTOR ASSEMBLY, MOD IV, SINGLE ROW .100CL, DUAL ENTRY | | | |
| 0 PLC ± - | | PRODUCT SPEC | 108-25022 | | SIZE | CAGE CODE | DRAWING NO | RESTRICTED TO |
| 1 PLC ± - | | APPLICATION SPEC | 114-25018 | | A2 | 00779 | C=87879 | - |
| 2 PLC ± - | | MATERIAL | 1 | | SCALE | SHEET | REV | AA3 |
| 3 PLC ± .127 [.005] | | FINISH | 2 6 | | 4:1 | 1 of 2 | | |
| 4 PLC ± - | | CUSTOMER DRAWING | | | | | | |
| 4 PLC ANGLES ± - | | | | | | | | |

THIS DRAWING IS UNPUBLISHED. RELEASED FOR PUBLICATION
 © COPYRIGHT - By - ALL RIGHTS RESERVED.

| LOC | DIST | REVISIONS | | | | | |
|-----|------|-----------|-----|-------------|------|-----|------|
| AD | 00 | P | LTR | DESCRIPTION | DATE | DWN | APVD |
| | | - | | SEE SHEET 1 | - | - | - |

| FINISH | A | B | NO OF POSN | PART NUMBER |
|----------|---------------|--------------|------------|-------------|
| OBSOLETE | 5.08[.200] | 2.54[.100] | 2 | 8-87879-9 |
| OBSOLETE | 12.70[.500] | 10.16[.400] | 5 | 8-87879-8 |
| OBSOLETE | 7.62[.300] | 5.08[.200] | 3 | 8-87879-7 |
| OBSOLETE | 10.16[.400] | 7.62[.300] | 4 | 8-87879-6 |
| OBSOLETE | 101.60[4.000] | 99.06[3.900] | 40 | 8-87879-5 |
| OBSOLETE | 99.06[3.900] | 96.52[3.800] | 39 | 8-87879-4 |
| OBSOLETE | 96.52[3.800] | 93.98[3.700] | 38 | 8-87879-3 |
| OBSOLETE | 93.98[3.700] | 91.44[3.600] | 37 | 8-87879-2 |
| OBSOLETE | 91.44[3.600] | 88.90[3.500] | 36 | 8-87879-1 |
| OBSOLETE | 88.90[3.500] | 86.36[3.400] | 35 | 8-87879-0 |
| OBSOLETE | 86.36[3.400] | 83.82[3.300] | 34 | 7-87879-9 |
| OBSOLETE | 83.82[3.300] | 81.28[3.200] | 33 | 7-87879-8 |
| OBSOLETE | 81.28[3.200] | 78.74[3.100] | 32 | 7-87879-7 |
| OBSOLETE | 78.74[3.100] | 76.20[3.000] | 31 | 7-87879-6 |
| OBSOLETE | 76.20[3.000] | 73.66[2.900] | 30 | 7-87879-5 |
| OBSOLETE | 73.66[2.900] | 71.12[2.800] | 29 | 7-87879-4 |
| OBSOLETE | 71.12[2.800] | 68.58[2.700] | 28 | 7-87879-3 |
| OBSOLETE | 68.58[2.700] | 66.04[2.600] | 27 | 7-87879-2 |
| OBSOLETE | 66.04[2.600] | 63.50[2.500] | 26 | 7-87879-1 |
| OBSOLETE | 63.50[2.500] | 60.96[2.400] | 25 | 7-87879-0 |
| OBSOLETE | 60.96[2.400] | 58.42[2.300] | 24 | 6-87879-9 |
| OBSOLETE | 58.42[2.300] | 55.88[2.200] | 23 | 6-87879-8 |
| OBSOLETE | 55.88[2.200] | 53.34[2.100] | 22 | 6-87879-7 |
| OBSOLETE | 53.34[2.100] | 50.80[2.000] | 21 | 6-87879-6 |
| OBSOLETE | 50.80[2.000] | 48.26[1.900] | 20 | 6-87879-5 |
| OBSOLETE | 48.26[1.900] | 45.72[1.800] | 19 | 6-87879-4 |
| OBSOLETE | 45.72[1.800] | 43.18[1.700] | 18 | 6-87879-3 |
| OBSOLETE | 43.18[1.700] | 40.64[1.600] | 17 | 6-87879-2 |
| OBSOLETE | 40.64[1.600] | 38.10[1.500] | 16 | 6-87879-1 |
| OBSOLETE | 38.10[1.500] | 35.56[1.400] | 15 | 6-87879-0 |
| OBSOLETE | 35.56[1.400] | 33.02[1.300] | 14 | 5-87879-9 |
| OBSOLETE | 33.02[1.300] | 30.48[1.200] | 13 | 5-87879-8 |
| OBSOLETE | 30.48[1.200] | 27.94[1.100] | 12 | 5-87879-7 |
| OBSOLETE | 27.94[1.100] | 25.40[1.000] | 11 | 5-87879-6 |
| OBSOLETE | 22.86[.900] | 20.32[.800] | 9 | 5-87879-5 |
| OBSOLETE | 17.78[.700] | 15.24[.600] | 7 | 5-87879-4 |
| OBSOLETE | 15.24[.600] | 12.70[.500] | 6 | 5-87879-3 |
| OBSOLETE | 25.40[1.00] | 22.86[.900] | 10 | 5-87879-2 |
| OBSOLETE | 20.32[.800] | 17.78[.700] | 8 | 5-87879-1 |

| | | | | | | |
|--|---------------|-------------------------------|---|--------------------|-----------------------|--------------------|
| THIS DRAWING IS A CONTROLLED DOCUMENT. | | DWN J KNAUB 12-20-93 |  TE Connectivity | | | |
| DIMENSIONS: mm [INCHES] | | CHK A GABANY 6-28-94 | | | | |
| TOLERANCES UNLESS OTHERWISE SPECIFIED: | | APVD - | NAME CONNECTOR ASSEMBLY, MOD IV, SINGLE ROW .100CL, DUAL ENTRY | | | |
| 0 PLC ± - 1 PLC ± - 2 PLC ± - 3 PLC ± .127[.005] 4 PLC ± - ANGLES ± - | | PRODUCT SPEC 108-25022 | SIZE A2 | CAGE CODE 00779 | DRAWING NO C=87879 | RESTRICTED TO - |
| MATERIAL 1 | FINISH 2 6 | APPLICATION SPEC 114-25018 | WEIGHT - | SCALE 1:1 | SHEET 2 OF 2 | REV AA3 |
| CUSTOMER DRAWING | | | | | | |

X-ON Electronics

Largest Supplier of Electrical and Electronic Components

Click to view similar products for [Headers & Wire Housings](#) category:

Click to view products by [TE Connectivity](#) manufacturer:

Other Similar products are found below :

[95000-104TRLF](#) [10135584-644402LF](#) [DF62W-EP2022PCA](#) [95000-106TRLF](#) [DF62W-2022SCA](#) [DF62W-EP2022PC](#) [2203348](#) [DF62W-2022SC](#) [1084018](#) [1029039](#) [1084017](#) [802-10-012-10-002000](#) [1112640](#) [1112639](#) [000-34000](#) [0009482033](#) [0009507031](#) [57102-S06-03LF](#) [57202-S52-04LF](#) [PCN6-15S-2.5E](#) [0039019024](#) [58102-G61-06LF](#) [582553-1](#) [0009485154](#) [0009508121](#) [0022285053](#) [0050291907](#) [018731A](#) [LY20-4P-DT1-P1E-BR](#) [02.125.8002.8](#) [60101931](#) [60598-1 \(Cut Strip\)](#) [M1625-3R/100](#) [61062-3](#) [61082-181009](#) [636-1427](#) [638009-1](#) [641938-9](#) [641991-4](#) [644168-1](#) [647662-1](#) [65039-019ELF](#) [65817-002LF](#) [65817-015LF](#) [65863-015LF](#) [66207-023LF](#) [67016-026LF](#) [67046-001LF](#) [67095-007LF](#) [67230-005LF](#)