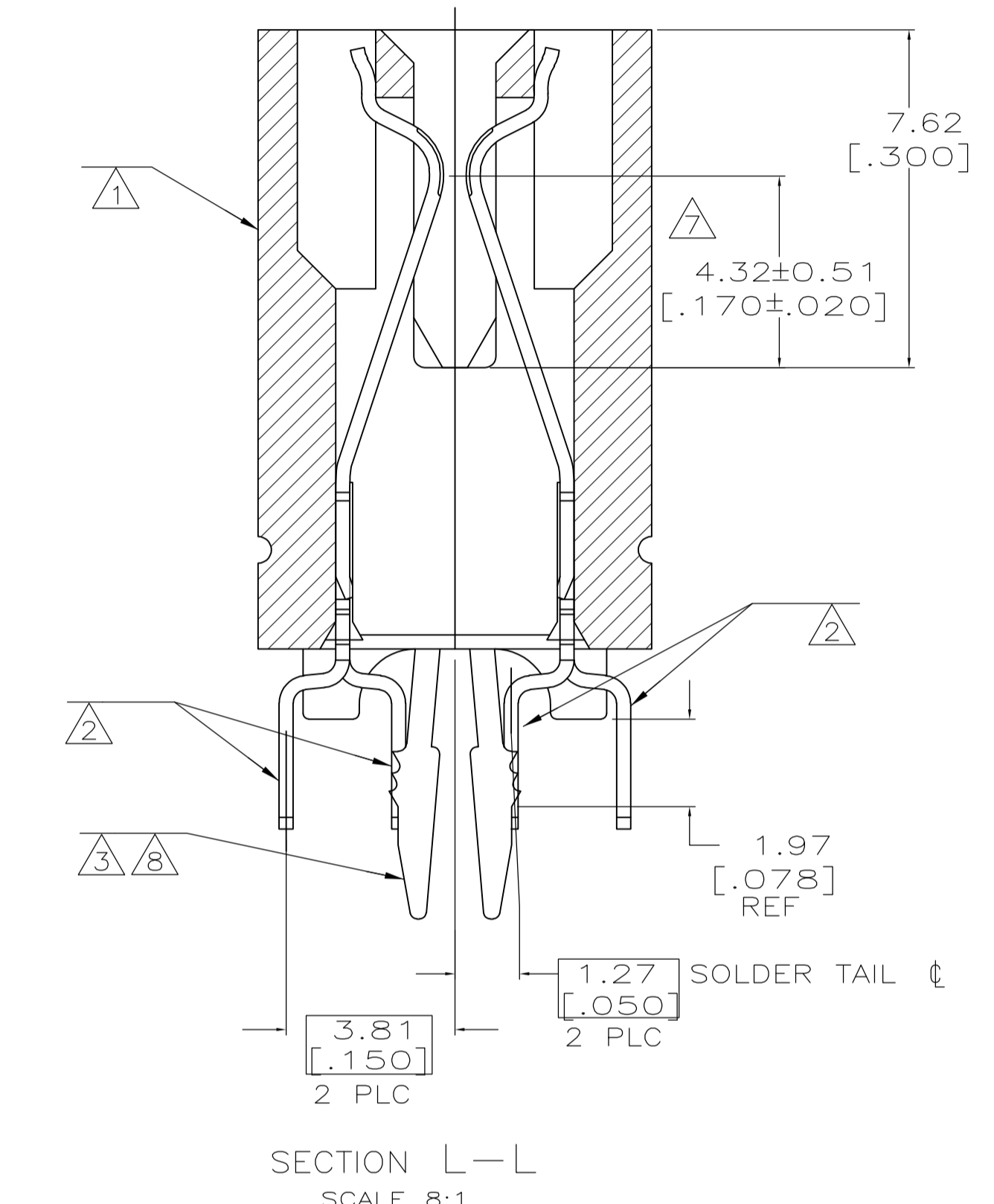
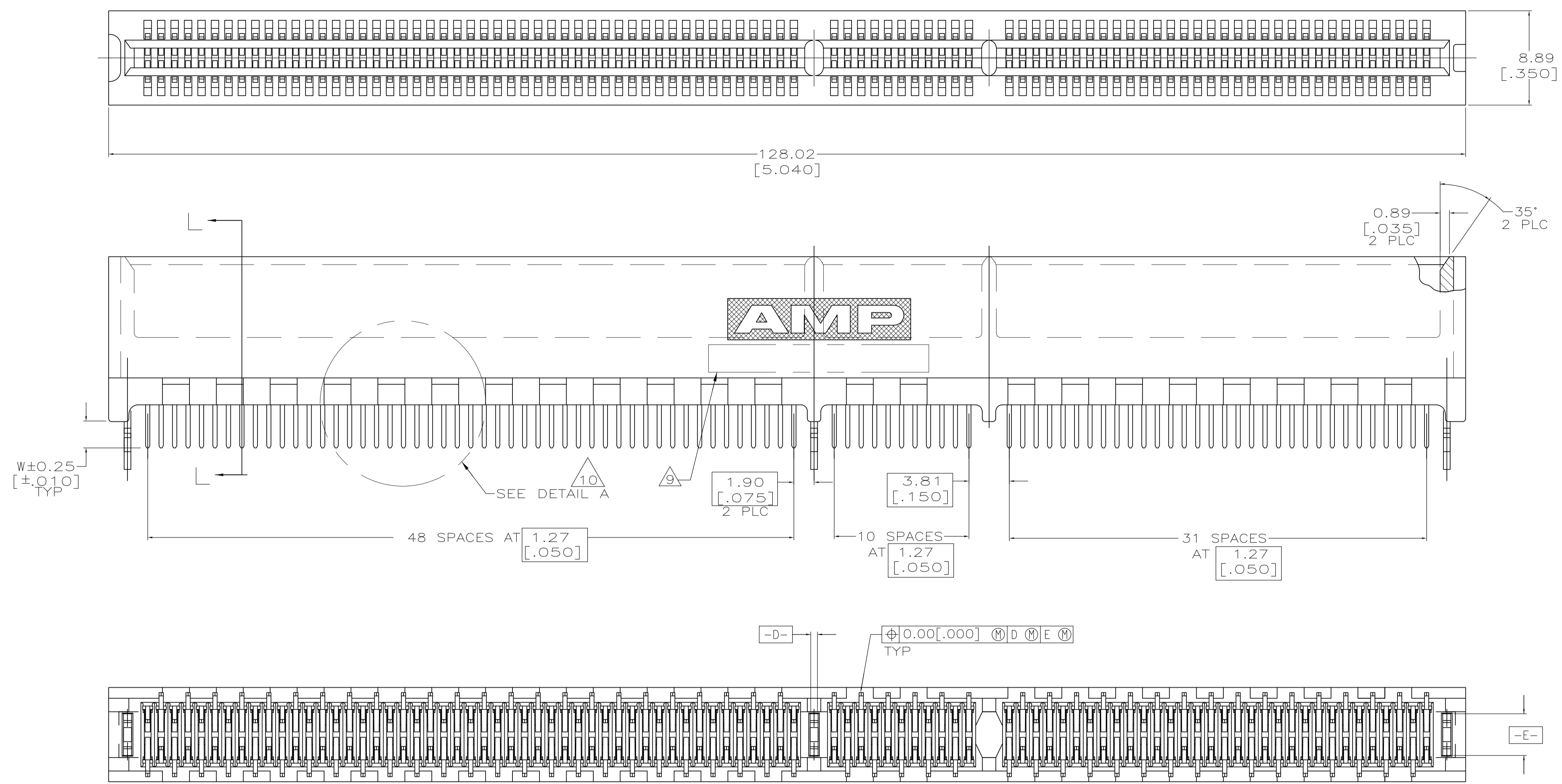
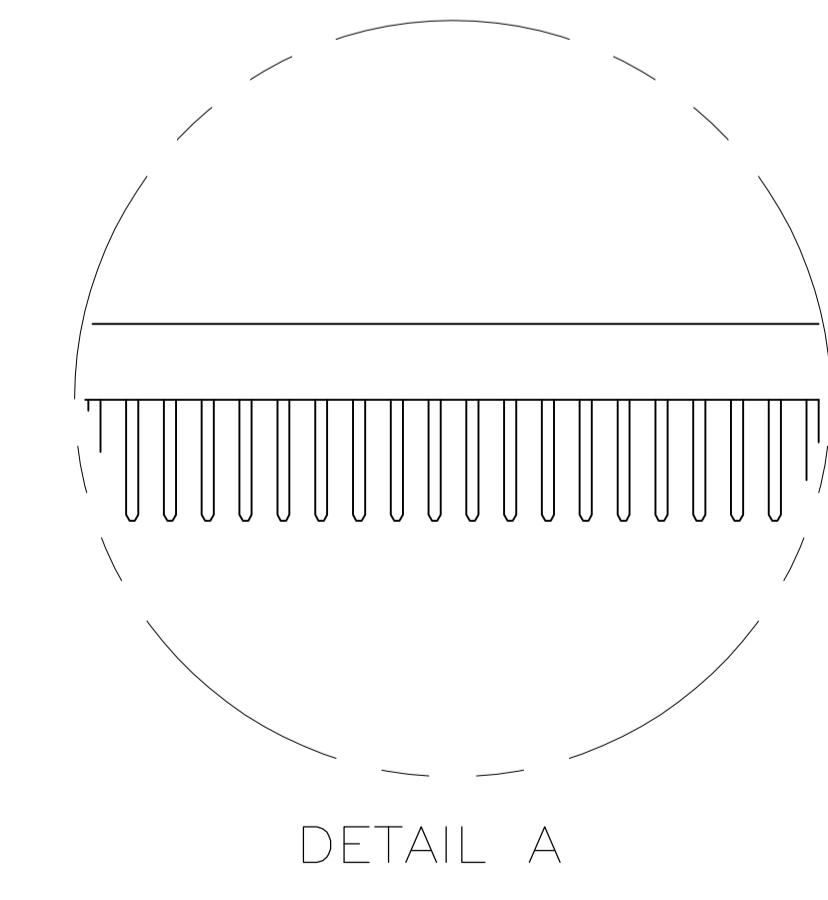


LOC	DIST	REVISIONS			
GP	00	REV	DESCRIPTION	DATE	BY
		B	REVISED PER 0515-0085-05	10 MAY 05	AWF/AWF
		B1	REVISED PER ECO-10-000444	19JAN10	KK/HMR



SEE SHEET 2 FOR HOLE PATTERN



- 1 HOUSING: HIGH TEMPERATURE THERMOPLASTIC. COLOR - NATURAL
- 2 CONTACT: PHOSPHOR BRONZE.
- 3 METAL HOLD DOWN: BRASS
- 4 CONTACT FINISH: .001269[.000050] MIN NICKEL ALL OVER. GOLD FLASH OVER NICKEL IN CONTACT AREA. .002537[.000100] MIN MATTE TIN OVER NICKEL ON SOLDER TAILS.
- 5 CONTACT FINISH: .001269[.000050] MIN NICKEL ALL OVER. .000375[.000015] GOLD OVER NICKEL IN CONTACT AREA. .002537[.000100] MIN MATTE TIN OVER NICKEL ON SOLDER TAILS.
- 6 CONTACT FINISH: .001269[.000050] MIN NICKEL ALL OVER. .000757[.000030] GOLD OVER NICKEL IN CONTACT AREA. .002537[.000100] MIN MATTE TIN OVER NICKEL ON SOLDER TAILS.
- 7 DISTANCE FROM CONTACT POINT TO BOTTOM OF CARD SLOT.
- 8 METAL HOLD DOWN FINISH: .001269[.000050] MIN NICKEL ALL OVER, .003809[.000150] MIN MATTE TIN ALL OVER.
- 9 AMP PART NUMBER, DATE CODE AND CSA LOGO MARKED IN APPROXIMATE LOCATION SHOWN.
- 10 CORED OR SOLID SIDE WALLS ARE AT DISCRETION OF AMP INCORPORATED.
- 11 OBSOLETE PARTS: OBSOLETE CIS STREAMLINING PER D.RENAUD/D.SINISI

3.56 [.140]	1-5145169-2
3.18 [.125]	5145169-8
2.54 [.100]	5145169-4
2.54 [.100]	5145169-2
2.54 [.100]	5145169-1

W FINISH PART NUMBER

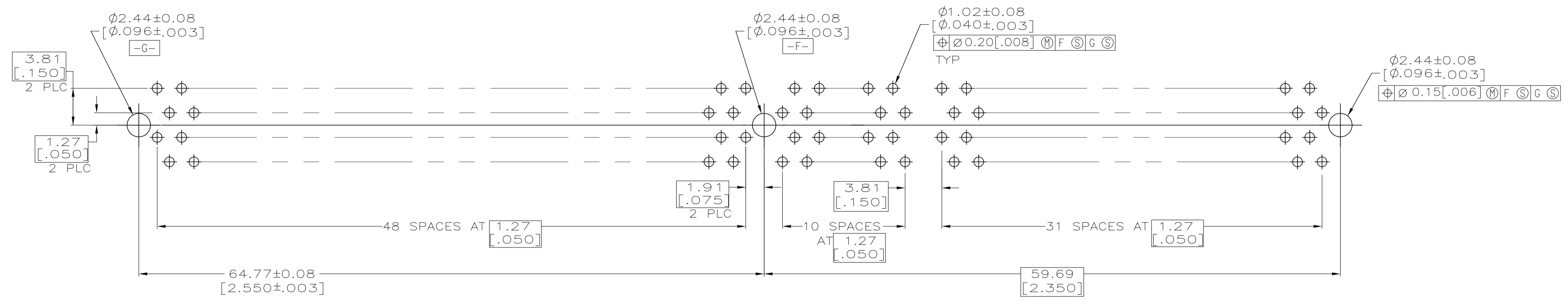
THIS DRAWING IS A CONTROLLED DOCUMENT.

DIMENSIONS: mm	TOLERANCES UNLESS OTHERWISE SPECIFIED:	0 PLC ± -	1 PLC ± -	2 PLC ± .01	3 PLC ± .005	4 PLC ± -	ANGLES ± °
----------------	--	-----------	-----------	-------------	--------------	-----------	------------

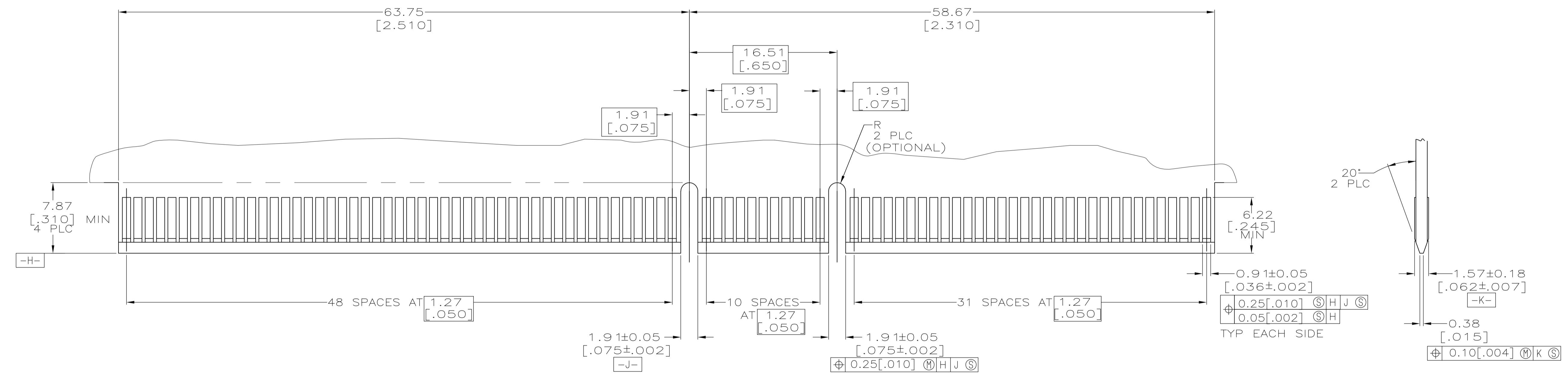
AL FRANTUM 06 MAY 05	AL FRANTUM 06 MAY 05	AL FRANTUM 06 MAY 05	AL FRANTUM 06 MAY 05
PRODUCT SPEC 108-14034	APPLICATION SPEC 114-26012	WEIGHT -	SIZE CAGE CODE DRAWING NO. A1 00779 C=5145169
CUSTOMER DRAWING		SCALE 4:1	SHEET 1 OF 2 REV B1

Tyco Electronics Corporation
 Harrisburg, Pa 17105-3608

CONNECTOR ASSEMBLY, 92 DUAL POSITION, .050 SERIES, STANDARD EDGE



RECOMMENDED CONNECTOR MOUNTING HOLE PATTERN
(CONNECTOR SIDE SHOWN)



RECOMMENDED MATING BOARD EDGE CONFIGURATION

THIS DRAWING IS A CONTROLLED DOCUMENT.		DWN AL FRANTUM 06 MAY 05 CHK AL FRANTUM 06 MAY 05 APVD	Tyco Electronics Corporation Harrisburg, Pa 17105-3608
DIMENSIONS: mm	TOLERANCES UNLESS OTHERWISE SPECIFIED: 0 PLC ± - 1 PLC ± - 2 PLC ± .01 3 PLC ± .005 4 PLC ± - ± 2° ANGLES	PRODUCT SPEC 108-14034 APPLICATION SPEC 114-26012	NAME CONNECTOR ASSEMBLY, 92 DUAL POSITION, .050 SERIES, STANDARD EDGE SIZE CAGE CODE DRAWING NO. RESTRICTED TO A1 00779 C=5145169 - WEIGHT CUSTOMER DRAWING SCALE 4:1 SHEET 2 OF 2 REV B1

X-ON Electronics

Largest Supplier of Electrical and Electronic Components

Click to view similar products for [PCI Express/PCI Connectors](#) category:

Click to view products by [TE Connectivity](#) manufacturer:

Other Similar products are found below :

[UEX220-6U](#) [0877159203](#) [10039755-10110TLF](#) [10025026-10003PLF](#) [10125756-980000LF](#) [1-1871239-2](#) [2170560-2](#) [10082378-11003TLF](#)
[10125756-980000LF](#) [1775861-2](#) [10039755-10111TLF](#) [EB220-3U](#) [WD2M144WB2R300](#) [10061913-120PLF](#) [10108777-10002WLF](#)
[GPCP146400111HR](#) [10144667-112Y0LF](#) [10144667-113Y0LF](#) [205058-1001](#) [GPCP446200120HR](#) [GPCP245400111HR](#) [10082378-10000TLF](#)
[10082378-10001TLF](#) [87715-9256](#) [MDT580M03001](#) [0877159107](#) [205058-1003](#) [MDT580M01001](#) [10018783-11000MLF](#) [10061913-103BLF](#)
[10145445-10003MLF](#) [PSASF2130311TR](#) [10147430-113T0LF](#) [10146070-113Y0LF](#) [MDT670M01005](#) [10108777-10200MLF](#)
[MDT420M01002](#) [PSASF3130211TR](#) [PSASF4130051TR](#) [PSASM2130412TR](#) [PSASM2130391TR](#) [10139595-111T0LF](#) [10139595-110T0LF](#)
[PSASF3130131TR](#) [0745400501](#) [7-1734774-7](#) [10150900-052R2LF](#) [3-1761465-1](#) [74540-0501](#) [10018784-10011TLF](#)