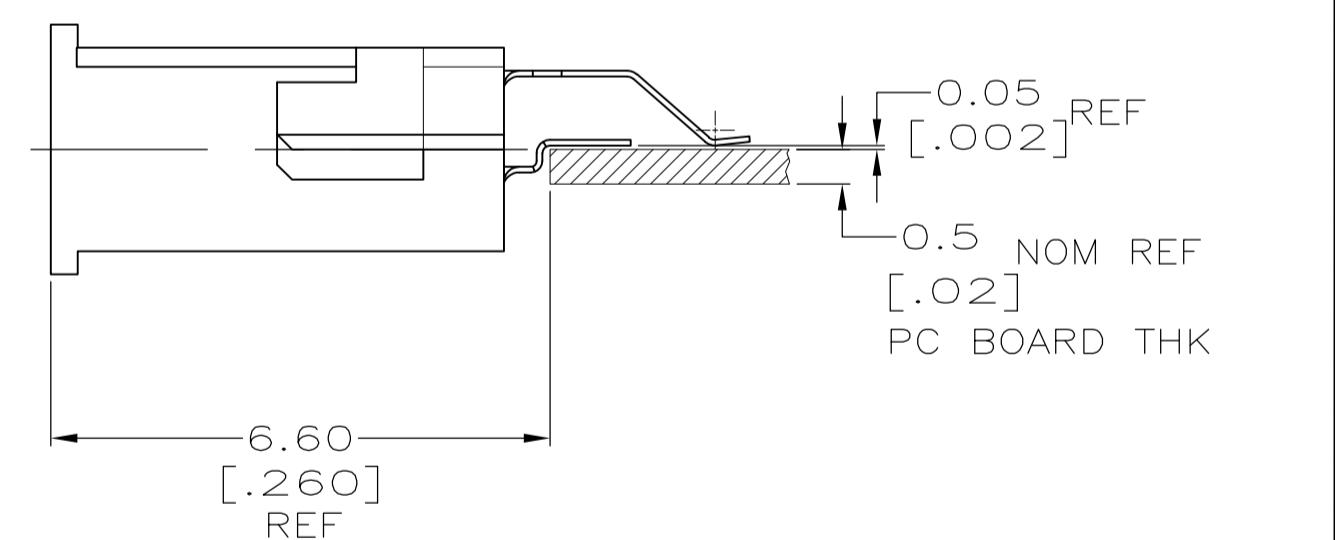
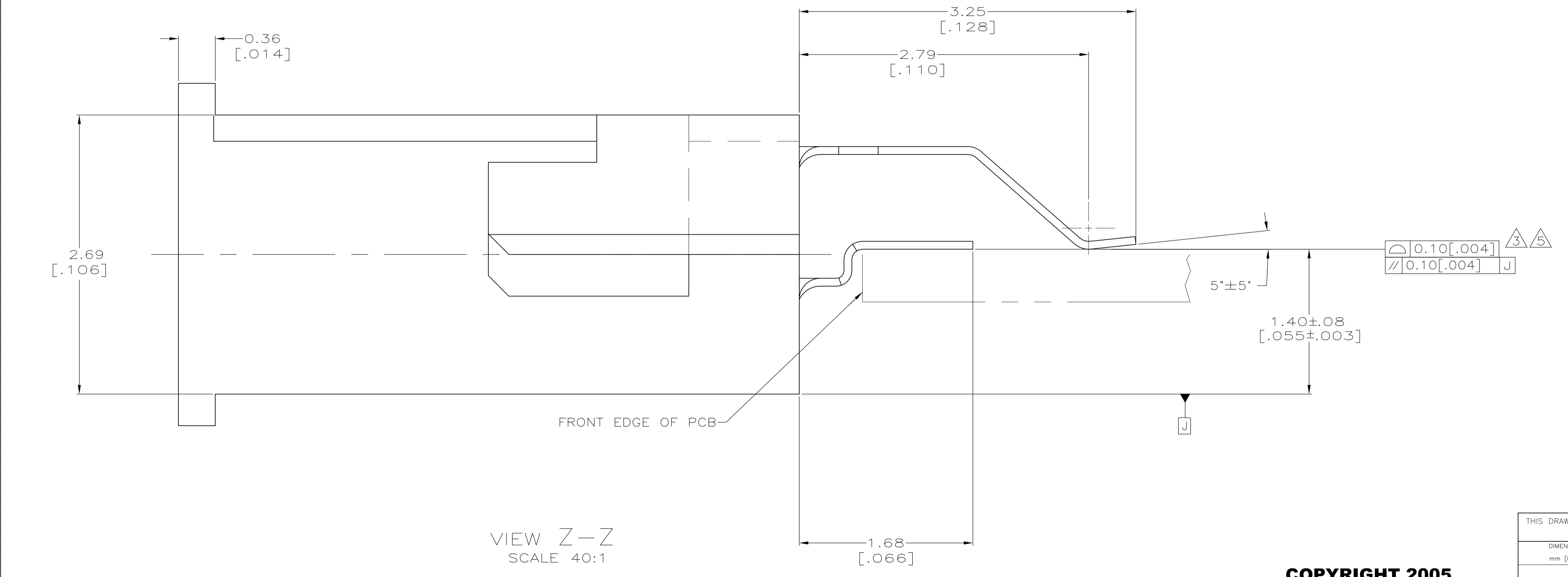
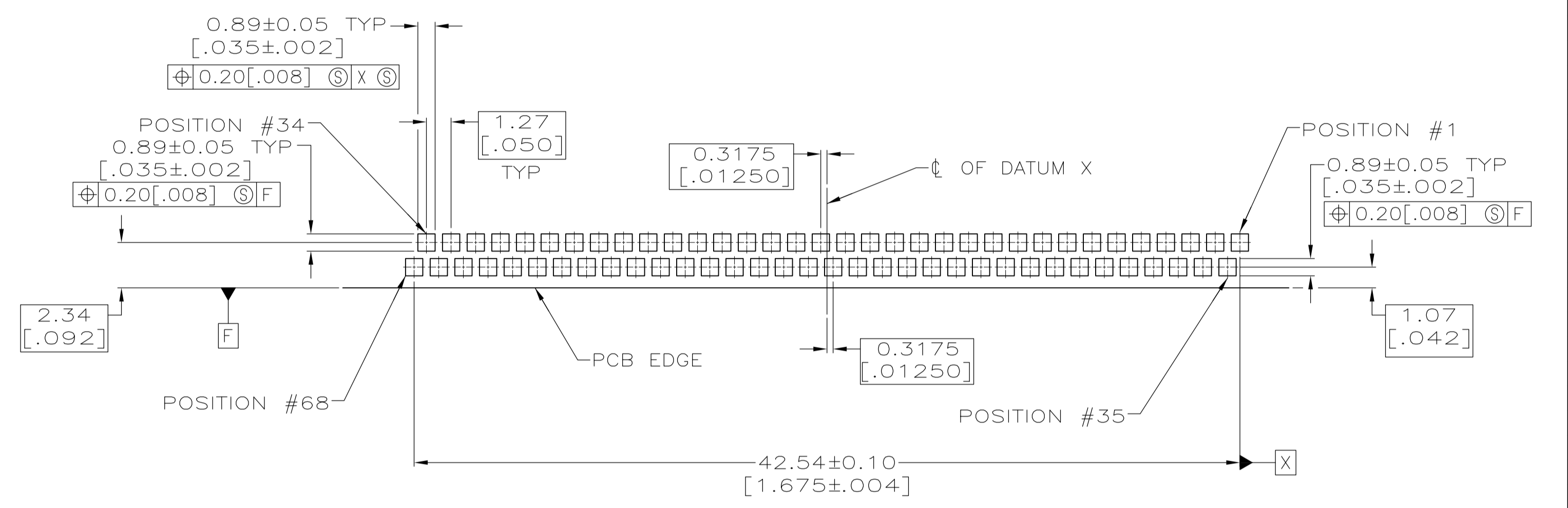
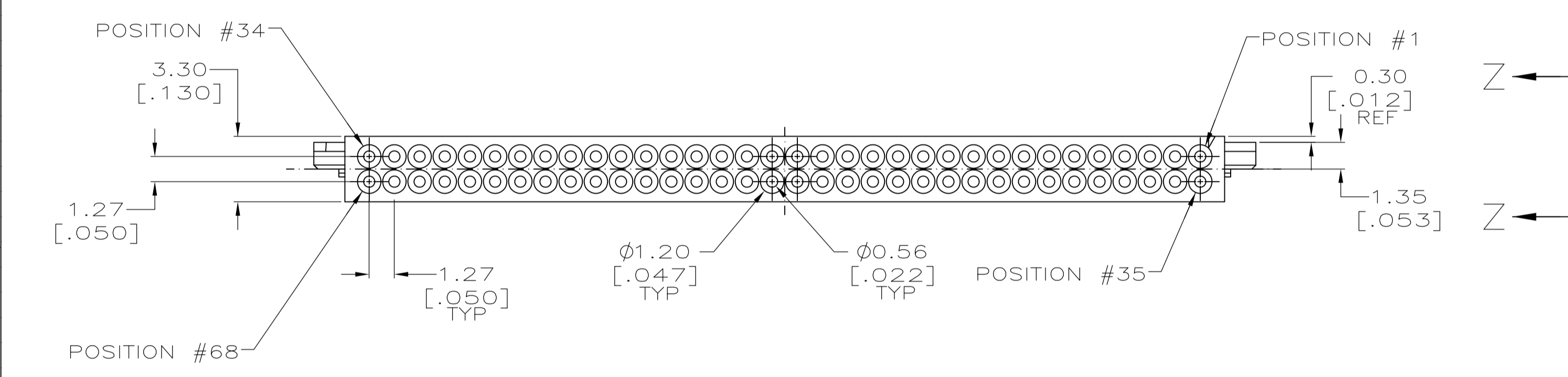
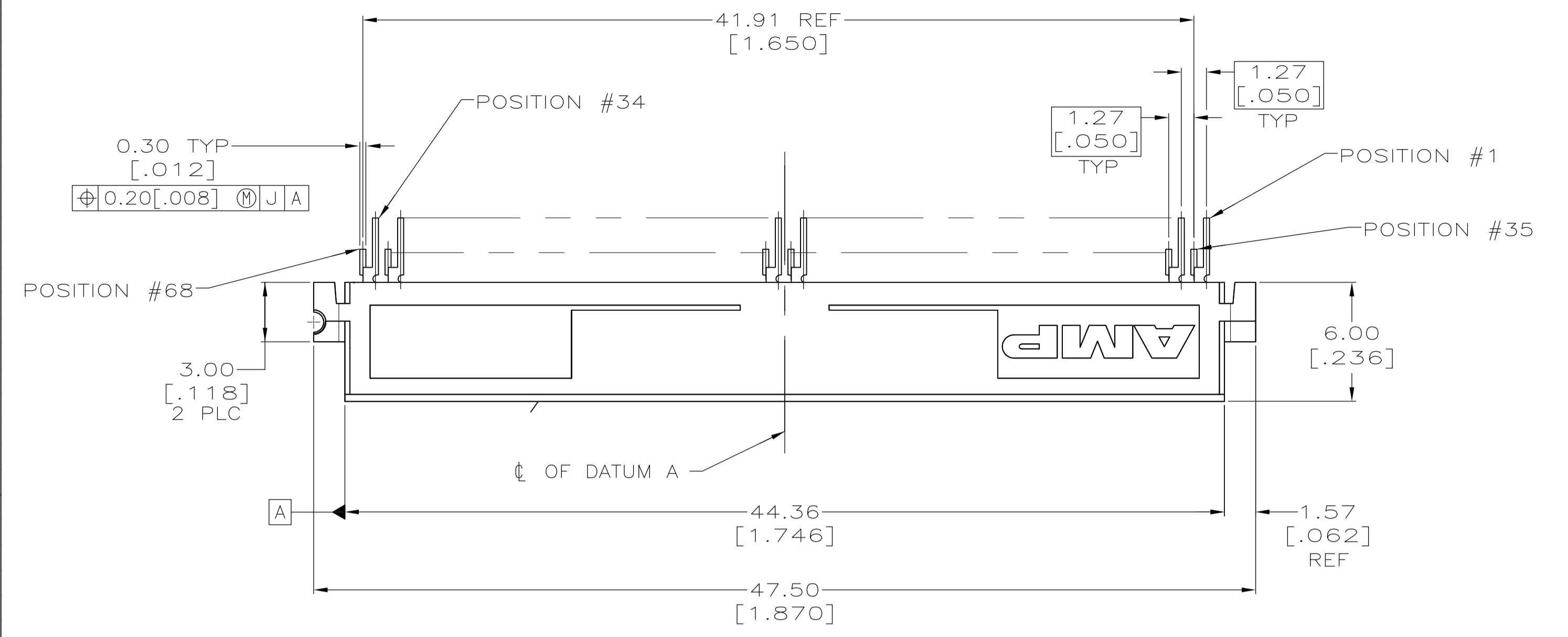


LOC		DIST		REVISIONS			
GP	00	P	LTR	DESCRIPTION	DATE	DMN	APVD
A1				REVISED PER ECO-13-020110	03JAN2014	CJV	EDB



VIEW Z-Z
SCALE 40:1

PC BOARD LOCATION
SCALE 10:1

- ① HOUSING: LCP, GLASS FILLED, COLOR: BLACK.
- ② CONTACT: BERYLLIUM COPPER.
- ③ DIMENSION IN REFERENCE TO LOWEST POINT OF EACH LEAD.
- ④ POINT OF CONTACT 2.3[.091] REF FROM MATING FACE.
- ⑤ APPLIES TO ALL SOLDER TAILS.
- ⑥ PACKAGED IN 56mm WIDE TAPE AND REEL.
- ⑦ PACKAGED IN 72mm WIDE TAPE AND PLASTIC REEL.
- ⑧ CONTACTS: 0.00076[.000030] MINIMUM GOLD ON MATING AREA 0.00064[.000025] MINIMUM SEMI-BRIGHT NICKEL ON MATING AREA 0.00254[.000100] MINIMUM MATTE TIN ON SOLDER TAIL, ALL OVER 0.00127[.000050] MATTE NICKEL.

**COPYRIGHT 2005
TYCO ELECTRONICS CORP
ALL RIGHTS RESERVED**

THIS DRAWING IS A CONTROLLED DOCUMENT.		DIN A FERNANDEZ-DOCKS 02-21-05		5146228-4	
DIMENSIONS: mm [INCHES]		CHK S BOLASH 02-21-05		5146228-3	
TOLERANCES UNLESS OTHERWISE SPECIFIED:		APVD M WALMSLEY 02-21-05		PART NUMBER	
0 PLC ± -	1 PLC ± -	NAME RECEPTACLE ASSEMBLY, SURFACE MOUNT, 68 POSITION, ZERO OFFSET, AMP MEMORY CARD		RESTRICTED TO	
2 PLC ± -	3 PLC ± 0.13[.005]	APPLICATION SPEC		SIZE CAGE CODE DRAWING NO	
4 PLC ± ± 0.37	ANGLES ± ± 0.37	WEIGHT		A1 00779 C=5146228	
MATERIAL	FINISH	CUSTOMER DRAWING		SCALE 5:1 SHEET 1 OF 1 REV A1	

X-ON Electronics

Largest Supplier of Electrical and Electronic Components

Click to view similar products for [Memory Card Connectors](#) category:

Click to view products by [TE Connectivity](#) manufacturer:

Other Similar products are found below :

[M10-597810-355](#) [M21-033321-005](#) [6426-201-21343](#) [69.920.0553.0](#) [MCR60A-98D-2.54DSA\(70\)](#) [FCN-568P068-G/07-4V](#) [809180410000000](#)
[95622-003LF](#) [DM3AT-SF-PEJM5\(41\)](#) [EN2997S72039F6](#) [N7E50-7516PG-20-WF](#) [IC11S-BUR-PNEJL\(71\)](#) [NX30TA-15PAA\(50\)](#) [21920-5](#)
[2041353-2](#) [FUA006-3220-0](#) [33CFAE-DN](#) [MI21A-50PD-SF-EJR\(91\)](#) [502431-1011](#) [5175651-2](#) [10-247926-166](#) [EN2997S02039B8](#)
[EN2997S61212BN](#) [EN2997S72039B6](#) [EN2997SE02039B8](#) [EN2997SE61212BN](#) [EN2997SE72039B6](#) [71-252718-32P](#) [NX1-32T-KT3K\(05\)](#)
[95622-003LF](#) [91-570124-15P](#) [192900-0488](#) [DM1AA-SF-PEJ](#) [95079-00CALF](#) [84648-056HLF](#) [68-580163-21S](#) [33DVIR-29S12R](#)
[SF58S006VBBR2000](#) [93-570123-08P](#) [GMC020080HR](#) [125A-78C00](#) [1010040575#](#) [MI20A-50PD-SF-EJL\(71\)](#) [KP10S-SF-PEJ\(812\)](#)
[DM1AA-SF-PEJ\(31\)](#) [FO-10GGBLCX20-002](#) [504536-0691](#) [115S-ACA2](#) [115S-ACA3](#) [115S-BS00](#)