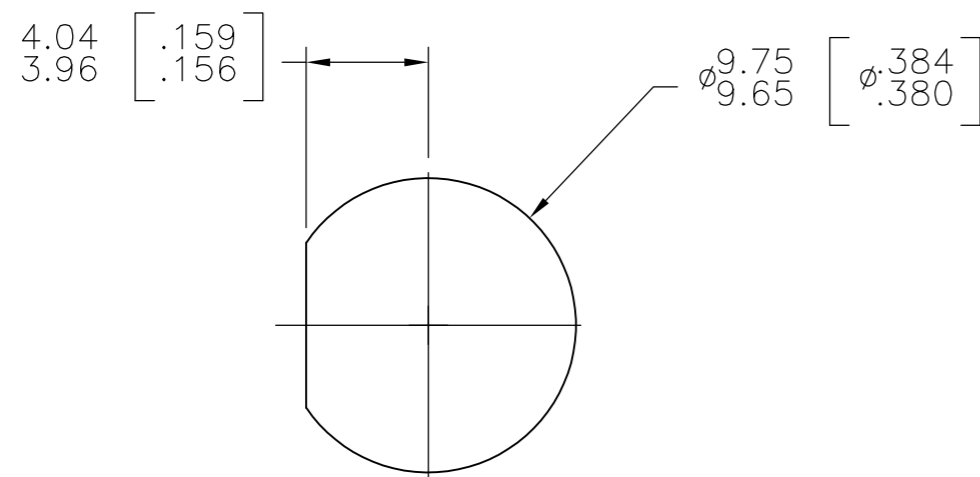
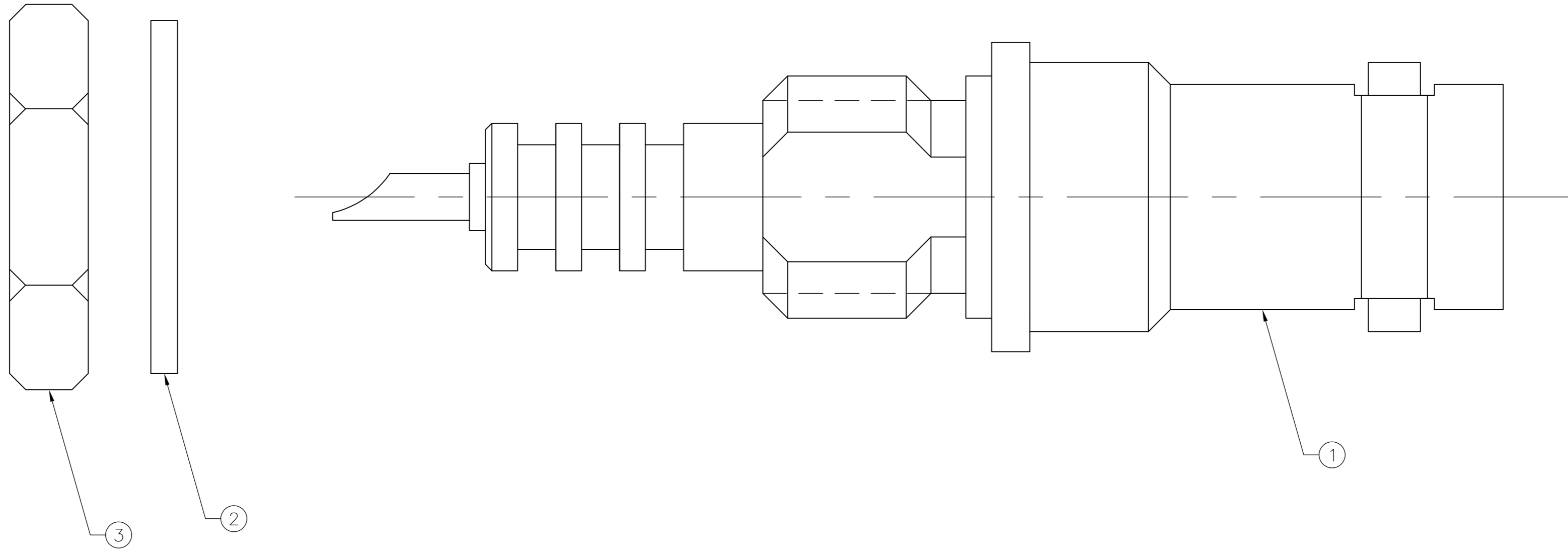


THIS DRAWING IS UNPUBLISHED. RELEASED FOR PUBLICATION  
 © COPYRIGHT - By - ALL RIGHTS RESERVED.

LOC	DIST	REVISIONS			
P	LTR	DESCRIPTION	DATE	DWN	APVD
AJ	17	G1	REVISED PER ECO-11-005030	11MAR11	RK HMR

- USE INSTRUCTION SHEET 408-2187.
- ACCOMMODATES 0.79 [.031] TO 4.78 [.188] PANEL THICKNESS.



RECOMMENDED PANED CUTOUT  
SCALE 4:1

.461 oz	1-330249-1	1-329492-1	51531-2	51494-2
.423 oz	9-330249-0	9-329492-0	9-51531-0	51494-1
WEIGHT	③ JAM NUT QTY: 1	② LOCK WASHER QTY: 1	① JACK ASSEMBLY QTY: 1	PART NUMBER

THIS DRAWING IS A CONTROLLED DOCUMENT.		DWN D. WALLACE	OBJAN08	<b>STE</b> TE Connectivity	
DIMENSIONS: mm [INCHES]		CHK J. LIPPERT	OBJAN08		
TOLERANCES UNLESS OTHERWISE SPECIFIED:		APVD J. LIPPERT	OBJAN08	NAME SHV BULKHEAD SOLDER JACK	
0 PLC ± -		PRODUCT SPEC		SIZE	
1 PLC ± -		APPLICATION SPEC		CAGE CODE	
2 PLC ± 0.41[.016]		WEIGHT		DRAWING NO	
3 PLC ± -		MATERIAL		RESTRICTED TO	
4 PLC ± -		FINISH		SCALE	
ANGLES ± -		CUSTOMER DRAWING		SHEET	
FINISH		A2 00779		REV	
MATERIAL		G1		REV	

51494

## X-ON Electronics

Largest Supplier of Electrical and Electronic Components

*Click to view similar products for [RF Connectors](#) / [Coaxial Connectors](#) category:*

*Click to view products by [TE Connectivity](#) manufacturer:*

Other Similar products are found below :

[R125315120](#) [8915-1511-000](#) [89674-0827](#) [5916-1103-603](#) [0106-001-000](#) [6-0001-3](#) [6001-7071-019](#) [6002-7051-003](#) [6002-7551-202](#) [6059674-1](#) [619550-1](#) [630059-000](#) [M39012/25-0021](#) [M39012/79-3008](#) [M39030/3-01N](#) [M39030/3-03N](#) [M3933/25-36N](#) [6500-7071-046](#) [6501-1071-002](#) [M83723/72W2457N](#) [6769](#) [CX050L2AQ](#) [7002-1541-010](#) [7002-1572-002](#) [7003-1572-002](#) [7004-1512-000](#) [7009-1511-004](#) [7010-1511-000](#) [7029-1511-060](#) [7101-1541-010](#) [7101-1571-002](#) [7105-1521-002](#) [7145-1521-002](#) [7209-1511-011](#) [7210-1511-012](#) [7210-1511-015](#) [7210-1511-019](#) [7210-1511-040](#) [7225-1512-050](#) [7242-1511-000](#) [73137-5015](#) [73251-0111](#) [73251-0672](#) [73276-1501](#) [73366-0013](#) [73404-2300](#) [73413-6080](#) [73415-5721](#) [7405-1521-005](#) [7405-1521-802](#)