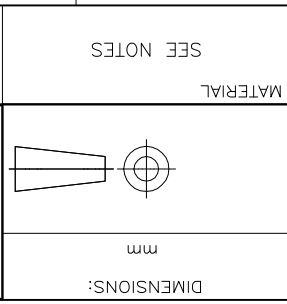


2. APPLICABLE WIRE; PLEASE CONFIRM TO TE CONNECTIVITY ENGINEERING.

1. MATERIAL & FINISH
 *CONTACT: COPPER ALLOY Au PL. 0.3 AND 0.76 MIN. AT CONTACT AREA AND TIN PL. AT I.D. AREA OVER NI PL.
 *FRONT SHELL: STEEL, NI PL.
 *HOUSING (BASE, FACE, COVER): THERMO-PLASTIC, GUL 94V-0, BLACK

WIRE RANGE	7/0.127mm(AWG#28)
INSULATION DIA	0.5~0.7 mmφ
TOLERANCES UNLESS OTHERWISE SPECIFIED	
ANGLES ±0.2	
10 ≧ ±0.2	
30 ≧ ±0.25	
100 ≧ ±0.3	
100 ≧ ±0.3	
ANGLES ±3°	



FINISH	±
0 PLC	±
1 PLC	±
2 PLC	±
3 PLC	±
4 PLC	±
ANGLES	±

THIS DRAWING IS A CONTROLLED DOCUMENT.
 TOLERANCES UNLESS OTHERWISE SPECIFIED:
 CHK 19APR05
 DWN 19APR05

APVD	19APR05	L. ENOMOTO
CHK	19APR05	STEVEN YAO
DWN	19APR05	COREL.WANG

SEE NOTES	
SEE NOTES	

WEIGHT	0.000000
APPLICATION SPEC	
PRODUCT SPEC	

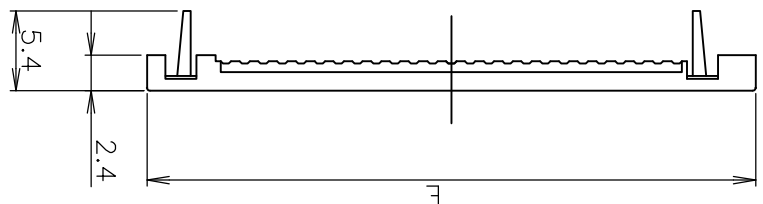
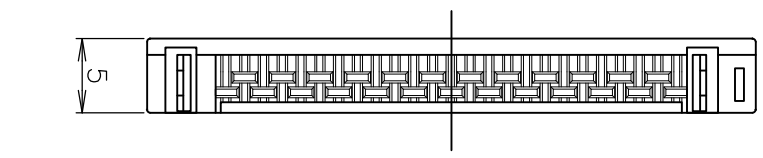
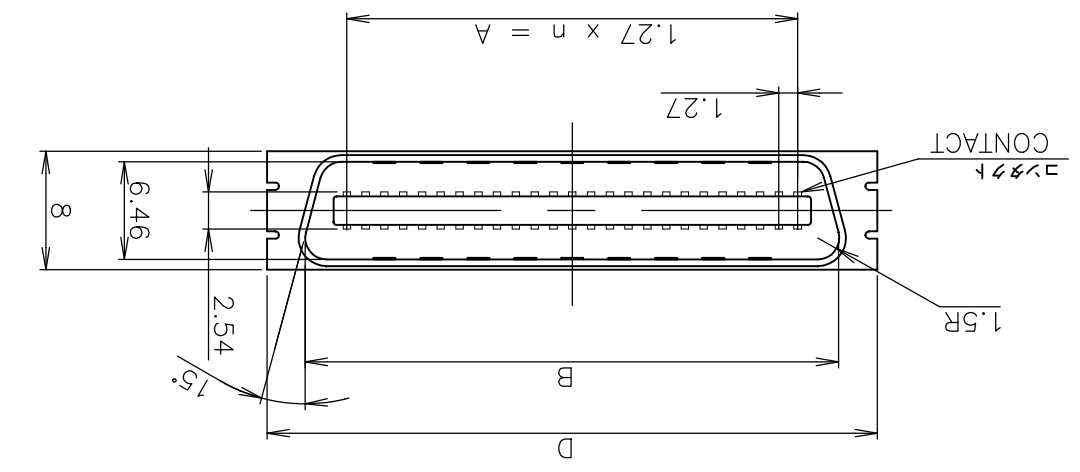
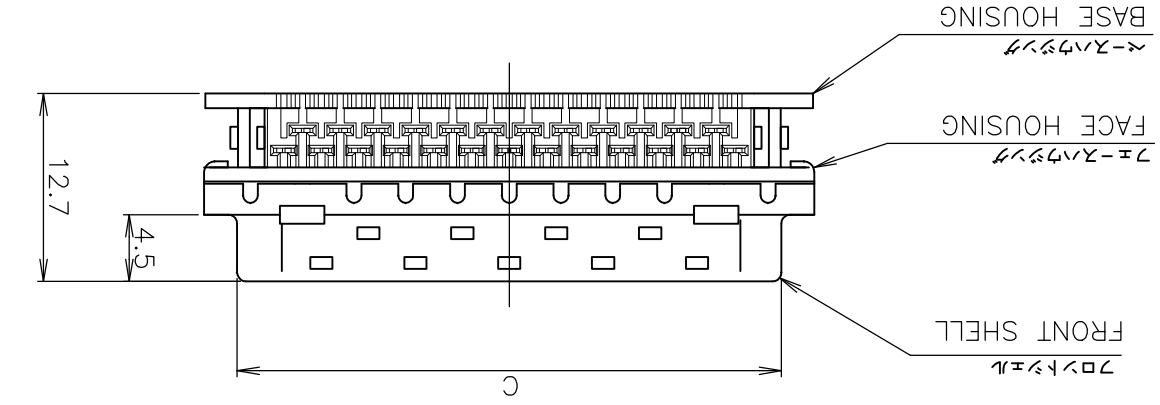
NAME	CHAMP .050 PLUG CONN. KIT
CAGE CODE	00779
DRAWING NO	5175677
SCALE	2:1
SHEET	1 OF 1
REV	B

APVD	19APR05	CHAMP .050 PLUG CONN. KIT
CHK	19APR05	STEVEN YAO
DWN	19APR05	COREL.WANG

APVD	19APR05	CHAMP .050 PLUG CONN. KIT
CHK	19APR05	STEVEN YAO
DWN	19APR05	COREL.WANG

APVD	19APR05	CHAMP .050 PLUG CONN. KIT
CHK	19APR05	STEVEN YAO
DWN	19APR05	COREL.WANG

APVD	19APR05	CHAMP .050 PLUG CONN. KIT
CHK	19APR05	STEVEN YAO
DWN	19APR05	COREL.WANG



COVER HOUSING (2EA/KIT)

REVISIONS	DESCRIPTION	DATE	DWN	APVD
B	REVISED PER ECO-17-008763	19DEC2017	RG	SH

REVISIONS	DESCRIPTION	DATE	DWN	APVD
B	REVISED PER ECO-17-008763	19DEC2017	RG	SH

X-ON Electronics

Largest Supplier of Electrical and Electronic Components

Click to view similar products for [I/O Connectors](#) category:

Click to view products by [TE Connectivity](#) manufacturer:

Other Similar products are found below :

[571763P](#) [58098-0628](#) [61-168618-12P](#) [D38999/20FJ24PA L/C](#) [D38999/20FJ29SB L/C](#) [D38999/24FG11SN L/C](#) [72.250.1628.2](#) [72.250.2428.2](#)
[74720-0505](#) [76.350.0729.0](#) [76871-1403](#) [FCN-244F080-G/1](#) [FCN-260A9920](#) [FCN-268D024-G/2F#10X-R10](#) [PCS-E50FA](#) [PCS-XE26LKA](#)
[PCS-XE26MA+](#) [PCS-XES68MS+](#) [G38A71314B](#) [91-569719-35R](#) [9776-18-6](#) [DX40-50P\(55\)](#) [1571250010](#) [157-22500-3](#) [MS3476W12-10S](#)
[L/C](#) [1888020-8](#) [91-569786-35H](#) [91-569786-35M](#) [91-644626-35P](#) [172501-4002](#) [172501-6002](#) [FCN-260C008-A/L0](#) [FCN-260C024-AL0](#)
[FCN-261Z008](#) [FCN-268D008-G/1K](#) [2000314-1](#) [200331-1](#) [2007498-2](#) [PCR-E28LMDAG1+](#) [PCR-E36FC+](#) [PCS-E28FS+](#) [PCS-XE26SLFD+](#)
[PCS-XE26SLFDT+](#) [G38A71214B](#) [HDRA-E68W1LFDTC-SL+](#) [HDR-E14MSG1+](#) [R88A-CNK81S](#) [CRT1-ATT02](#) [54182-0605](#)
[U90B2054081210](#)