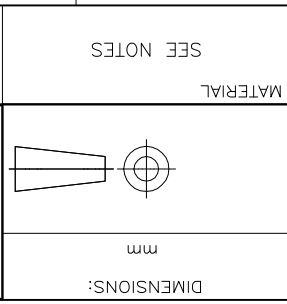


2. APPLICABLE WIRE; PLEASE CONFIRM TO TE CONNECTIVITY ENGINEERING.

1. MATERIAL & FINISH
 *CONTACT: COPPER ALLOY Au PL. 0.3 AND 0.76 MIN. AT CONTACT AREA AND TIN PL. AT I.D. AREA OVER NI PL.
 *FRONT SHELL; STEEL, NI PL.
 *HOUSING(BASE,FACE,COVER):
 THERMO-PLASTIC, GUL 94V-0, BLACK

WIRE RANGE	7/0.127mm(AWG#28)
INSULATION DIA	0.5~0.7 mmφ
TOLERANCES UNLESS OTHERWISE SPECIFIED	
10±: ±0.2	
30±: ±0.25	
100±: ±0.3	
ANGLES ±3°	



SEE NOTES
 DIMENSIONS: mm
 TOLERANCES UNLESS OTHERWISE SPECIFIED:
 CHK 19APR05
 DWN 19APR05

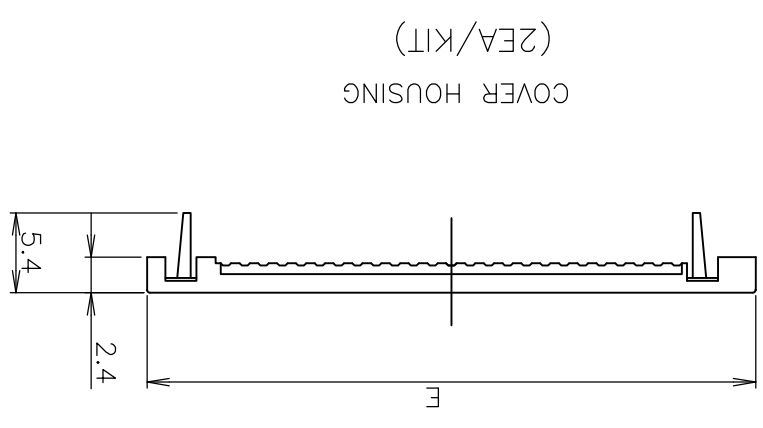
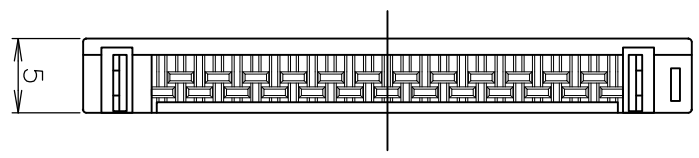
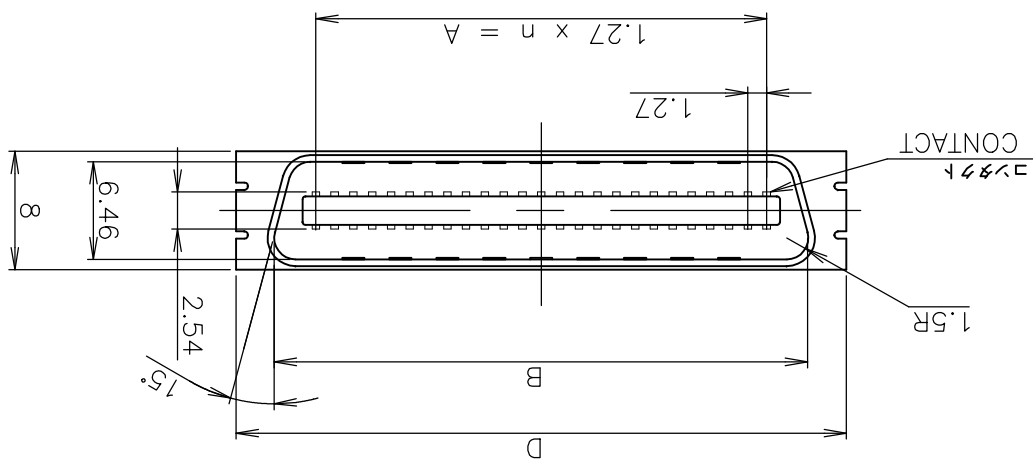
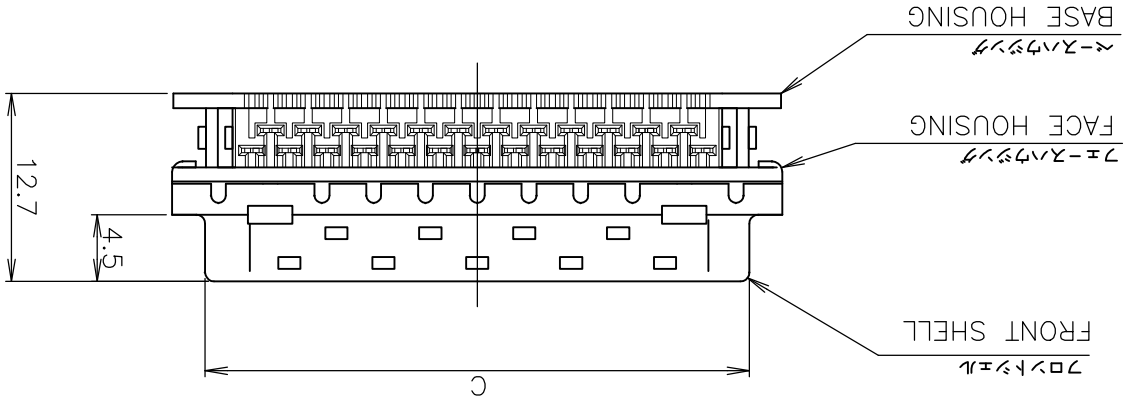
THIS DRAWING IS A CONTROLLED DOCUMENT.

APVD	19APR05	L. ENOMOTO
CHK	19APR05	STEVEN YAO
DWN	19APR05	COREL. WANG

SEE NOTES
 WEIGHT 0.000000
 APPLICATION SPEC
 PRODUCT SPEC
 NAME

SCALE	2:1
SHEET	1 OF 1
REV	B
CAGE CODE	00779
DRAWING NO	5175677
RESTRICTED TO	

A	B	C	D	E	Au. PLATING	n	POS	PART No.
7.62	12.84	13.7	18.4	18.3	0.3u	6	14	5175677-1
11.43	16.65	17.6	22.2	22.1	0.3u	9	20	5175677-2
15.24	20.46	21.4	26.0	25.9	0.3u	12	26	5175677-4
21.59	26.81	27.7	32.4	32.3	0.3u	17	36	5175677-5
30.48	35.70	36.6	41.3	41.2	0.3u	24	50	5175677-7
41.91	47.13	48.0	52.7	52.6	0.3u	33	68	5175677-8
62.23	67.45	68.4	73.0	72.9	0.3u	49	100	5175677-9
49.53	54.69	55.7	60.3	60.2	0.76u	39	80	3=5175677-0
7.62	12.84	13.7	18.4	18.3	0.76u	6	14	2-5175677-1
11.43	16.65	17.6	22.2	22.1	0.76u	9	20	2-5175677-2
15.24	20.46	21.4	26.0	25.9	0.76u	12	26	2-5175677-4
21.59	26.81	27.7	32.4	32.3	0.76u	17	36	2-5175677-5
30.48	35.70	36.6	41.3	41.2	0.76u	24	50	2-5175677-7
41.91	47.13	48.0	52.7	52.6	0.76u	33	68	2-5175677-8
62.23	67.45	68.4	73.0	72.9	0.76u	49	100	2-5175677-9
49.53	54.69	55.7	60.3	60.2	0.76u	39	80	3=5175677-0



COVER HOUSING (2EA/KIT)

REVISIONS	DATE	DWN	APVD
B	19DEC2017	RG	SH
REVISD PER ECO-17-008763			
P	LTR	DESCRIPTION	

X-ON Electronics

Largest Supplier of Electrical and Electronic Components

Click to view similar products for [I/O Connectors](#) category:

Click to view products by [TE Connectivity](#) manufacturer:

Other Similar products are found below :

[571763P](#) [58098-0628](#) [61-168618-12P](#) [D38999/20FJ24PA L/C](#) [D38999/20FJ29SB L/C](#) [D38999/24FG11SN L/C](#) [72.250.1628.2](#) [72.250.2428.2](#)
[74720-0505](#) [76.350.0729.0](#) [76871-1403](#) [FCN-244F080-G/1](#) [FCN-260A9920](#) [FCN-268D024-G/2F#10X-R10](#) [PCS-E50FA](#) [PCS-XE26LKA](#)
[PCS-XE26MA+](#) [PCS-XES68MS+](#) [G38A71314B](#) [91-569719-35R](#) [9776-18-6](#) [DX40-50P\(55\)](#) [1571250010](#) [157-22500-3](#) [MS3476W12-10S](#)
[L/C](#) [1888020-8](#) [91-569786-35H](#) [91-569786-35M](#) [91-644626-35P](#) [172501-4002](#) [172501-6002](#) [FCN-260C008-A/L0](#) [FCN-260C024-AL0](#)
[FCN-261Z008](#) [FCN-268D008-G/1K](#) [2000314-1](#) [200331-1](#) [2007498-2](#) [PCR-E28LMDAG1+](#) [PCR-E36FC+](#) [PCS-E28FS+](#) [PCS-XE26SLFD+](#)
[PCS-XE26SLFDT+](#) [G38A71214B](#) [HDRA-E68W1LFDTC-SL+](#) [HDR-E14MSG1+](#) [R88A-CNK81S](#) [CRT1-ATT02](#) [54182-0605](#)
[U90B2054081210](#)