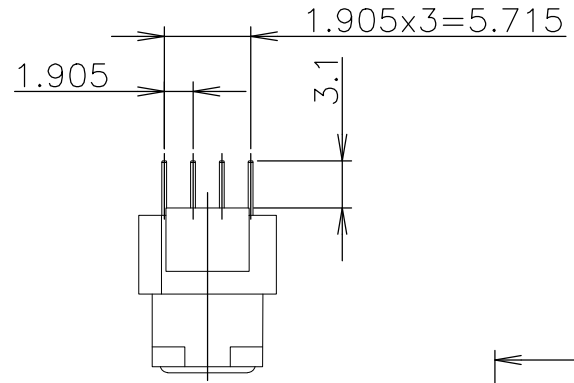
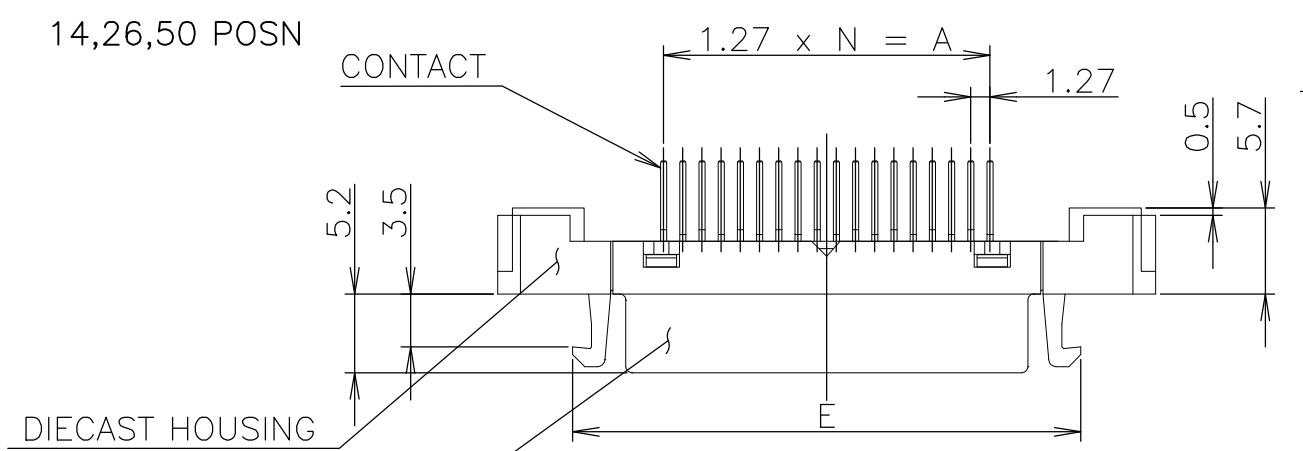
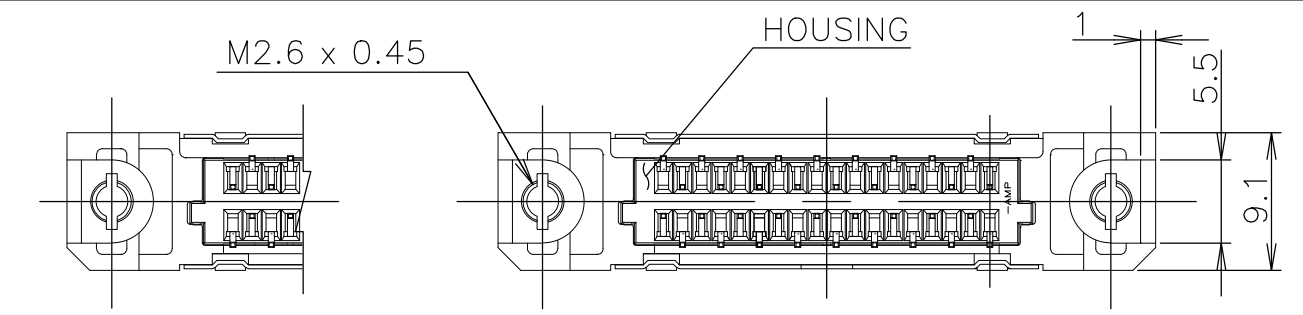


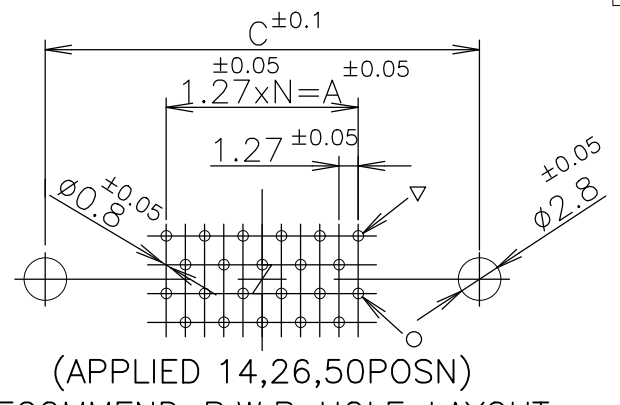
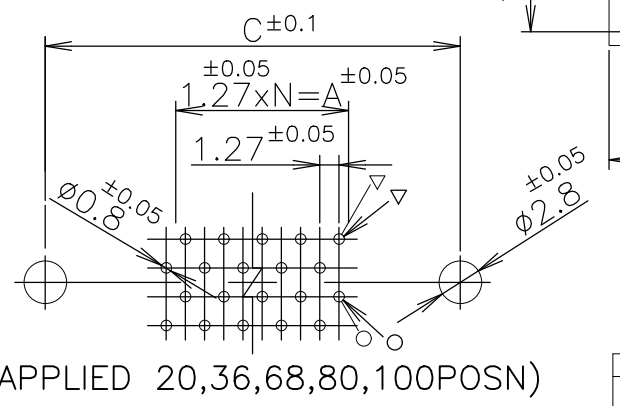
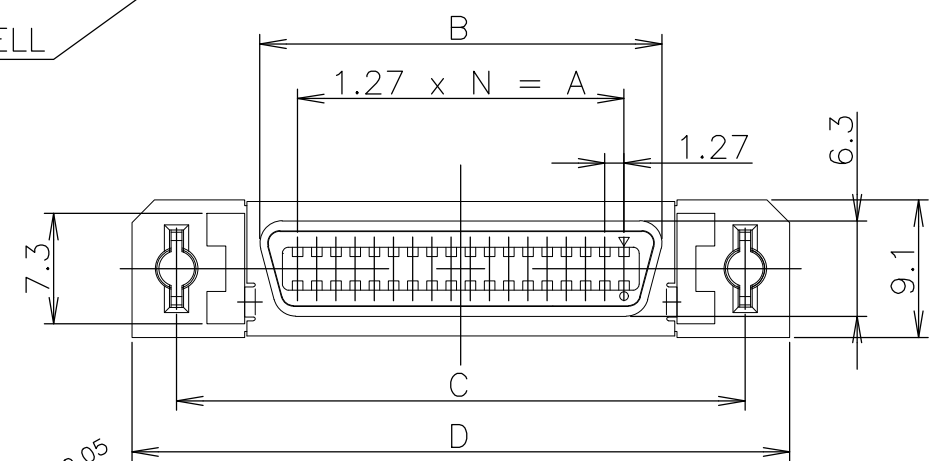
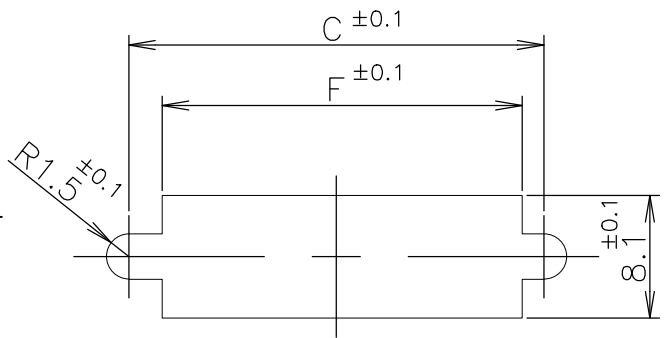
THIS DRAWING IS UNPUBLISHED. RELEASED FOR PUBLICATION .SEP 2004  
 © COPYRIGHT 2004 By - ALL RIGHTS RESERVED.

REVISIONS					
P	LTR	DESCRIPTION	DATE	DWN	APVD
	R	REVISED PER ECO-17-008763	23JAN2018	RG	SH

- 1 USED SCREW SIZE; M2.6 PANHEAD SCREW.
- 2 CONNECTOR TO BE MATED; 175677,517571
- △ MATERIAL AND FINISH;
  - \* CONTACT; PHOS-BRONZE  
FINISH: Au PLATING OVER Ni UNDER PLATING ON CONTACT AREA.  
TIN PLATING OVER Ni UNDER PLATING ON SOLDER TINE AREA.
  - \* METAL SHELL: STEEL  
FINISH: Ni PLATING OVER COPPER UNDER PLATING.
  - \* DIECAST HOUSING; ZINC  
FINISH: Ni PLATING OVER COPPER UNDER PLATING.
  - \* HOUSING; THERMOPLASTIC, UL94V-0, BLACK
- 4 RECOMMEND P.W.B THICKNESS; 1.6mm



PANEL CUTOUT (THK; 2mm MAX.) FIG-2



RECOMMEND P.W.B HOLE LAYOUT (CONNECTOR MOUNTING SIDE) FIG-1

LEAD FREE

POSN	39	49	33	24	17	12	9	6	39	49	33	24	17	12	9	6	POSN	PART NO.	
0.00076	-39	61.90	61.55	71.45	65.55	54.53	49.53	80	3-5175887-0	49	74.60	74.25	84.15	78.25	67.23	62.23	100	2-5175887-9	
	33	54.20	53.93	63.83	57.93	46.91	41.91	68	2-5175887-8	24	42.80	42.50	52.40	46.50	35.48	30.48	50	2-5175887-7	
	24	42.80	42.50	52.40	46.50	35.48	30.48	50	2-5175887-7	17	33.90	33.61	43.51	37.61	26.59	21.59	36	2-5175887-5	
	17	33.90	33.61	43.51	37.61	26.59	21.59	36	2-5175887-5	12	27.60	27.26	37.16	31.26	20.24	15.24	26	2-5175887-4	
	12	27.60	27.26	37.16	31.26	20.24	15.24	26	2-5175887-4	9	23.80	23.45	33.35	27.45	16.43	11.43	20	2-5175887-2	
	9	23.80	23.45	33.35	27.45	16.43	11.43	20	2-5175887-2	6	19.90	19.64	29.54	23.64	12.62	7.62	14	2-5175887-1	
	6	19.90	19.64	29.54	23.64	12.62	7.62	14	2-5175887-1	0.0003	39	61.90	61.55	71.45	65.55	54.53	49.53	80	1-5175887-0
	39	61.90	61.55	71.45	65.55	54.53	49.53	80	1-5175887-0	49	74.60	74.25	84.15	78.25	67.23	62.23	100	5175887-9	
	49	74.60	74.25	84.15	78.25	67.23	62.23	100	5175887-9	33	54.20	53.93	63.83	57.93	46.91	41.91	68	5175887-8	
	33	54.20	53.93	63.83	57.93	46.91	41.91	68	5175887-8	24	42.80	42.50	52.40	46.50	35.48	30.48	50	5175887-7	
	24	42.80	42.50	52.40	46.50	35.48	30.48	50	5175887-7	17	33.90	33.61	43.51	37.61	26.59	21.59	36	5175887-5	
	17	33.90	33.61	43.51	37.61	26.59	21.59	36	5175887-5	12	27.60	27.26	37.16	31.26	20.24	15.24	26	5175887-4	
	12	27.60	27.26	37.16	31.26	20.24	15.24	26	5175887-4	9	23.80	23.45	33.35	27.45	16.43	11.43	20	5175887-2	
	9	23.80	23.45	33.35	27.45	16.43	11.43	20	5175887-2	6	19.90	19.64	29.54	23.64	12.62	7.62	14	5175887-1	
	6	19.90	19.64	29.54	23.64	12.62	7.62	14	5175887-1	AU PLATING	N	F	E	D	C	B	A	POSN	PART NO.

THIS DRAWING IS A CONTROLLED DOCUMENT.

DIMENSIONS: mm

TOLERANCES UNLESS OTHERWISE SPECIFIED:  
 0 PLC ± 0.2  
 1 PLC ± 0.2  
 2 PLC ± 0.2  
 3 PLC ± 0.2  
 4 PLC ± 0.2  
 ANGLES ± 3°

MATERIAL: SEE NOTE 3

FINISH: SEE NOTE 3

DWN: COREL WANG 01SEP04  
 CHK: STEVEN YAO 01SEP04  
 APVD: I.ENOMOTO 01SEP04

NAME: REC HEADER ASSY, VERTICAL  
 CHAMP .050 SERIES (II) STD-TYPE (M2.6)

PRODUCT SPEC: 108-60043

APPLICATION SPEC:

WEIGHT: 0.000000

SIZE: A3 CAGE CODE: 00779 DRAWING NO: C-5175887 RESTRICTED TO:

CUSTOMER DRAWING SCALE: 2:1 SHEET: 1 OF 1 REV: R

## X-ON Electronics

Largest Supplier of Electrical and Electronic Components

*Click to view similar products for [I/O Connectors](#) category:*

*Click to view products by [TE Connectivity](#) manufacturer:*

Other Similar products are found below :

[571763P](#) [58098-0628](#) [61-168618-12P](#) [D38999/20FJ24PA L/C](#) [D38999/20FJ29SB L/C](#) [D38999/24FG11SN L/C](#) [72.250.1628.2](#) [72.250.2428.2](#)  
[74720-0505](#) [76.350.0729.0](#) [76871-1403](#) [FCN-244F080-G/1](#) [FCN-260A9920](#) [FCN-268D024-G/2F#10X-R10](#) [PCS-E50FA](#) [PCS-XE26LKA](#)  
[PCS-XE26MA+](#) [PCS-XES68MS+](#) [G38A71314B](#) [91-569719-35R](#) [9776-18-6](#) [DX40-50P\(55\)](#) [1571250010](#) [157-22500-3](#) [MS3476W12-10S](#)  
[L/C](#) [1888020-8](#) [91-569786-35H](#) [91-569786-35M](#) [91-644626-35P](#) [172501-4002](#) [172501-6002](#) [FCN-260C008-A/L0](#) [FCN-260C024-AL0](#)  
[FCN-261Z008](#) [FCN-268D008-G/1K](#) [2000314-1](#) [200331-1](#) [2007498-2](#) [PCR-E28LMDAG1+](#) [PCR-E36FC+](#) [PCS-E28FS+](#) [PCS-XE26SLFD+](#)  
[PCS-XE26SLFDT+](#) [G38A71214B](#) [HDRA-E68W1LFDTC-SL+](#) [HDR-E14MSG1+](#) [R88A-CNK81S](#) [CRT1-ATT02](#) [54182-0605](#)  
[U90B2054081210](#)