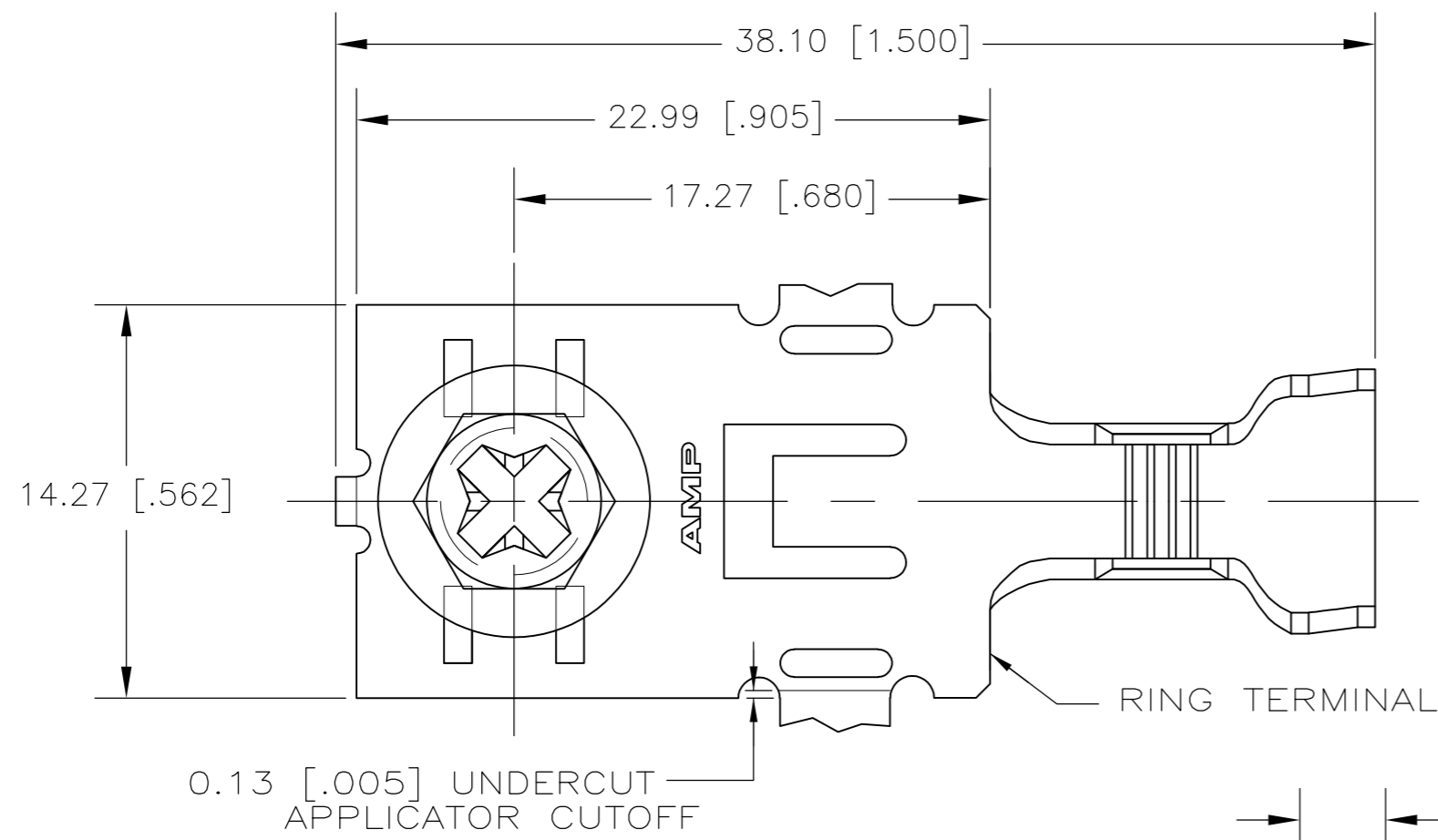
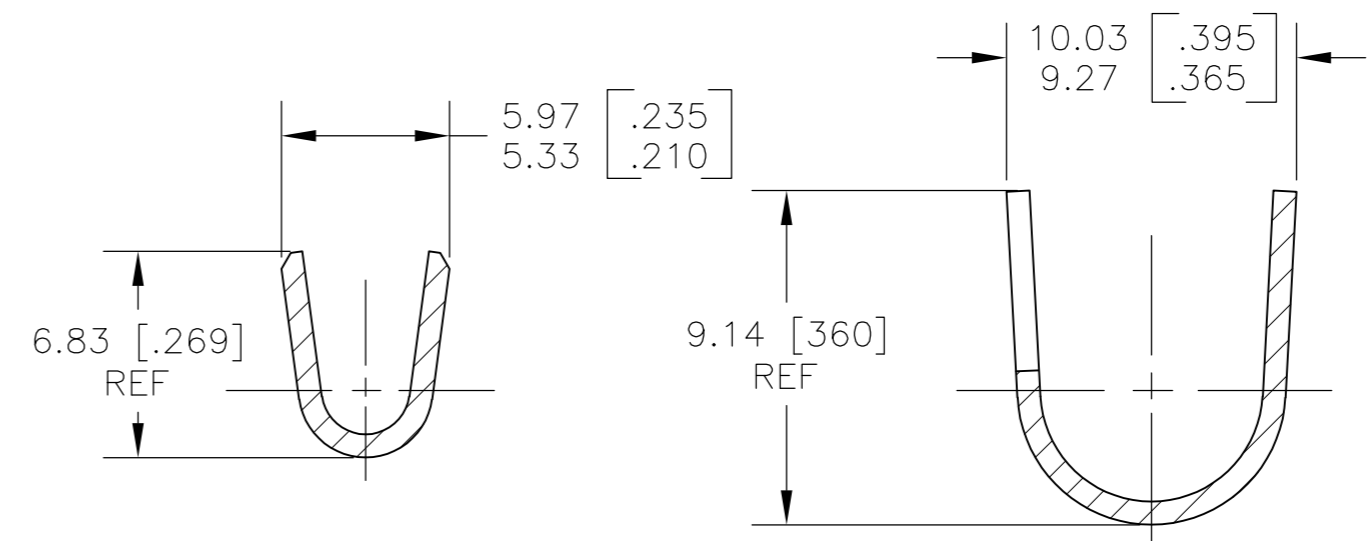
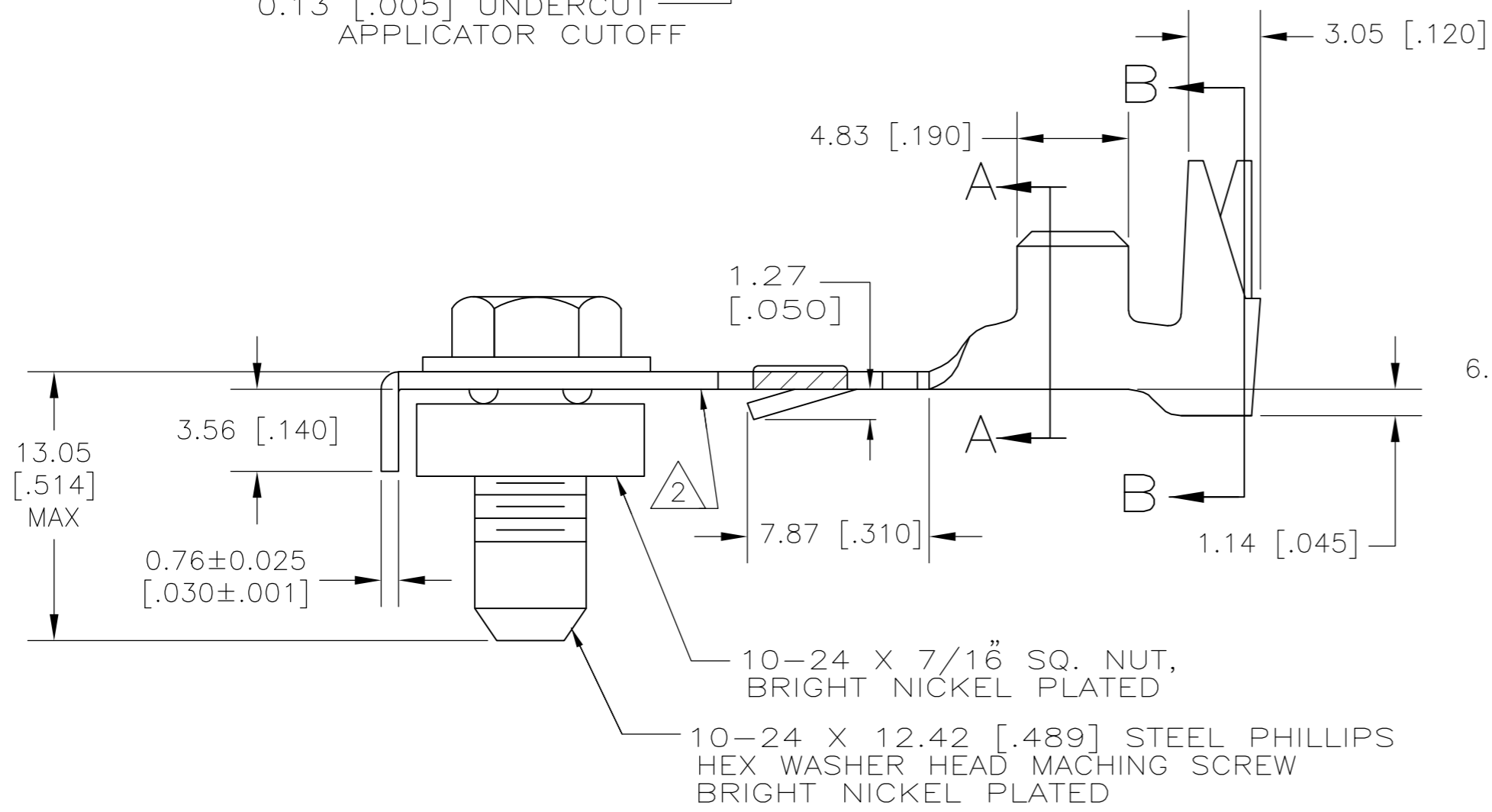


THIS DRAWING IS UNPUBLISHED. RELEASED FOR PUBLICATION
 © COPYRIGHT - By - ALL RIGHTS RESERVED.

LOC	DIST	REVISIONS			
P	LTR	DESCRIPTION	DATE	DWN	APVD
AF	50	M1	REVISED PER ECR-11-025318	19DEC11	KH GJ



- 1 CONTINUOUS STRIP ON REELS
- 2 VERTICAL BURRS NOT TO EXCEED 0.13 [.005] ALONG THIS EDGE
- 3 BACK OUT TORQUE OF SCREW TO BE A MIN OF 5 IN LBS AND A MAX OF 25 IN LBS
- 4 WIRE SIZE #16-#10 OR TWO #12'S
- 5 INSULATION RANGE IS 5.59-7.87 [.220-.310] DIA OR TWO AT 4.32 [.170] DIA.



F OR O	8.89 [.350]	6.35 [.250]	F	4.57 [.180]	3.45 [.136]	2/12 ^S
					3.22 [.127]	10
					2.87 [.113]	12
					2.64 [.104]	14
					2.51 [.099]	16
TYPE	WIDTH	STRIP LENGTH	TYPE	WIDTH	±0.05 ±[.002] HEIGHT	WIRE
INSUL BARREL CRIMP		±0.38 [.015]	WIRE BARREL CRIMP			

520936-1
PART NUMBER

THIS DRAWING IS A CONTROLLED DOCUMENT.		DWN M.S. FEHER 26OCT2007	TE TE Connectivity	
DIMENSIONS: INCHES		CHK D.F. DECKER 26OCT2007		
TOLERANCES UNLESS OTHERWISE SPECIFIED:		APVD D.F. DECKER 26OCT2007	NAME	
0 PLC ± -		PRODUCT SPEC	SUB-ASSEMBLY, POWER RING	
1 PLC ± -		APPLICATION SPEC	-	
2 PLC ± 0.38 [.015]		108-1191	SIZE	CAGE CODE
3 PLC ± -		114-2087	A2	00779
4 PLC ± -		WEIGHT	DRAWING NO	RESTRICTED TO
ANGLES ± -		-	C=520936	-
MATERIAL #2 HARD BRASS RING TERMINAL	FINISH NO FINISH RING TERMINAL	CUSTOMER DRAWING	SCALE 4:1	SHEET 1 OF 1
			REV M1	

X-ON Electronics

Largest Supplier of Electrical and Electronic Components

Click to view similar products for [Terminals](#) category:

Click to view products by [TE Connectivity](#) manufacturer:

Other Similar products are found below :

[HT-13-10](#) [71M-250-32-NB](#) [01-2065-1-0216](#) [00581P0075](#) [M10-10RX](#) [M10BCK](#) [60205-1](#) [604200-1](#) [60598-1-CUT-TAPE](#) [60617-1-C](#) [60873-1](#) [M14-516R/SK](#) [M14-6RSX](#) [M18-10FLX](#) [M18-8FBX](#) [M18-8R/LX](#) [M18BCK](#) [61314-6-C](#) [61-S](#) [61-SN-A](#) [62-NBM-A](#) [63-S](#) [640179-1](#) [640917-2-CUT-TAPE](#) [6501550002](#) [66107-2-C](#) [696683-1](#) [696834-1](#) [696861-1](#) [696931-1](#) [696999-1](#) [M8-516RK](#) [M86700006](#) [MA250DMFMX-A](#) [701-2007](#) [701-2307](#) [701-7761-03](#) [70F-110-32-PB](#) [718-N-A](#) [71M-187-20-NBL](#) [71M-250-32-NBL](#) [72F-187-20-NBL](#) [72M-250-32-NBL](#) [7310](#) [73F-250-32](#) [73F-250-32-NBL](#) [73F-250-32-NL](#) [F14-10C](#) [F-1M](#) [751-250](#)