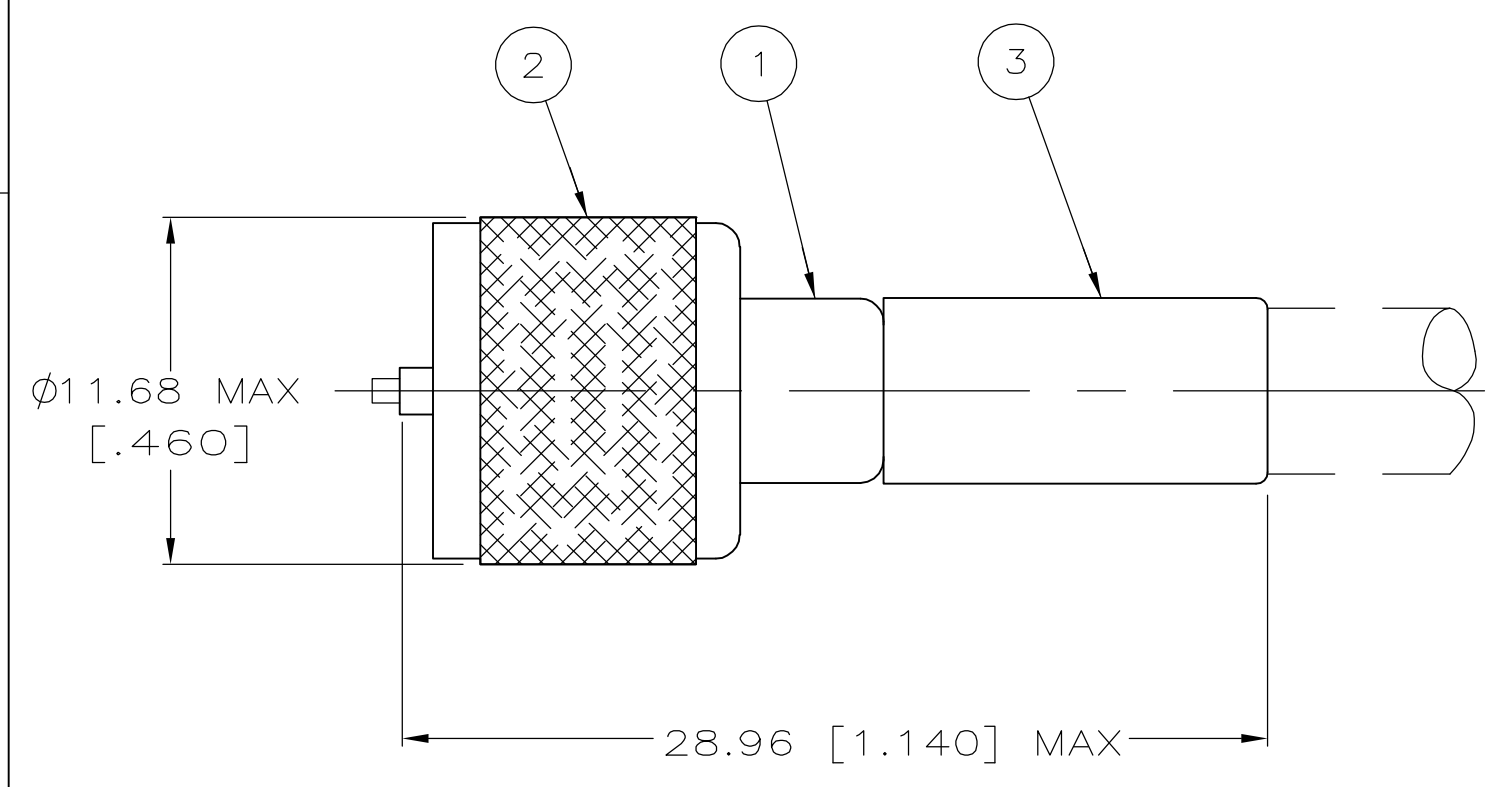
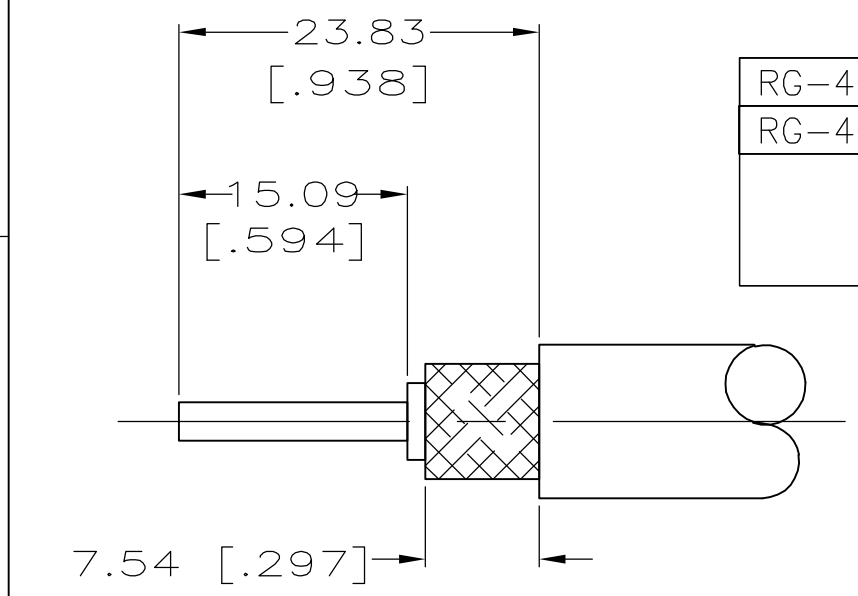


THIS DRAWING IS UNPUBLISHED. RELEASED FOR PUBLICATION  
 © COPYRIGHT - BY TYCO ELECTRONICS CORPORATION. ALL RIGHTS RESERVED.

LOC	DIST	REVISIONS					
AJ	16	P	LTR	DESCRIPTION	DATE	DWN	APVD
			01	REV PER ECO 06-001649	12APR06	GB	GM



1. USE CRIMPING TOOL: PRO-CRIMPER WITH DIE SET 58494-1 OR DIE HOLDER 764593-1 WITH DIE SET 58494-1 IN CONJUNCTION WITH PNEUMATIC TOOLS, 314281-1, 314700-1, 314590-1, 314590-2, OR 856402-1



RG-400/U, RG-142/U & RG-223/U	9-221132-4	226598-2	9-226603-1	5228664-2
RG-400/U, RG-142/U & RG-223/U	9-221132-4	226598-2	9-226603-0	5228664-1
FOR USE WITH CABLE	3 FERRULE QTY=1	2 COLLAR QTY=1	1 PLUG ASSY QTY=1	PART NO

RECOMMENDED STRIP LENGTH

THIS DRAWING IS A CONTROLLED DOCUMENT.		DWN A. FERNANDEZ-DOCK5 03FEB2005	Tyco Electronics Corporation Harrisburg, PA 17105-3608	
DIMENSIONS: INCHES	TOLERANCES UNLESS OTHERWISE SPECIFIED:	CHK J. HAVENER 03FEB2005	NAME PLUG, MINIATURE UHF	
	0 PLC ± -	APVD J. LIPPERT 03FEB2005	PRODUCT SPEC	
	1 PLC ± -	PRODUCT SPEC	-	
	2 PLC ± -	APPLICATION SPEC	-	
	3 PLC ± 0.41 [.016]	WEIGHT	-	
	4 PLC ± -	RESTRICTED CUSTOMER	-	
	ANGLES ± -	RESTRICTED TO	-	
MATERIAL	FINISH	SIZE	CAGE CODE	DRAWING NO
-	-	A3	00779	C=5228664
RESTRICTED CUSTOMER			SCALE	SHEET
			4:1	1 OF 1
			REV	01

## X-ON Electronics

Largest Supplier of Electrical and Electronic Components

*Click to view similar products for [RF Connectors / Coaxial Connectors](#) category:*

*Click to view products by [TE Connectivity](#) manufacturer:*

Other Similar products are found below :

[R125315120](#) [8915-1511-000](#) [89674-0827](#) [5916-1103-603](#) [0106-001-000](#) [6-0001-3](#) [6001-7071-019](#) [6002-7051-003](#) [6002-7551-202](#) [6059674-1](#) [619550-1](#) [630059-000](#) [M39012/25-0021](#) [M39012/79-3008](#) [M39030/3-01N](#) [M39030/3-03N](#) [M3933/25-36N](#) [6500-7071-046](#) [6501-1071-002](#) [M83723/72W2457N](#) [6769](#) [CX050L2AQ](#) [7002-1541-010](#) [7002-1572-002](#) [7003-1572-002](#) [7004-1512-000](#) [7009-1511-004](#) [7010-1511-000](#) [7029-1511-060](#) [7101-1541-010](#) [7101-1571-002](#) [7105-1521-002](#) [7145-1521-002](#) [7209-1511-011](#) [7210-1511-012](#) [7210-1511-015](#) [7210-1511-019](#) [7210-1511-040](#) [7225-1512-050](#) [7242-1511-000](#) [73137-5015](#) [73251-0111](#) [73251-0672](#) [73276-1501](#) [73366-0013](#) [73404-2300](#) [73413-6080](#) [73415-5721](#) [7405-1521-005](#) [7405-1521-802](#)