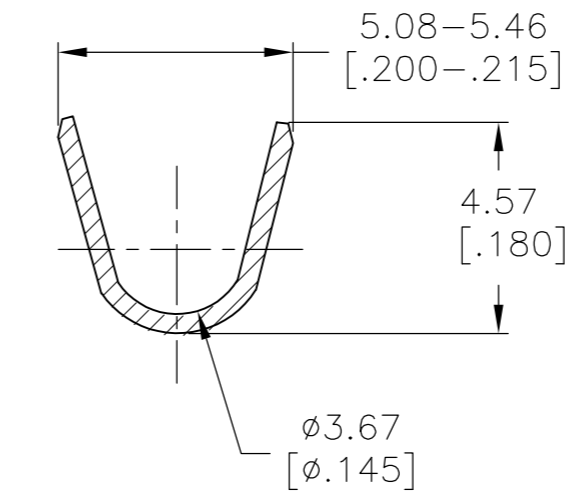
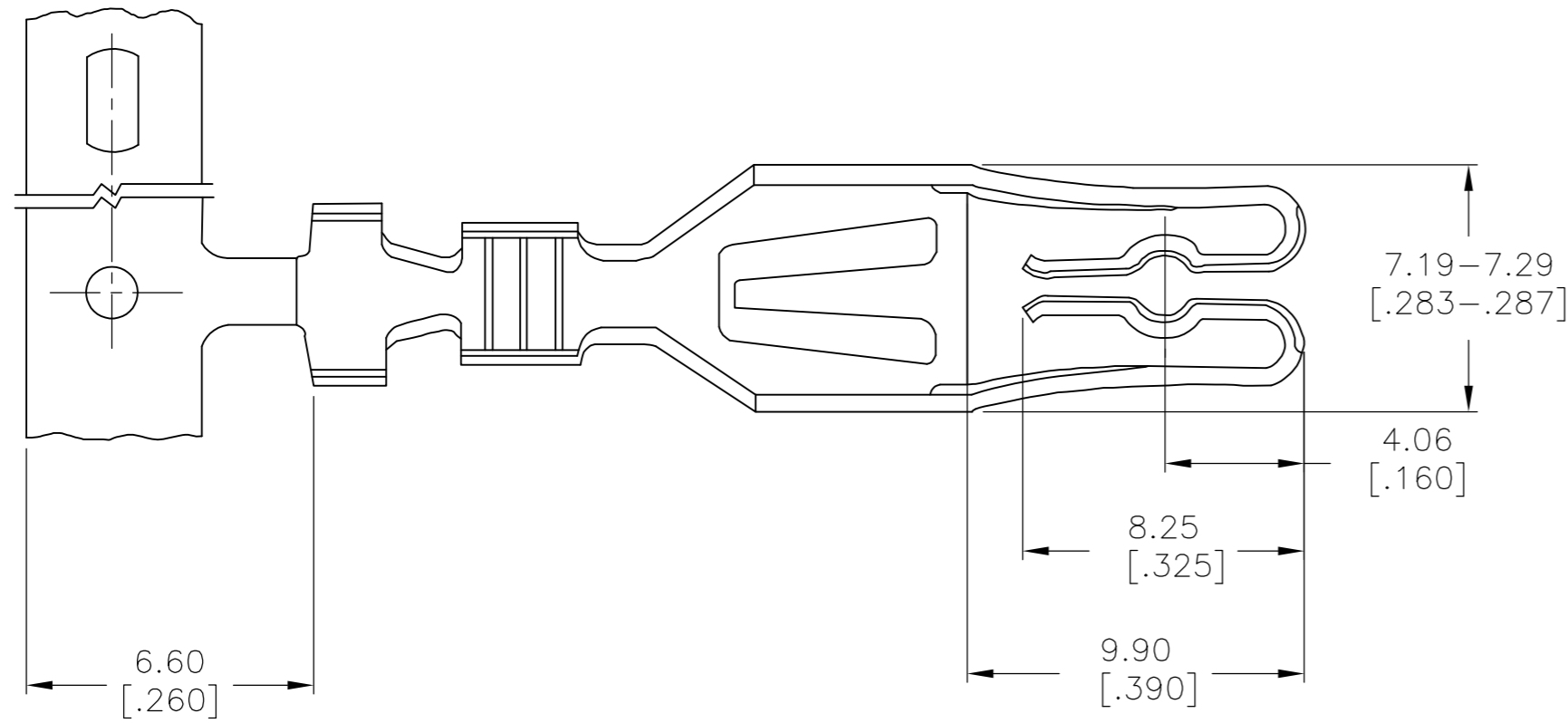
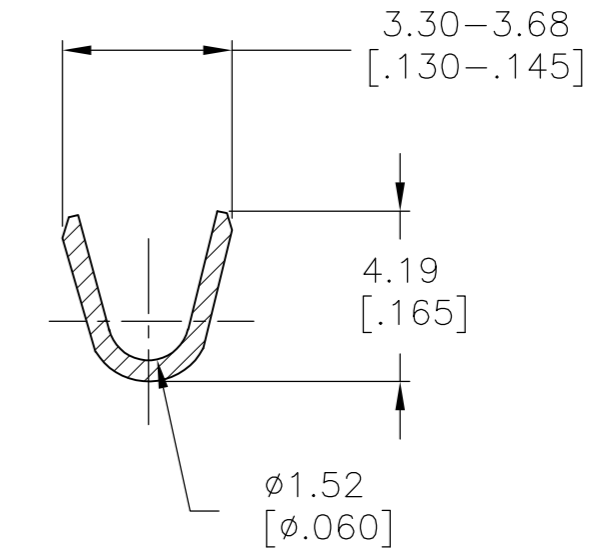


THIS DRAWING IS UNPUBLISHED. RELEASED FOR PUBLICATION
 © COPYRIGHT - By - ALL RIGHTS RESERVED.

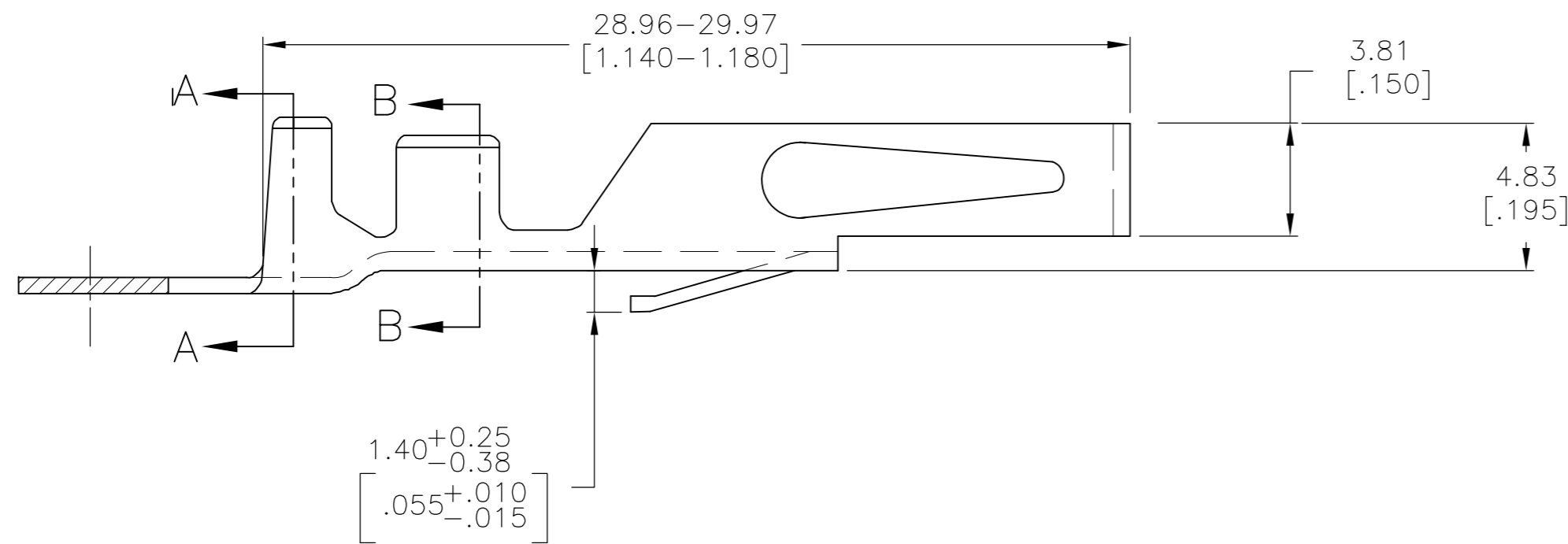
REVISIONS					
P	LTR	DESCRIPTION	DATE	DWN	APVD
K		REVISED PER ECO-16-006308	08AUG2016	NK	MM



INSULATION 2.29-3.68
 RANGE [.090-.145]
 SECTION, A-A



WIRE RANGE 14-16
 SECTION, B-B



- 1 0.0038[.000150] BRIGHT TIN OVER 0.00076[.000030] NICKEL.
- 2 SILVER PLATE 0.0038[.000150] MIN THK ALL OVER.
- 3 0.0038[.000150] MATTE TIN OVER 0.00076[.000030] NICKEL

3	5-530517-2
2	530517-3
1	530517-2
FINISH	PART NO

THIS DRAWING IS A CONTROLLED DOCUMENT.		DWN	15 MAY 75	STE TE Connectivity	
		CHK	15 MAY 75		
DIMENSIONS: mm [INCHES]		APVD	16 MAY 75	NAME	
		TOLERANCES UNLESS OTHERWISE SPECIFIED:		PRODUCT SPEC	
		0 PLC ± - 1 PLC ± - 2 PLC ± - 3 PLC ± .005 4 PLC ± - ANGLES ± -		APPLICATION SPEC	
MATERIAL ALLOY CDA-194		FINISH		WEIGHT	-
		CUSTOMER DRAWING		SCALE	5:1
		SIZE	A2	CAGE CODE	00779
		DRAWING NO	C=530517		RESTRICTED TO
		SHEET	1	OF 1	REV
					K

X-ON Electronics

Largest Supplier of Electrical and Electronic Components

Click to view similar products for [Standard Card Edge Connectors](#) category:

Click to view products by [TE Connectivity](#) manufacturer:

Other Similar products are found below :

[6565204-6](#) [PKC-156](#) [1437274-4](#) [147889-1](#) [1489165-4](#) [EBT156-12B1X](#) [EBT15622B2X](#) [EBT156-22R2W](#) [1-582587-1](#) [1-582589-1](#) [2-6437275-9](#) [284-0102-12100](#) [306022901000000](#) [307-012-502-202](#) [307-024-526-201](#) [307-056-520-300](#) [307-080-526-208](#) [245-062-520-350](#) [287-0032-12101](#) [306-010-500-112](#) [306-028-525-102](#) [306-240-318](#) [307-036-502-202](#) [307-036-521-301](#) [307-072-526-202](#) [345-060-559-303](#) [368-004-520-201](#) [392-008-559-201](#) [534671-1](#) [5-530501-5](#) [341-240-317](#) [345-029-520-300](#) [345-030-500-301](#) [345-044-500-300](#) [345-220-058](#) [346-240-318](#) [357-030-526-201](#) [387-012-523-300](#) [395-044-520-300](#) [395-100-524-300](#) [50-12B-10](#) [50-6SN-5](#) [09-07-2032](#) [10035388-106LF](#) [10035388-802LF](#) [10122859-009LF](#) [10127905-B04B24BLF](#) [530555-1](#) [EBT156-15A2X](#) [2007209-1](#)