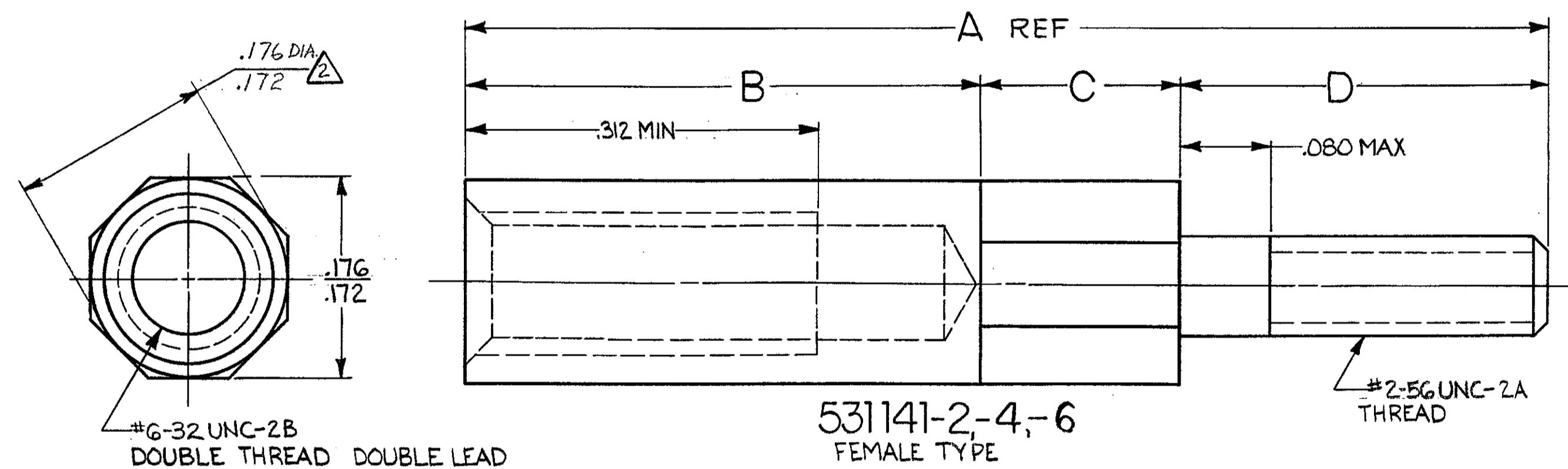
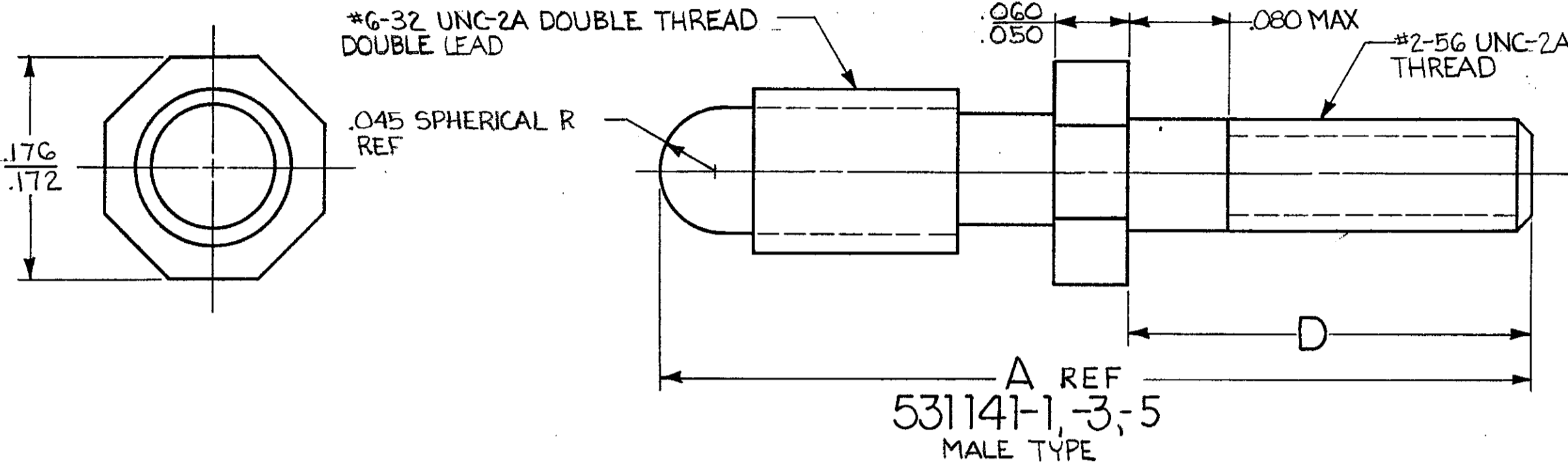


© COPYRIGHT 19 BY AMP INCORPORATED, HARRISBURG, PA. ALL INTERNATIONAL RIGHTS RESERVED. AMP INCORPORATED PRODUCTS COVERED BY U. S. AND FOREIGN PATENTS AND/OR PATENTS PENDING.

REVISIONS						
P	F	ZONE	LTR	DESCRIPTION	DATE	APPROVED
			0	WAS 5085-406		
✓	✓		A	REVISED PER ECN AB-0948	db 7-2-85	EAM
✓	✓		A1	ADDED -5, -6; ECN AB-1064	db 8-19-85	EAM
✓	✓		B	REV. PER DF-2916	BR 3-27-90	ASH
			C	REV PER 0600-G466-97	TT 10-98	BA



1. USE WITH 1000 SERIES RECEPTACLE (EXT KEY TYPE) TO MATE WITH PIN HEADER 530752 #2-56 NUT REQUIRED.
 ▲ CORNERS RADIUSED TO DIAMETER SHOWN OVER LENGTH B.

		.500	.180	.455	1.135	531141-6
OBS		.500			.875	-5
	M55302/113-13	.325	.180	.455	.960	-4
	M55302/113-14	.325			.700	-3
OBS		.395	.055	.560	1.010	-2
		.375			.750	531141-1
	MILITARY PART NO.	D	C	B	A	PART NO

UNLESS OTHERWISE SPECIFIED DIMENSIONS ARE IN INCHES. TOLERANCES ON: DECIMALS $\pm .010$ ANGLES \pm	CONTRACT NO DR <i>Debra Kelly 8-17-79</i>	AMP AMP INCORPORATED Harrisburg, Pa.		
	MATERIAL STAINLESS STEEL			CHK <i>R. Durbin 8/22/79</i>
FINISH PASSIVATED	APPD <i>R. Durbin 8/22/79</i>	NAME MOUNTING HARDWARE MALE & FEMALE		
	OTHER APPD	APPD <i>R. Durbin 8/22/79</i>	DSGN APPD	
		SIZE	CODE IDENT NO	DRAWING NO
		C	00779	531141
		SCALE	SHEET	
		10:1		

X-ON Electronics

Largest Supplier of Electrical and Electronic Components

Click to view similar products for [Rectangular MIL Spec Connectors](#) category:

Click to view products by [TE Connectivity](#) manufacturer:

Other Similar products are found below :

[006-1169-16](#) [CSR31343-0001-00000](#) [CSR31346-0001-A0001](#) [CSR31899-0001-00000](#) [CSR31900-0001-A0001](#) [CTJ-3D-05](#) [CTS-S16/16](#)
[M55302/57A36X](#) [M55302/58-A70Y](#) [65002-062](#) [65008-D08](#) [CY4602-000](#) [732-8020-01](#) [732-8021-02 B](#) [77058-22-55PN](#) [81542-20](#)
[86.030.0053.0](#) [1241346-1](#) [RM252-020-311-2900](#) [DMC-M 08-16 SNE](#) [1589051-4](#) [BACC65CAMA](#) [BACC65CAMN](#) [BACC65CP1PN](#)
[BACI10BC1220PN](#) [18023-9](#) [HSB-D4S03DM222X](#) [2217548-1](#) [891-009-15SA2-BRT1T](#) [SIM2S100A](#) [1604996-2](#) [SMD25PN90L-4055](#)
[1925036-4](#) [220A012-25225-0](#) [22628-10-6P-791](#) [CSR31343-0001-A0001](#) [CSR31899-0001-A0001](#) [CSR31900-0001-00000](#) [33526M11-08PD](#)
[RE04-212S](#) [CTD160E01F-6148](#) [CTJ112E03B](#) [CTJ122E02D-8000](#) [CTJ-3D-12](#) [CTJ920E06N-513](#) [CTJ920E12N-513](#) [CTL-16-090](#) [CTR06-](#)
[5100SY](#) [M55302/63A20H](#) [M55302/66-30H](#)