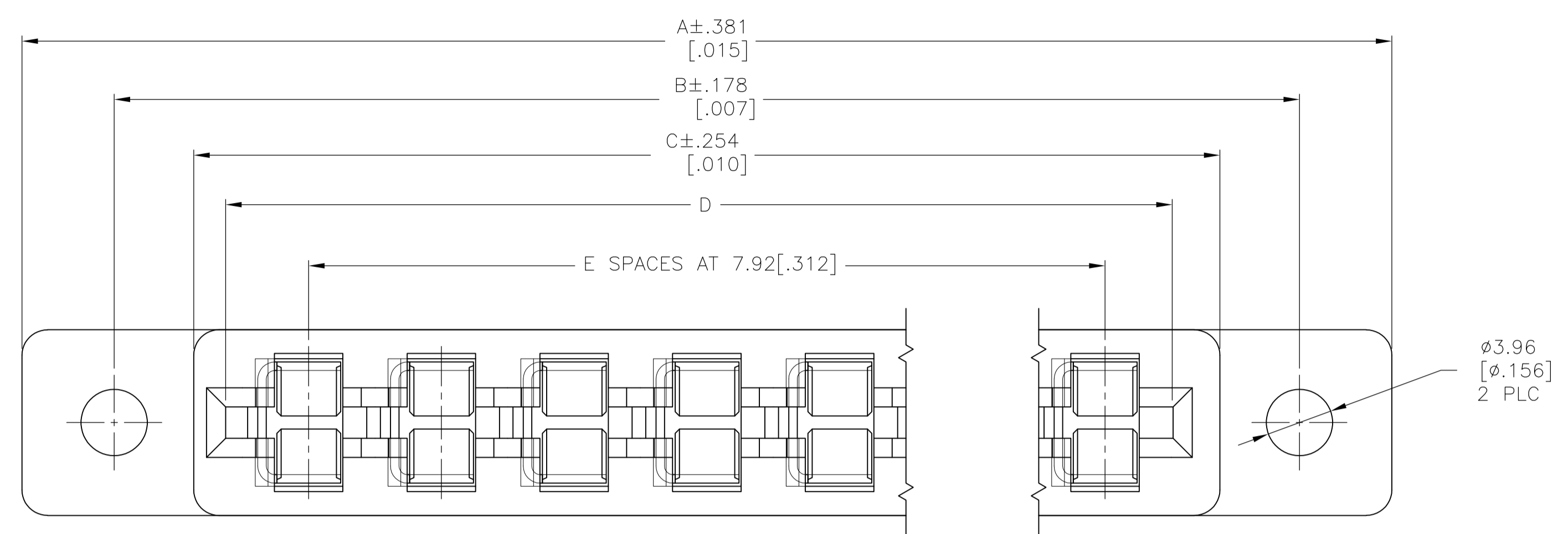
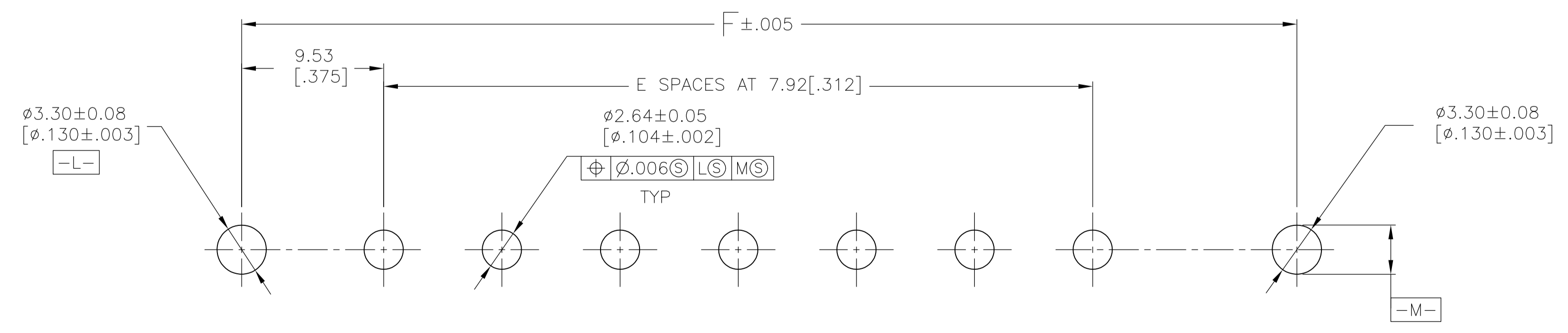
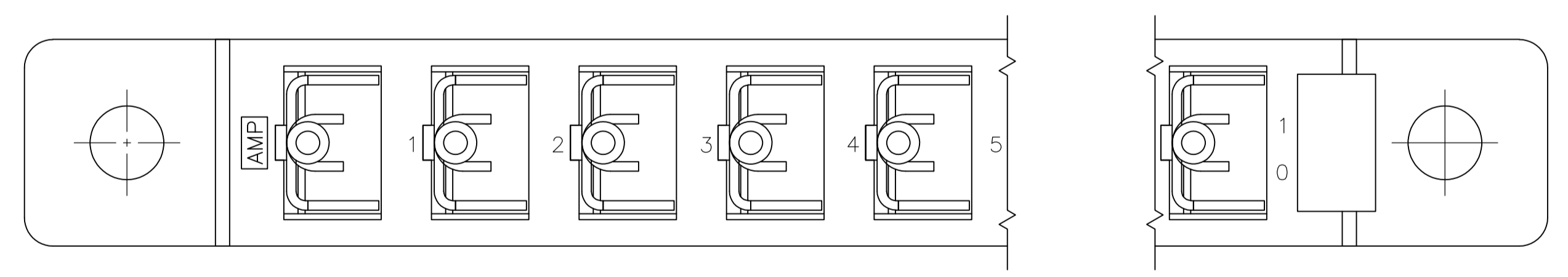
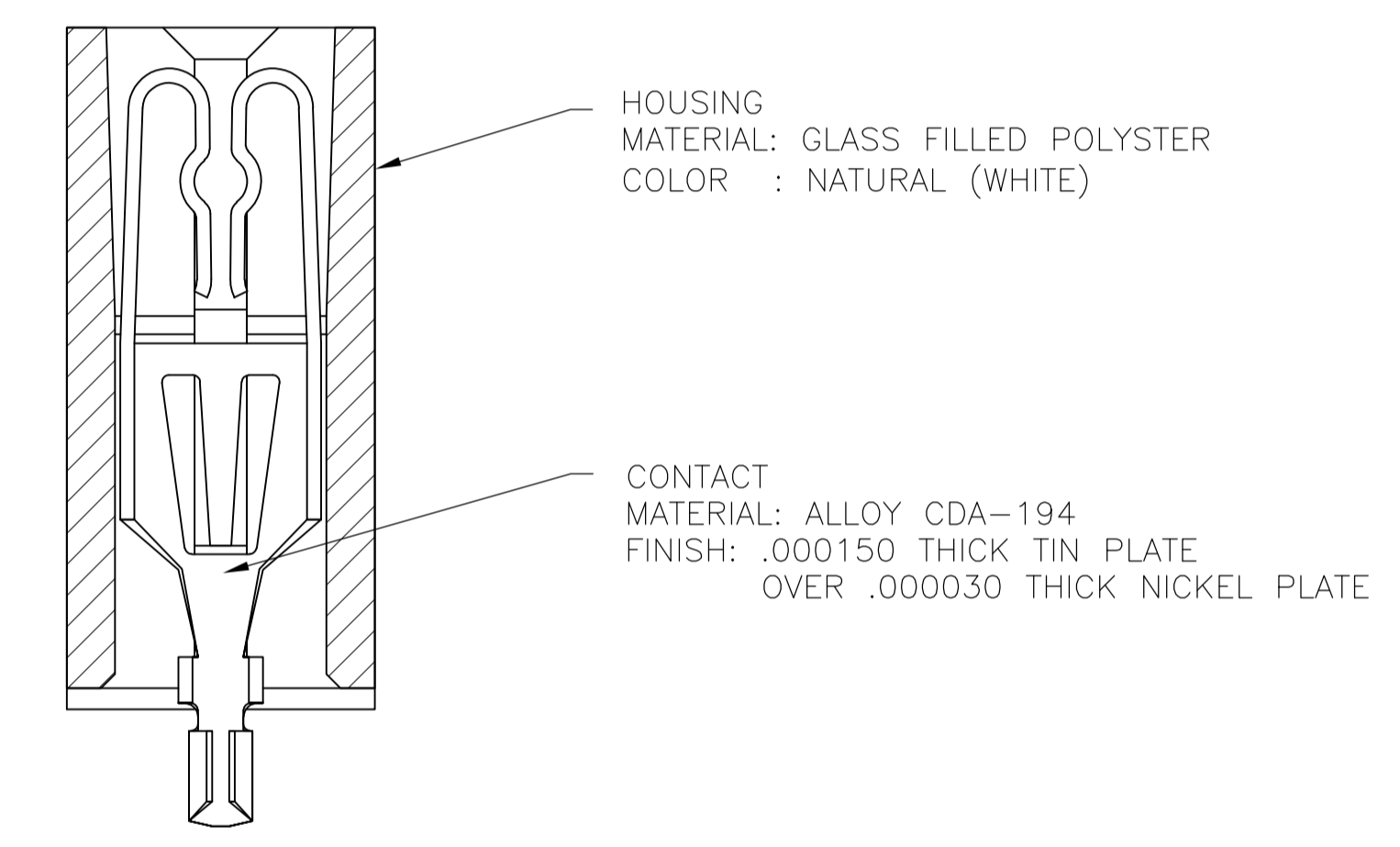
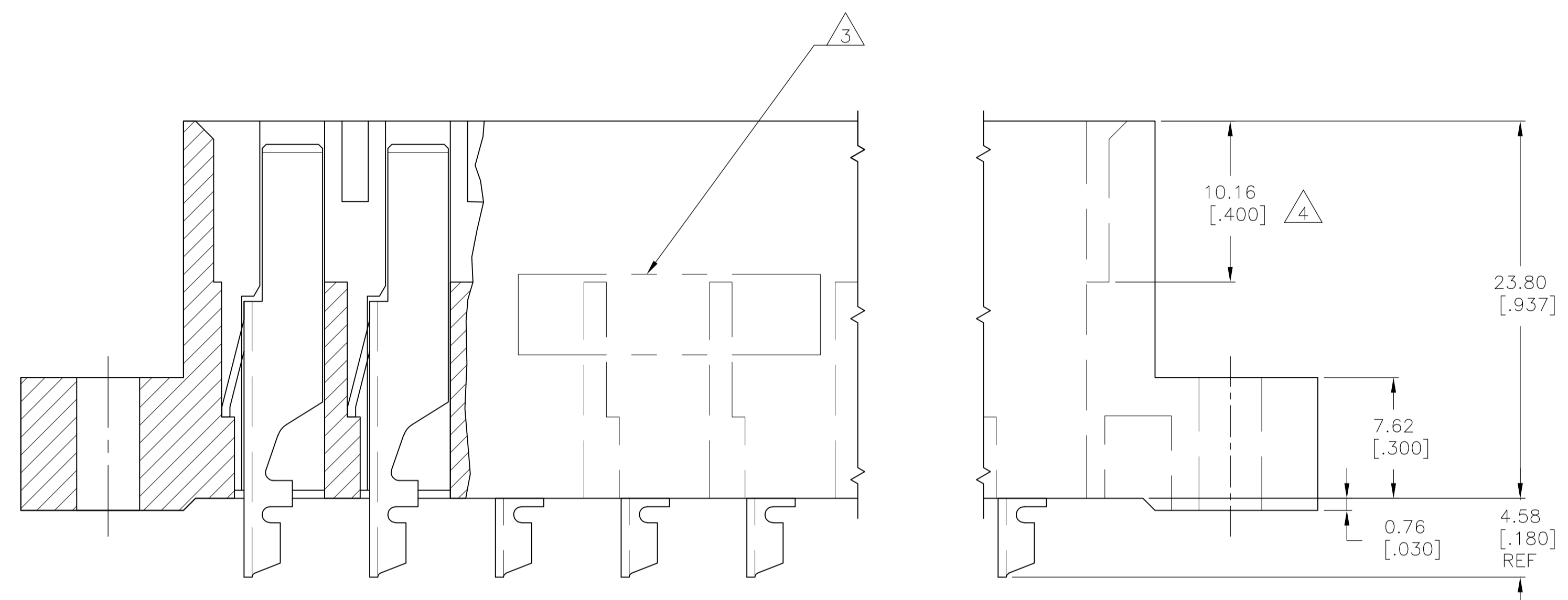


REVISIONS					
P	LTR	DESCRIPTION	DATE	DN	APVD
H5	REVISED PER	ECO-16-006308	08AUG2016	NK	MM



- 1 A 1/16" THICK DUMMY PC BOARD SHOULD BE INSERTED DURING SOLDERING.
- 2 MEASURE ACROSS MOUNTING EARS. MAY GOTO .020 OVER NOMINAL AT TOP OF THE HOUSING.
- 3 AVOID CORING OPTION.
- 4 MATTE TIN PLATED POST.
- 5 OBSOLETE PARTS: OBSOLETE CIS STREAMLINING PER D.RENAUD/D.SINISI



OBSOLETE	4.346	11	3.832	3.972	4.346	4.780	12	5-531353-9
5	3.722	9	3.208	3.348	3.722	4.156	10	5-531353-8
OBSOLETE	3.410	8	2.896	3.036	3.410	3.844	9	5-531353-7
	3.098	7	2.584	2.724	3.098	3.532	8	5-531353-6
	2.474	5	1.960	2.100	2.474	2.908	6	5-531353-5
5	2.162	4	1.648	1.788	2.162	2.593	5	5-531353-4
	1.850	3	1.336	1.476	1.850	2.284	4	5-531353-3
5	1.538	2	1.024	1.164	1.538	1.972	3	5-531353-2
	1.226	1	0.712	0.852	1.226	1.660	2	5-531353-1
	4.346	11	3.832	3.972	4.346	4.780	12	531353-9
5	3.722	9	3.208	3.348	3.722	4.156	10	531353-8
	3.410	8	2.896	3.036	3.410	3.844	9	531353-7
	3.098	7	2.584	2.724	3.098	3.532	8	531353-6
	2.474	5	1.960	2.100	2.474	2.908	6	531353-5
5	2.162	4	1.648	1.788	2.162	2.593	5	531353-4
	1.850	3	1.336	1.476	1.850	2.284	4	531353-3
5	1.538	2	1.024	1.164	1.538	1.972	3	531353-2
	1.226	1	0.712	0.852	1.226	1.660	2	531353-1
	F	E	D	C	B	A	NO. OF POSN	PART NUMBER

THIS DRAWING IS A CONTROLLED DOCUMENT.

APPROVED: C. MOSHER

DATE: 23OCT94

DESIGNED: R. BROWN

DATE: 23OCT94

DRW: C. MOSHER

DATE: 23OCT94

CHK: C. MOSHER

DATE: 23OCT94

NAME: CONNECTOR ASSEMBLY, HIGH CURRENT

PRODUCT SPEC: -

APPLICATION SPEC: -

SIZE: A1

CAGE CODE: 00779

DRAWING NO: 531353

RESTRICTED TO: -

MATERIAL: SEE CALLOUTS

FINISH: SEE CALLOUTS

WEIGHT: -

CUSTOMER DRAWING

SCALE: 4:1

SHEET: 1 OF 1

REV: H5

X-ON Electronics

Largest Supplier of Electrical and Electronic Components

Click to view similar products for [Standard Card Edge Connectors](#) category:

Click to view products by [TE Connectivity](#) manufacturer:

Other Similar products are found below :

[6565204-6](#) [PKC-156](#) [1437274-4](#) [147889-1](#) [1489165-4](#) [EBT156-12B1X](#) [EBT15622B2X](#) [EBT156-22R2W](#) [1-582587-1](#) [1-582589-1](#) [2-6437275-9](#) [284-0102-12100](#) [306022901000000](#) [307-012-502-202](#) [307-024-526-201](#) [307-056-520-300](#) [307-080-526-208](#) [245-062-520-350](#) [287-0032-12101](#) [306-010-500-112](#) [306-028-525-102](#) [306-240-318](#) [307-036-502-202](#) [307-036-521-301](#) [307-072-526-202](#) [345-060-559-303](#) [368-004-520-201](#) [392-008-559-201](#) [534671-1](#) [5-530501-5](#) [341-240-317](#) [345-029-520-300](#) [345-030-500-301](#) [345-044-500-300](#) [345-220-058](#) [346-240-318](#) [357-030-526-201](#) [387-012-523-300](#) [395-044-520-300](#) [395-100-524-300](#) [50-12B-10](#) [50-6SN-5](#) [09-07-2032](#) [10035388-106LF](#) [10035388-802LF](#) [10122859-009LF](#) [10127905-B04B24BLF](#) [530555-1](#) [EBT156-15A2X](#) [2007209-1](#)