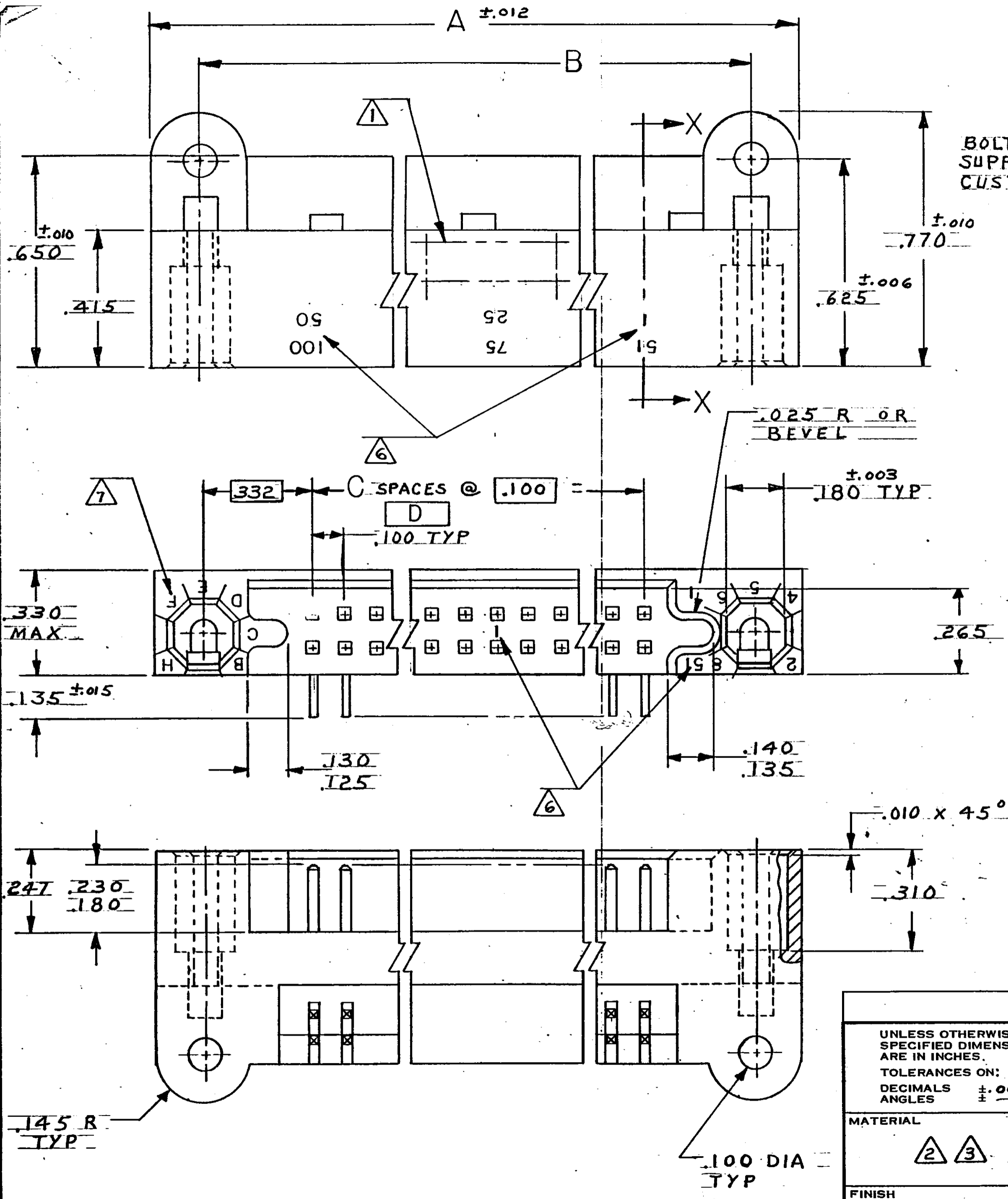


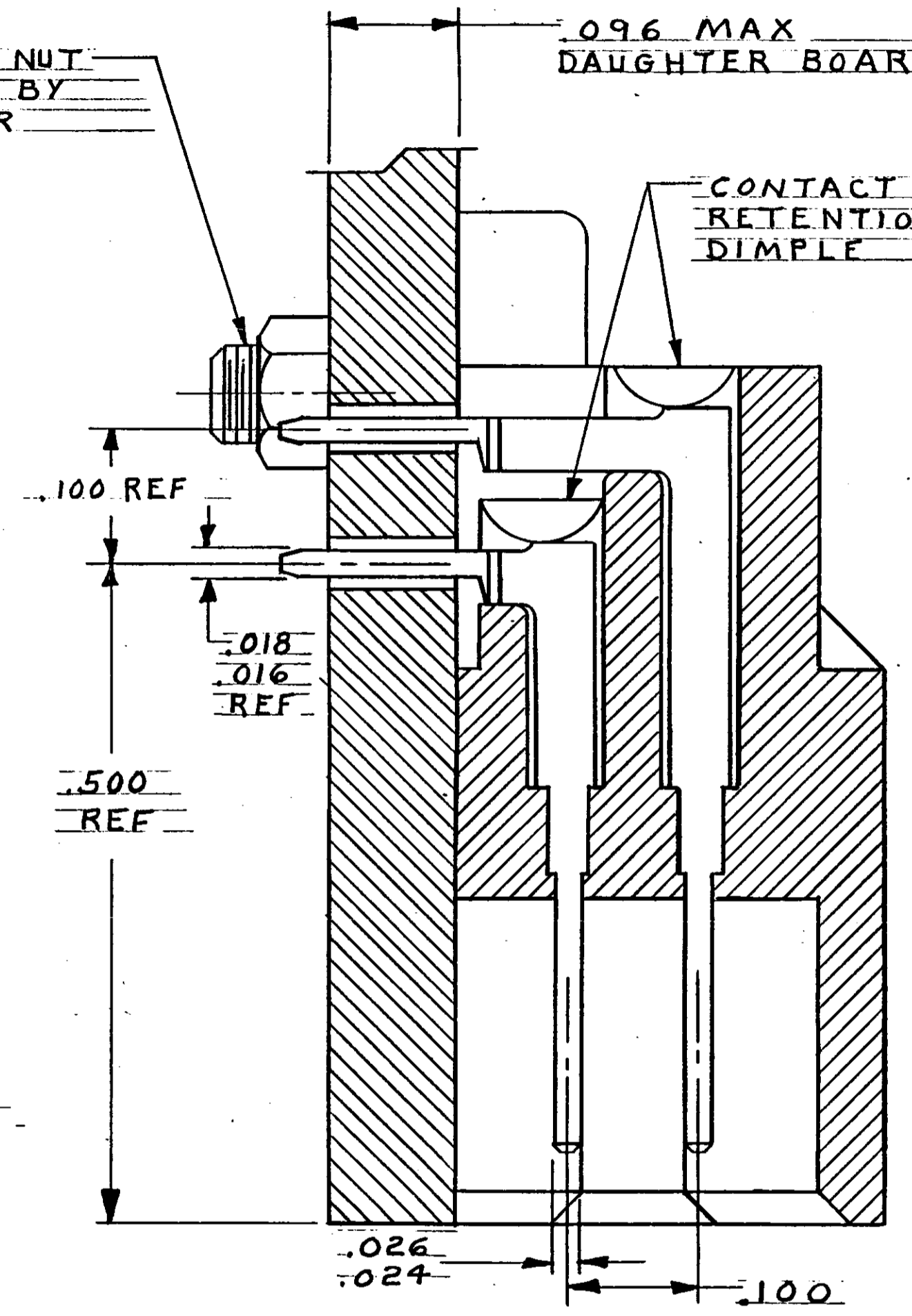
REVISIONS				DATE	APPROVED
P	F	ZONE	LTR	DESCRIPTION	
A1		G1		REVISED PER ECO-11-005030	26MAR11 HMR



BOLT AND NUT SUPPLIED BY CUSTOMER

096 MAX DAUGHTER BOARD

CONTACT RETENTION DIMPLE

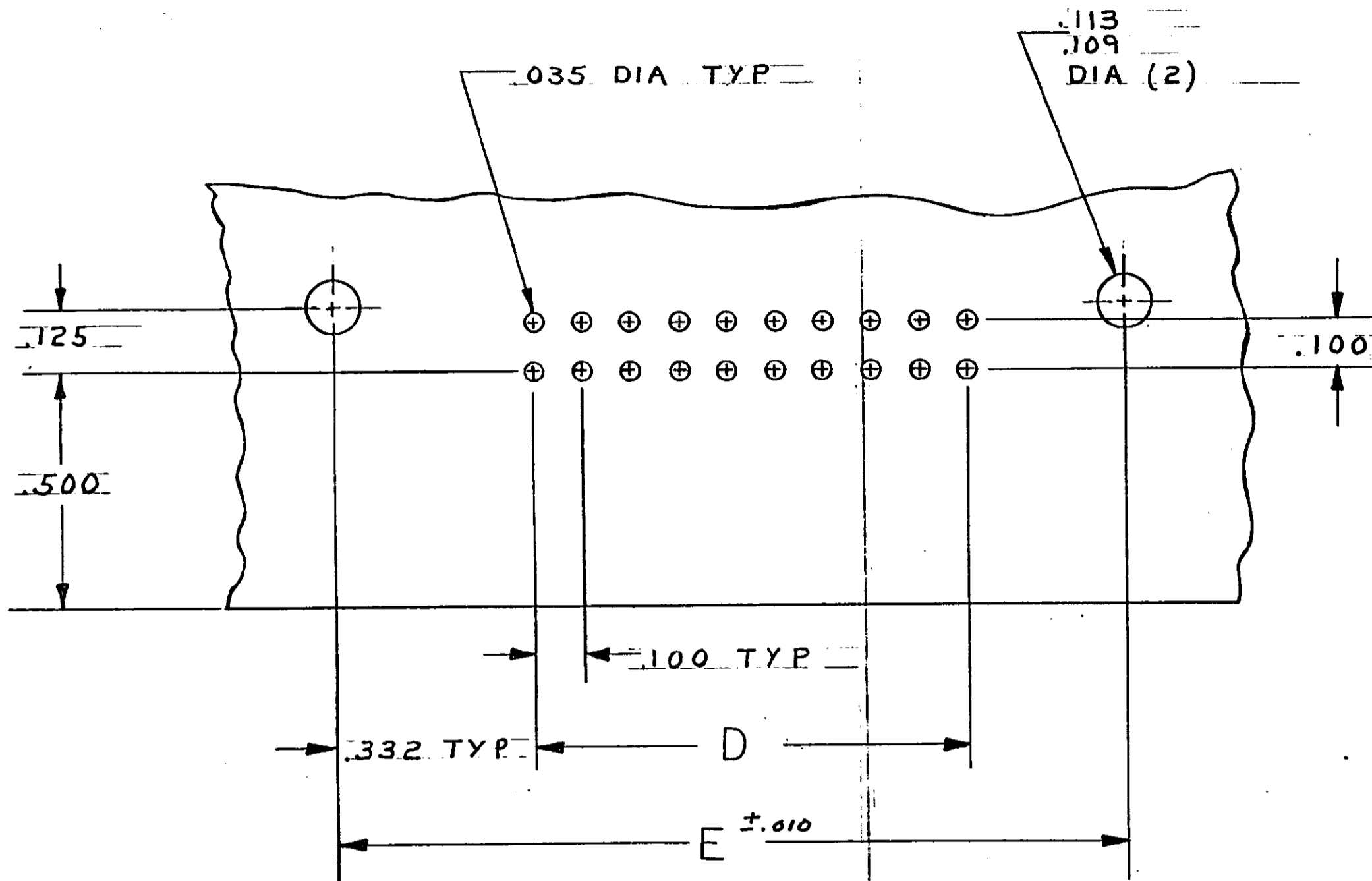


UNLESS OTHERWISE SPECIFIED DIMENSIONS ARE IN INCHES. TOLERANCES ON: DECIMALS $\pm .005$ ANGLES \pm	CONTRACT NO	PART NO	
	DR <i>M. Smith</i> 10-26-81	NAME STE TE Connectivity	
	CHK <i>W. Fitchard Jr</i> 12-16-81	BOX CONNECTOR, RIGHT ANGLE, PIN ASSY, 100I SERIES	
	APPD <i>W. Fitchard Jr</i> 12-16-81	SIZE C	FSCM NO 00779
MATERIAL	APPD <i>E.T. Parsons</i> 12-22-81	SCALE 4:1	SHEET 1 OF 2
FINISH	DSGN APPD	OTHER APPD	

DRAWING MADE IN THIRD ANGLE PROJECTION
 THIS DRAWING IS UNPUBLISHED. RELEASED FOR PUBLICATION
 © COPYRIGHT

5365 LOG DF FO

REVISIONS			
P	F	ZONE	LTR
DESCRIPTION			DATE
SEE SHEET 1			APPROVED



- ① AMP, 00779, PART NO & DATE CODE AND MILITARY PART NO MARKED IN APPROX AREA
- ② HOUSING: GLASS FILLED POLYESTER
COLOR - BLUE
- ③ CONTACT: BRASS
- ④ CONTACT FINISH: .000050 GOLD IN CONTACT AREA, TIN-LEAD ON SOLDER TAILS, NICKEL UNDERPLATE.
- 5. MIL-C-55302 INSPECTION REQUIRED.
- ⑥ NUMBERS AND LINES INDICATING EVERY FIVE CAVITIES MARKED ON MATING FACE, NUMBERS INDICATING EVERY FIVE CAVITIES MARKED ON SIDE
- ⑦ KEY POSITION IDENTIFICATION MOLDED ON SURFACE SHOWN.

RECOMMENDED P.C. BOARD LAYOUT

M 55302/110-31	1 - 71	7.565	6.900	69	7.565	7.855	140	1-531721-3
	-30	7.265	6.600	66	7.265	7.555	134	1- -2
	-29	7.065	6.400	64	7.065	7.355	130	1- -1
	-28	6.565	5.900	59	6.565	6.855	120	1- -0
	-18	6.065	5.400	54	6.065	6.355	110	-9
	-17	5.565	4.900	49	5.565	5.855	100	-8
	-16	5.065	4.400	44	5.065	5.355	90	-7
	-15	4.565	3.900	39	4.565	4.855	80	-6
	-14	4.065	3.400	34	4.065	4.355	70	-5
	-13	3.565	2.900	29	3.565	3.855	60	-4
	-12	3.065	2.400	24	3.065	3.355	50	-3
	-11	2.565	1.900	19	2.565	2.855	40	-2
M 55302/110-10	1 - 16	2.065	1.400	14	2.065	2.355	30	531721-1
MILITARY PART NO.	CONTACT IDENT NO.	E	D	C	B	A	NO. POS	PART NO

UNLESS OTHERWISE SPECIFIED DIMENSIONS ARE IN INCHES. TOLERANCES ON: DECIMALS \pm .005 ANGLES	CONTRACT NO DR <i>M. Smith</i> 10-27-81		TE Connectivity NAME BOX CONNECTOR, RIGHT ANGLE, PIN ASSY, 1001 SERIES	
	MATERIAL ② ③	CHG <i>W. Pritchard Jr</i> 12-16-81 APPD <i>W. Pritchard Jr</i> 12-16-81 APPD <i>E.T. Parsons</i> 12-22-81		
FINISH ④	OTHER APPD		SIZE C	FSCM NO 00779
			DRAWING NO 531721	REV G1
			SCALE 4:1	SHEET 2

CUSTOMER DRAWING

531721

X-ON Electronics

Largest Supplier of Electrical and Electronic Components

Click to view similar products for [Headers & Wire Housings](#) category:

Click to view products by [TE Connectivity](#) manufacturer:

Other Similar products are found below :

[95000-104TRLF](#) [10135584-644402LF](#) [DF62W-EP2022PCA](#) [95000-106TRLF](#) [DF62W-2022SCA](#) [DF62W-EP2022PC](#) [2203348](#) [DF62W-2022SC](#) [1084018](#) [1029039](#) [1084017](#) [802-10-012-10-002000](#) [1112640](#) [1112639](#) [000-34000](#) [0009482033](#) [0009507031](#) [57102-S06-03LF](#) [57202-S52-04LF](#) [PCN6-15S-2.5E](#) [0039019024](#) [58102-G61-06LF](#) [582553-1](#) [0009485154](#) [0009508121](#) [0022285053](#) [0050291907](#) [018731A](#) [LY20-4P-DT1-P1E-BR](#) [02.125.8002.8](#) [60101931](#) [60598-1 \(Cut Strip\)](#) [M1625-3R/100](#) [61062-3](#) [61082-181009](#) [636-1427](#) [638009-1](#) [641938-9](#) [641991-4](#) [644168-1](#) [647662-1](#) [65039-019ELF](#) [65817-002LF](#) [65817-015LF](#) [65863-015LF](#) [66207-023LF](#) [67016-026LF](#) [67046-001LF](#) [67095-007LF](#) [67230-005LF](#)