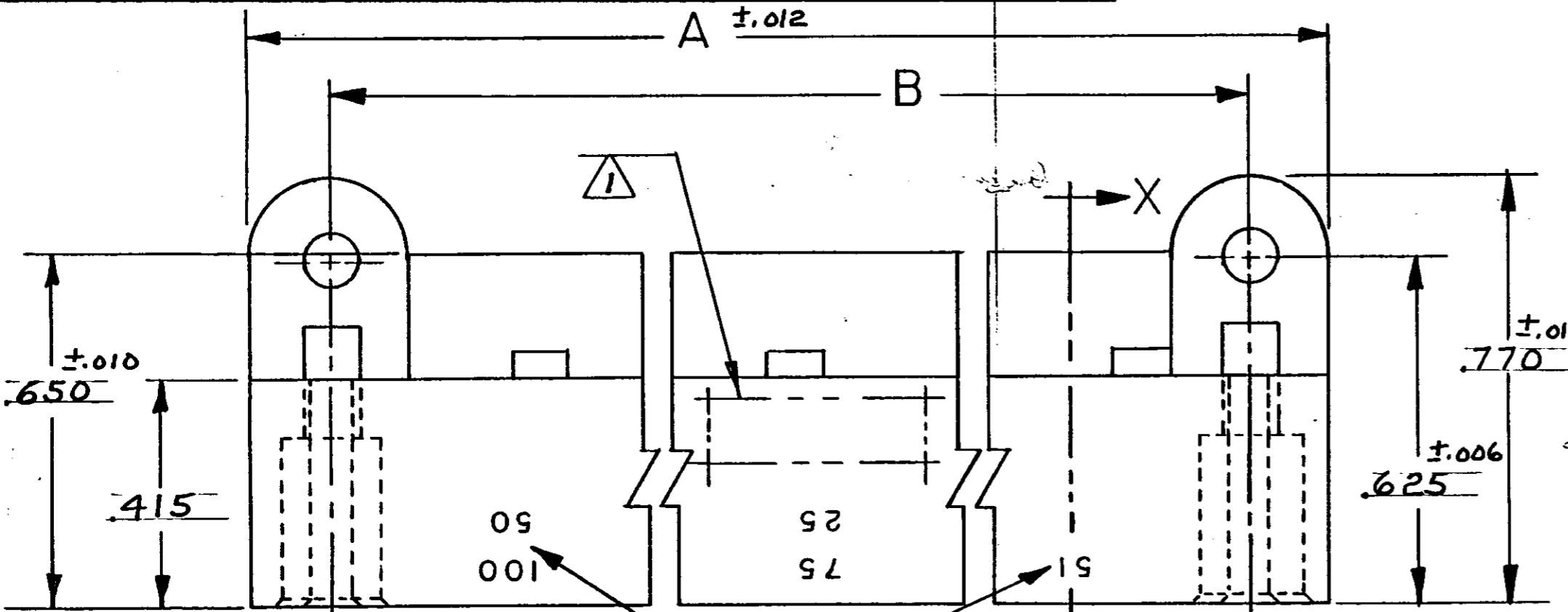


THIS DRAWING IS UNPUBLISHED. RELEASED FOR PUBLICATION 19
© COPYRIGHT 19 BY AMP INCORPORATED, HARRISBURG, PA. ALL INTERNATIONAL RIGHTS RESERVED. AMP PRODUCTS MAY BE COVERED BY U.S. AND FOREIGN PATENTS AND/OR PATENTS PENDING.

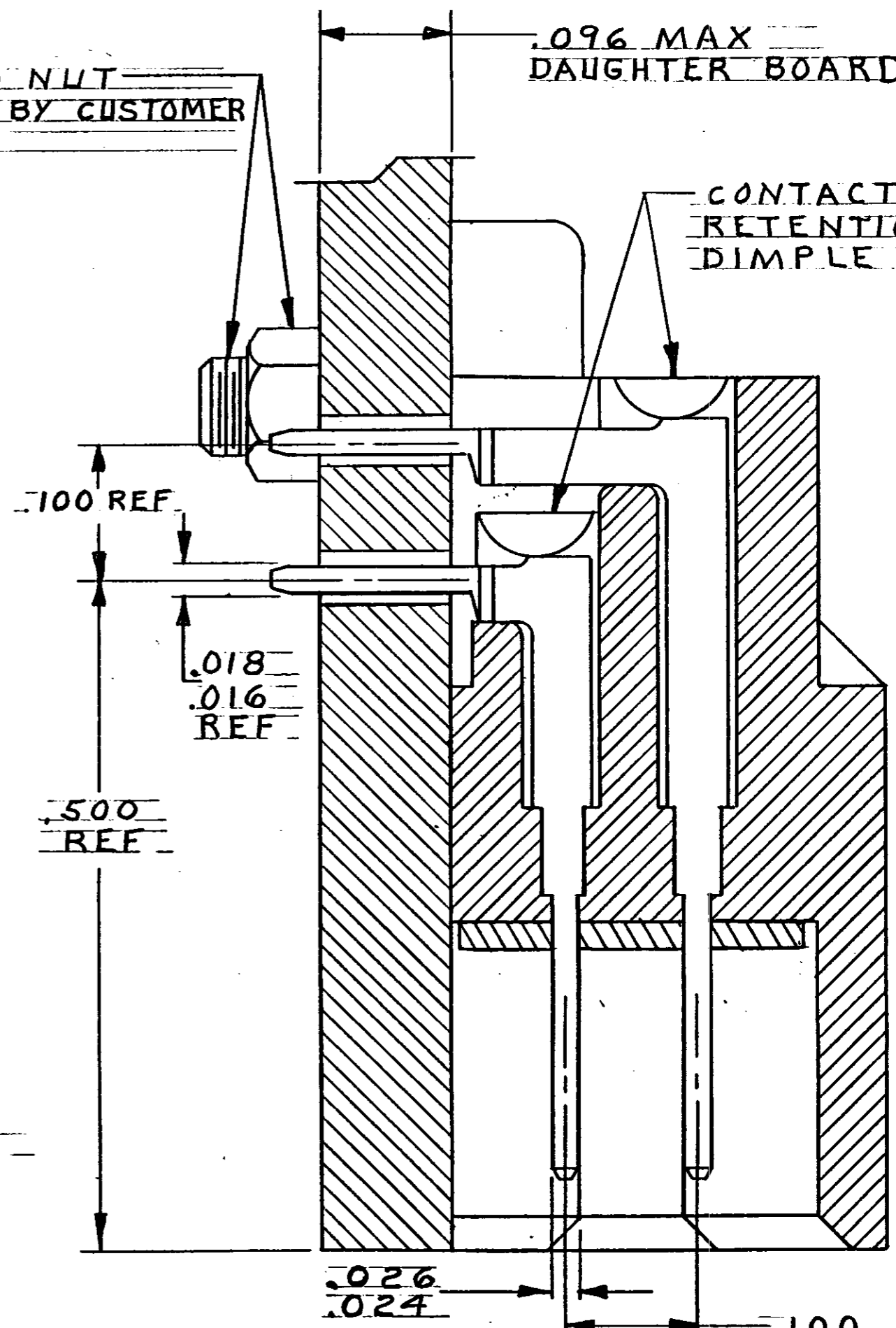
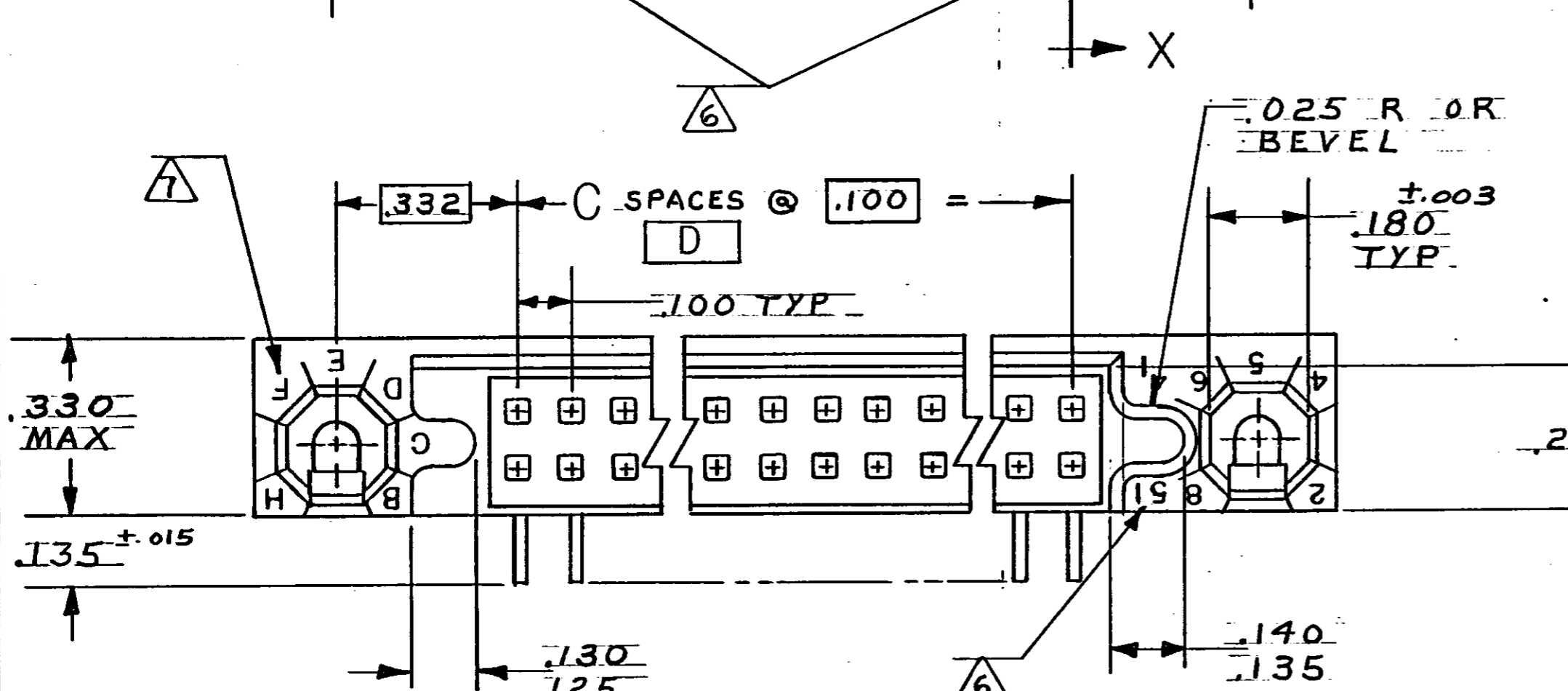
REVISIONS					DATE	APPROVED
P	F	ZONE	LTR	DESCRIPTION		
			J	ECO-08-020831	PY 10-08	BW



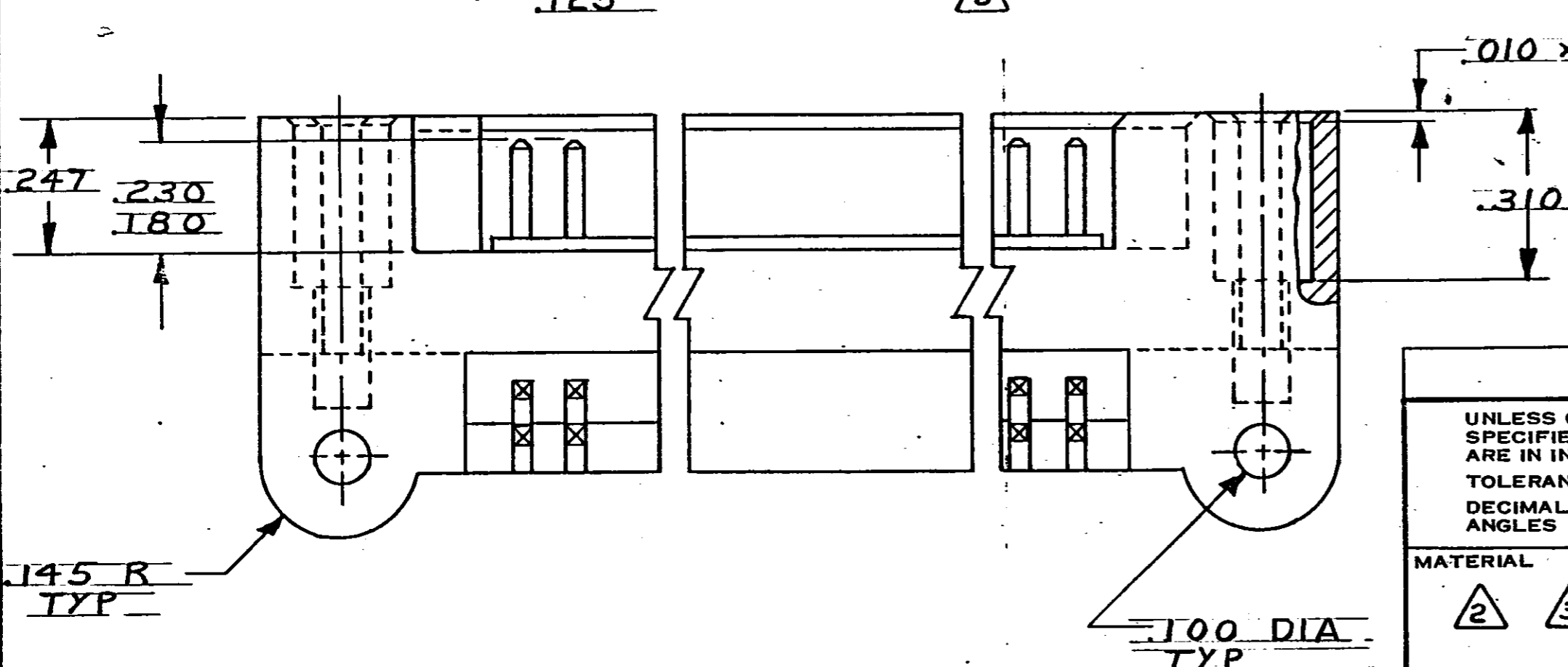
BOLT AND NUT SUPPLIED BY CUSTOMER

.096 MAX DAUGHTER BOARD

CONTACT RETENTION DIMPLE



SECTION X-X
SCALE 10:1



UNLESS OTHERWISE SPECIFIED DIMENSIONS ARE IN INCHES. TOLERANCES ON: DECIMALS ±.005 ANGLES	CONTRACT NO		PART NO	
	DR <i>M. Smith</i> 10-28-81		AMP AMP INCORPORATED Harrisburg, Pa. 17105	
	CHR <i>W. H. Pritchard Jr</i> 12-16-81		NAME BOX CONNECTOR, PIN ASSY, RIGHT ANGLE, 100I SERIES, W/GASKET	
	APPD <i>W. H. Pritchard Jr</i> 12-16-81		SIZE C FSCM NO 00779 DRAWING NO 531722 REV J	
MATERIAL	APPD <i>ST. Parsons</i> 12-22-81		SCALE 4:1 SHEET 1 OF 2	
FINISH	OTHER APPD			

531722

DRAWING MADE IN THIRD ANGLE PROJECTION

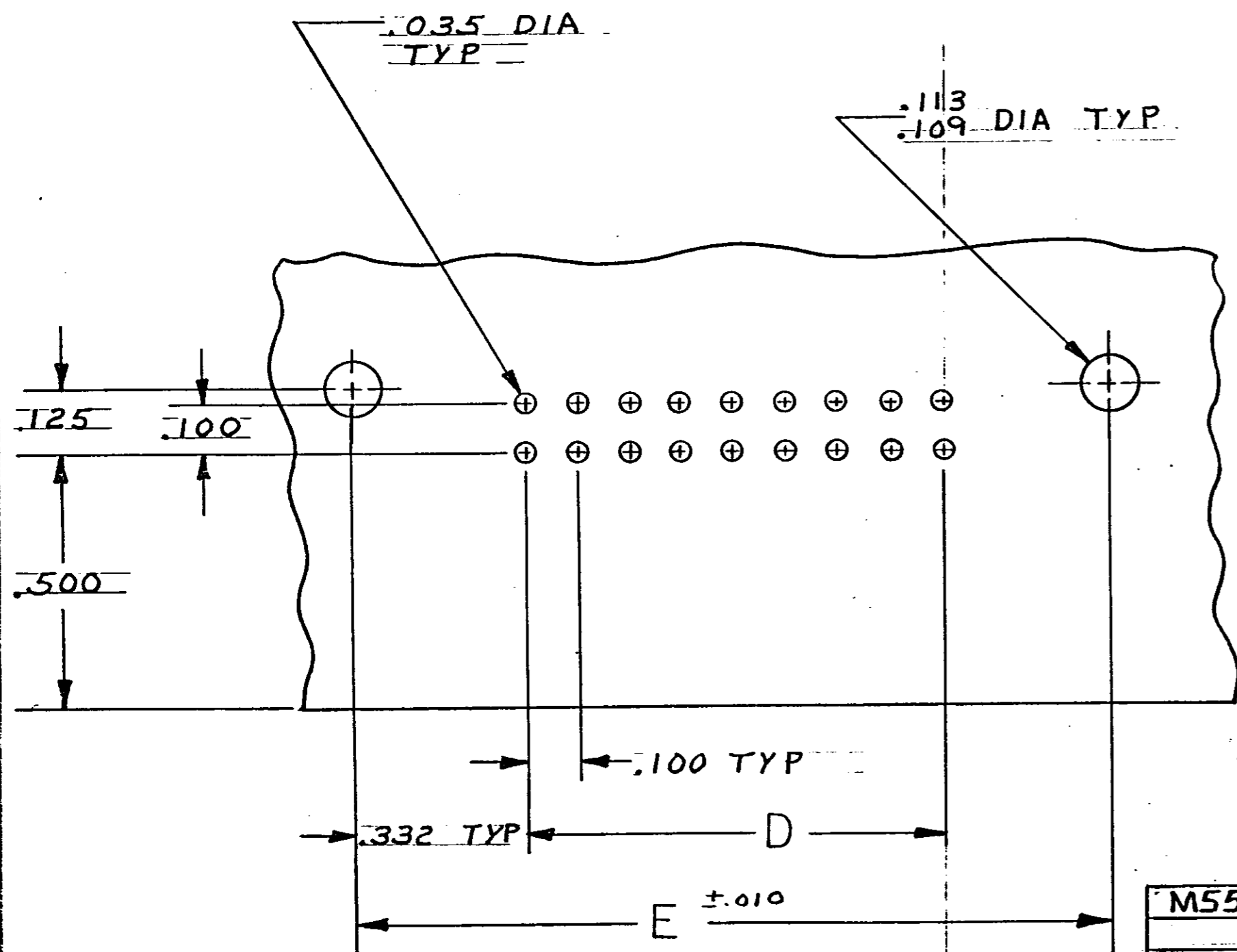
3

2

5365 LOG DF FO

THIS DRAWING IS UNPUBLISHED. RELEASED FOR PUBLICATION, 19
 © COPYRIGHT 19 BY AMP INCORPORATED, HARRISBURG, PA. ALL INTERNATIONAL RIGHTS RESERVED. AMP PRODUCTS MAY BE COVERED BY U.S. AND FOREIGN PATENTS AND/OR PATENTS PENDING.

REVISIONS						
P	F	ZONE	LTR	DESCRIPTION	DATE	APPROVED
✓	U			SEE SHT 1		



RECOMMENDED P.C. BOARD LAYOUT

- ① AMP, 00779, PART NUMBER; DATE CODE AND MILITARY PART NO. TO BE MARKED IN THIS APPROX AREA.
- ② HOUSING: GLASS FILLED POLYESTER
COLOR - BLUE
- ③ CONTACT: BRASS
FINISH: .000050 GOLD OVER NICKEL IN CONTACT AREA, TIN LEAD OVER NICKEL ON CONTACT TAILS.
- ④ GASKET: SILICONE RUBBER.
- ⑤ MIL-C-55302 GROUP A INSPECTION REQUIRED.
- ⑥ NUMBERS INDICATING EVERY FIVE CAVITIES MARKED ON SIDE, NUMBERS INDICATING END CAVITIES MARKED ON MATING FACE
- ⑦ KEY POSITION IDENTIFICATION MOLDED ON SURFACE SHOWN.
- ⑧ OBS PART NO.

M55302/110-35	1 - 71	7.565	6.900	69	7.565	7.855	140	1-531722-3
-34	1 - 68	7.265	6.600	66	7.265	7.555	134	1-2
-33	1 - 66	7.065	6.400	64	7.065	7.355	130	1-1
-32	1 - 61	6.565	5.900	59	6.565	6.855	120	1-0
-27	1 - 56	6.065	5.400	54	6.065	6.355	110	-9
-26	1 - 51	5.565	4.900	49	5.565	5.855	100	-8
-25	1 - 46	5.065	4.400	44	5.065	5.355	90	-7
-24	1 - 41	4.565	3.900	39	4.565	4.855	80	-6
-23	1 - 36	4.065	3.400	34	4.065	4.355	70	-5
-22	1 - 31	3.565	2.900	29	3.565	3.855	60	-4
-21	1 - 26	3.065	2.400	24	3.065	3.355	50	-3
-20	1 - 21	2.565	1.900	19	2.565	2.855	40	-2
M55302/110-19	1 - 16	2.065	1.400	14	2.065	2.355	30	531722-1
MILITARY PART NUMBER	CONTACT IDENT NO.	E	D	C	B	A	NO. OF POSITION	PART NO

UNLESS OTHERWISE SPECIFIED DIMENSIONS ARE IN INCHES. TOLERANCES ON: DECIMALS ±.005 ANGLES ±	CONTRACT NO	AMP AMP INCORPORATED Harrisburg, Pa. 17105	
	DR <i>M. Smith</i> 10-29-81	NAME BOX CONNECTOR, PIN ASSY, RIGHT ANGLE, 100I SERIES, W/GASKET	
MATERIAL	CHK <i>W. Litchard Jr</i> 12-16-81	SIZE C	FSCM NO 00779
FINISH	APPD <i>W. Litchard Jr</i> 12-16-81	DRAWING NO 531722	REV J
	APPD <i>E. T. Parsons</i> 12-22-81	SCALE 4:1	SHEET 2 of 2
	DSGN APPD	CUSTOMER DRAWING	
	OTHER APPD		

531722

X-ON Electronics

Largest Supplier of Electrical and Electronic Components

Click to view similar products for [Headers & Wire Housings](#) category:

Click to view products by [TE Connectivity](#) manufacturer:

Other Similar products are found below :

[95000-104TRLF](#) [10135584-644402LF](#) [DF62W-EP2022PCA](#) [95000-106TRLF](#) [DF62W-2022SCA](#) [DF62W-EP2022PC](#) [2203348](#) [DF62W-2022SC](#) [1084018](#) [1029039](#) [1084017](#) [802-10-012-10-002000](#) [1112640](#) [1112639](#) [000-34000](#) [0009482033](#) [0009507031](#) [57102-S06-03LF](#) [57202-S52-04LF](#) [PCN6-15S-2.5E](#) [0039019024](#) [58102-G61-06LF](#) [582553-1](#) [0009485154](#) [0009508121](#) [0022285053](#) [0050291907](#) [018731A](#) [LY20-4P-DT1-P1E-BR](#) [02.125.8002.8](#) [60101931](#) [60598-1 \(Cut Strip\)](#) [M1625-3R/100](#) [61062-3](#) [61082-181009](#) [636-1427](#) [638009-1](#) [641938-9](#) [641991-4](#) [644168-1](#) [647662-1](#) [65039-019ELF](#) [65817-002LF](#) [65817-015LF](#) [65863-015LF](#) [66207-023LF](#) [67016-026LF](#) [67046-001LF](#) [67095-007LF](#) [67230-005LF](#)