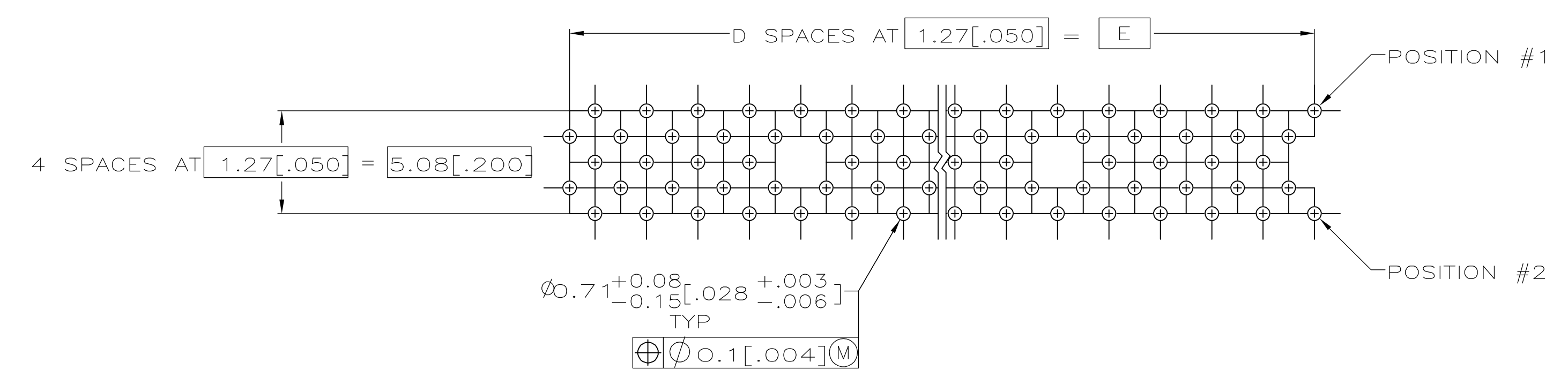
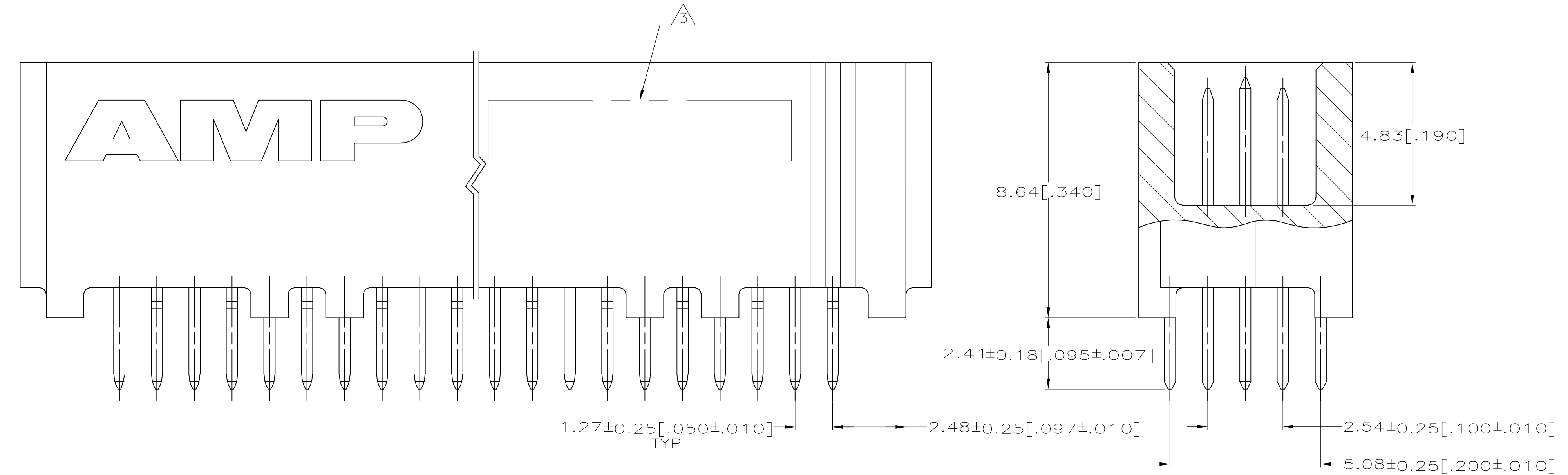


1 HOUSING: HIGH TEMPERATURE THERMOPLASTIC, COLOR NATURAL.
 PIN CONTACTS: PHOSPHOR BRONZE.
 GROUND BUSSES: PHOSPHOR BRONZE.

2 PIN CONTACTS: 0.00076[.000030] MIN GOLD IN CONTACT AREA,
 0.00254-0.00762[.000100-.000300] TIN-LEAD ON SOLDER TAIL,
 ALL OVER 0.00127-0.00254[.000050-.000100] NICKEL ON ENTIRE CONTACT.

GROUND BUSSES: 0.00076[.000030] MIN GOLD IN CONTACT AREA,
 0.00254-0.00762[.000100-.000300] TIN-LEAD ON SOLDER TAIL,
 ALL OVER 0.00127-0.00254[.000050-.000100] NICKEL ON ENTIRE BUS.

3 DATE CODE MARKED IN AREA INDICATED.



	151.13[5.950]	119	153.62[6.048]	156.08[6.145]	157.84[6.214]	240	1-536280-1
OBSOLETE	138.43[5.450]	109	140.92[5.548]	143.38[5.645]	145.14[5.714]	220	1-536280-0
OBSOLETE	125.73[4.950]	99	128.22[5.048]	130.68[5.145]	132.44[5.214]	200	536280-9
	113.03[4.450]	89	115.52[4.548]	117.98[4.645]	119.74[4.714]	180	536280-8
	100.33[3.950]	79	102.82[4.048]	105.28[4.145]	107.04[4.214]	160	536280-7
OBSOLETE	87.63[3.450]	69	90.12[3.548]	92.58[3.645]	94.34[3.714]	140	536280-6
	74.93[2.950]	59	77.42[3.048]	79.88[3.145]	81.64[3.214]	120	536280-5
	62.23[2.450]	49	64.72[2.548]	67.18[2.645]	68.94[2.714]	100	536280-4
	49.53[1.950]	39	52.02[2.048]	54.48[2.145]	56.24[2.214]	80	536280-3
OBSOLETE	36.83[1.450]	29	39.32[1.548]	41.78[1.645]	43.54[1.714]	60	536280-2
	24.13[.950]	19	26.62[1.048]	29.08[1.145]	30.84[1.214]	40	536280-1
	E	D	C	B	A	NO OF POS	PART NUMBER

THIS DRAWING IS A CONTROLLED DOCUMENT.

DIMENSIONS:	TOLERANCES UNLESS OTHERWISE SPECIFIED:	DWN	J.GERACE	3-27-92		Tyco Electronics Corporation
mm [INCHES]	0. PLC ± - 1. PLC ± - 2. PLC ± - 3. PLC ± 0.13 [.005] 4. PLC ± - ANGLES ± -	CHK	J.GERACE	3-27-92		Harrisburg, PA 17105-3608
MATERIAL	FINISH	APPRO	J.GERACE	3-27-92	NAME	PLUG ASSEMBLY, 10.92[.430] STACK, 2.41[.095] SOLDER TAIL, BOARD TO BOARD, MICRO-STRIP
1	2	PRODUCT SPEC	108-1272	APPLICATION SPEC	SIZE	A1
		114-11005	114-11005	114-11005	CAGE CODE	00779
		WEIGHT	-	WEIGHT	DRAWING NO	536280
		CUSTOMER DRAWING		SCALE	10:1	SHEET 1 OF 1

X-ON Electronics

Largest Supplier of Electrical and Electronic Components

Click to view similar products for [High Speed/Modular Connectors](#) category:

Click to view products by [TE Connectivity](#) manufacturer:

Other Similar products are found below :

[2332816-1](#) [89006-1137LF](#) [650827-1](#) [65762-001LF](#) [73474-201LF](#) [74040-1346](#) [74075-0267](#) [1410191-1](#) [1410337-1](#) [1410368-3](#) [1410964-2](#)
[1410367-3](#) [1410971-4](#) [1467833-1](#) [2000877-1](#) [2000878-1](#) [2041314-1](#) [2065387-1](#) [2187307-1](#) [2187462-1](#) [2226278-6](#) [KA81-07](#) [91290-101LF](#)
[163P](#) [1934290-1](#) [2000875-1](#) [2065917-1](#) [2102736-2](#) [FSR-40](#) [2169868-2](#) [2226279-2](#) [22354-8](#) [437-5040-000](#) [5-1393565-0](#) [532449-3](#) [532803-](#)
[2](#) [34745-0001](#) [0736440217](#) [1-1393708-5](#) [72388-0021LF](#) [73774-1000](#) [532939-1](#) [5-531355-3](#) [5532901-3](#) [85838-180LF](#)
[HM1S43TRR460H6PLF](#) [0760205010](#) [1-966831-4](#) [3-1469268-7](#) [77427-121LF](#)