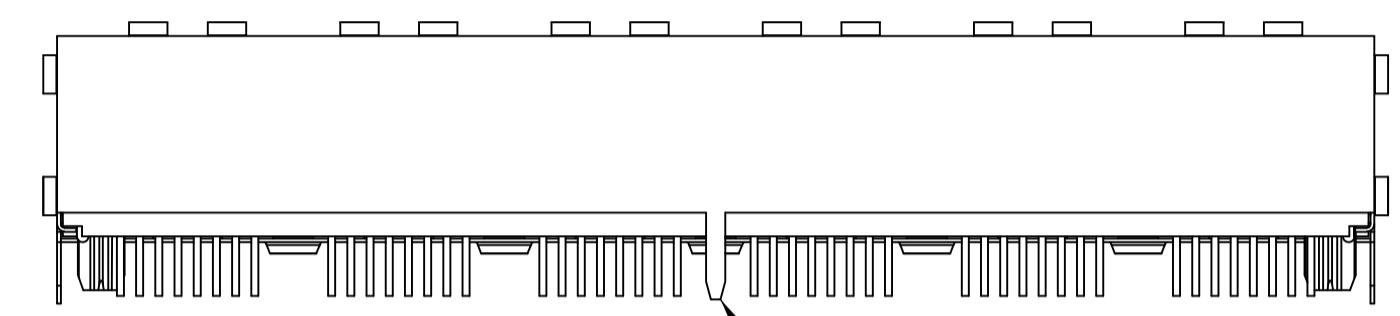
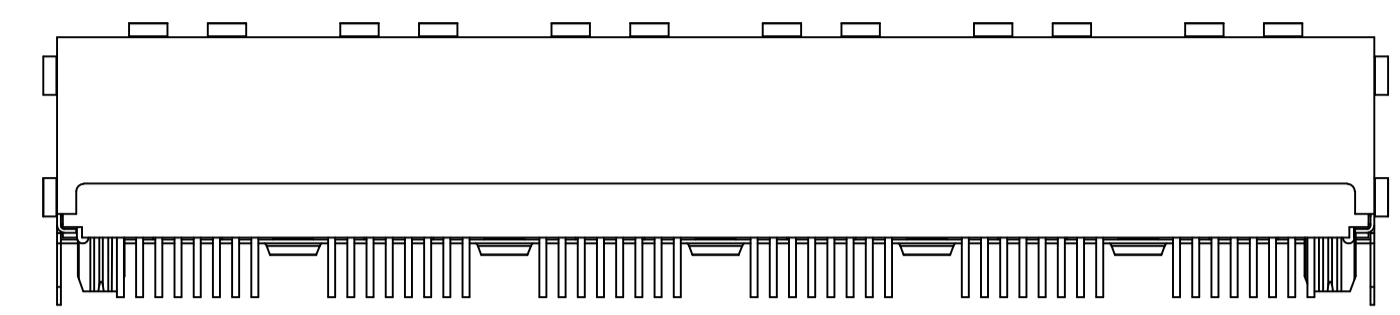
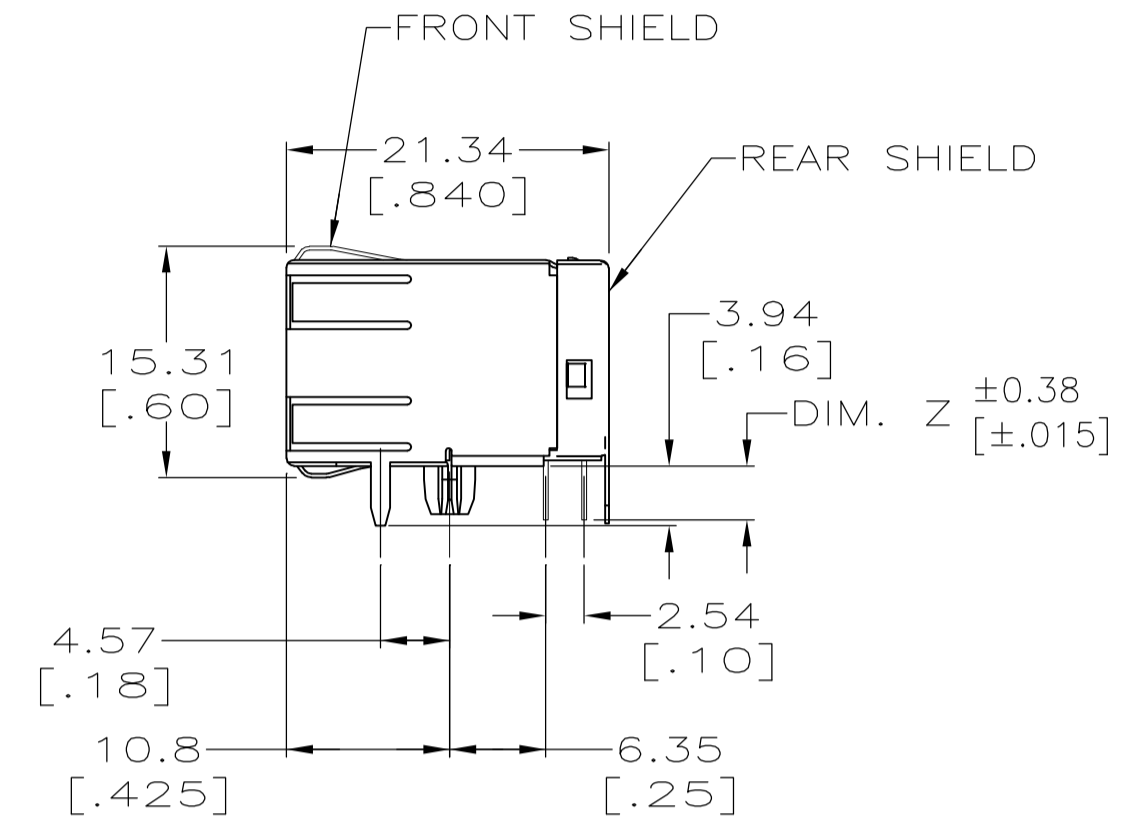
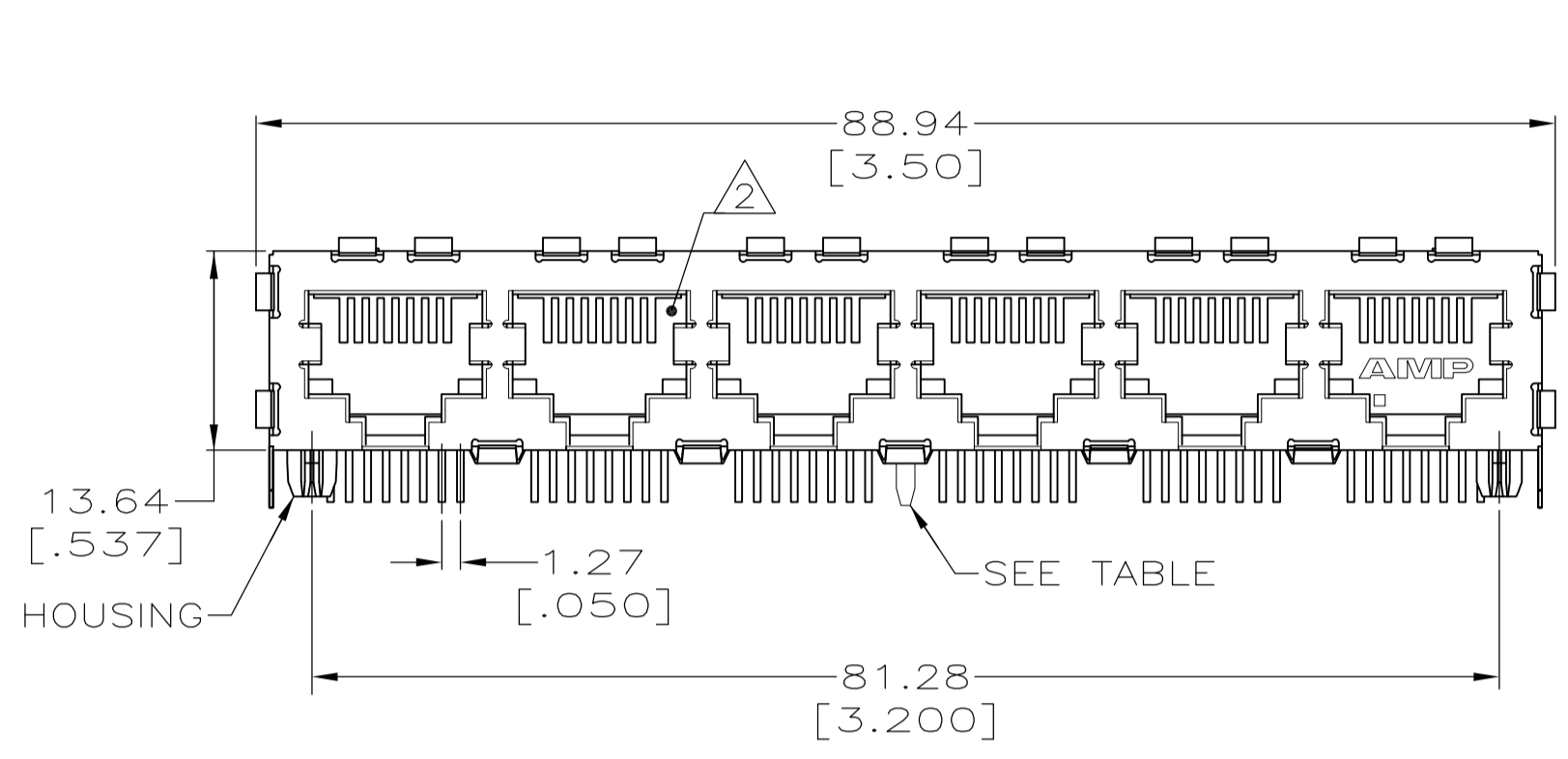


REVISIONS					
REV	DATE	DESCRIPTION	BY	CHK	APPV
E	11JUL2016	ECO-16-010227		LL	SH



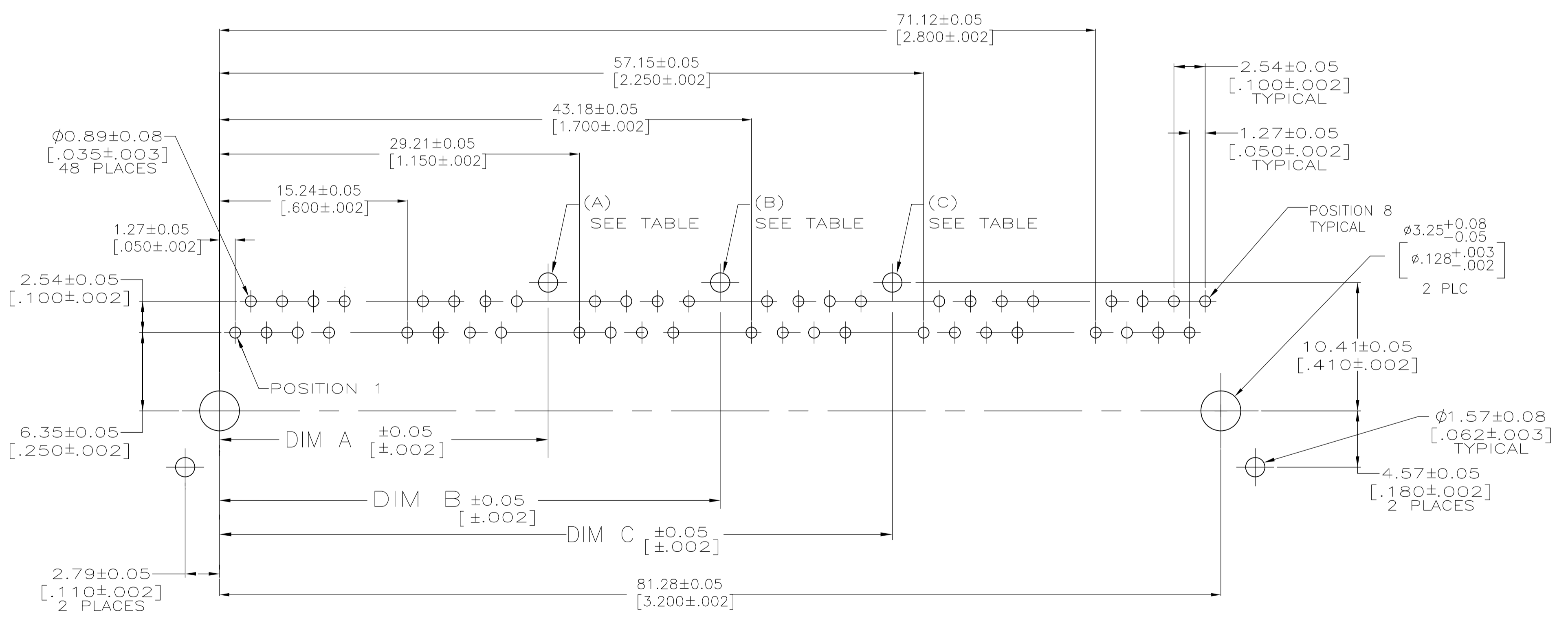
MATERIAL: HOUSING - NYLON, BLACK, UL 94V-0.
 OVERMOLDED TERMINAL ARRAY - PBT, BROWN.
 TERMINALS - 0.33[.013] THICK PHOS BRONZE PLATED WITH 1.27 μm [.000050] MINIMUM HARD GOLD IN LOCALIZED AREA AND 3.81 μm [.000150] MINIMUM MATTE TIN IN SOLDER AREA OVER 1.27 μm [.000050] MINIMUM NICKEL UNDERPLATE.
 SHIELDS - 0.25 [.010] THICK COPPER ALLOY PLATED WITH 1.27 μm [.000050] MINIMUM NICKEL AND 2.03 μm [.000080] MINIMUM HOT TIN DIP ON PCB GROUND TABS.

JACK CAVITY CONFORMS TO FCC RULES AND REGULATIONS, PART 68 SUBPART F.

OBSOLETE PARTS: OBSOLETE CIS STREAMLINING PER D.RENAUD/D.SINISI

ENLARGED THE DISTANCE BETWEEN THE CONTACTS AND SHIELD

MATERIAL: HOUSING - NYLON, BLACK, UL 94V-0.
 OVERMOLDED TERMINAL ARRAY - PBT, BROWN.
 TERMINALS - 0.33[.013] THICK PHOS BRONZE PLATED WITH 0.76 μm [.000030] MINIMUM HARD GOLD IN LOCALIZED AREA AND 3.81 μm [.000150] MINIMUM MATTE TIN IN SOLDER AREA OVER 1.27 μm [.000050] MINIMUM NICKEL UNDERPLATE.
 SHIELDS - 0.25 [.010] THICK COPPER ALLOY PLATED WITH 1.27 μm [.000050] MINIMUM NICKEL AND 2.03 μm [.000080] MINIMUM HOT TIN DIP ON PCB GROUND TABS.



RECOMMENDED PC BOARD LAYOUT
COMPONENT SIDE (TOP)
SCALE 4:1

REV	DATE	DESCRIPTION	BY	CHK	APPV	PART NO		
3		OBSOLETE				5406206-4		
						5406206-3		
						5406206-2		
						5406206-1		
		MATERIAL	DIM Z	DIM A	DIM B	DIM C	NUMBER OR REAR PCB SHIELD GROUND TABS	PART NO

THIS DRAWING IS A CONTROLLED DOCUMENT.

DIMENSIONS: mm [INCHES]

TOLERANCES UNLESS OTHERWISE SPECIFIED:

0 PLC	± -
1 PLC	± -
2 PLC	± 0.25[.01]
3 PLC	± 0.13[.005]
4 PLC	± -

FINISH: SEE NOTE 1

THIS DRAWING IS A CONTROLLED DOCUMENT.

DIN T. SPRINKLE/L.A. MAYER 25MAY2005 17DEC096

CHK J. WESTMAN

APPV S. FLICKINGER 25MAY2005

NAME: MODULAR JACK ASSEMBLY, 6 PORT, 8 POSITION, SHIELDED, REVERSE PANEL GROUND TABS

PRODUCT SPEC: 108-1163-2

APPLICATION SPEC: 114-2048

SIZE: A1

WEIGHT: 0.000000

CUSTOMER DRAWING: 00779

SCALE: 2:1

SHEET: 1 OF 1

REV: E

X-ON Electronics

Largest Supplier of Electrical and Electronic Components

Click to view similar products for [Modular Connectors / Ethernet Connectors](#) category:

Click to view products by [TE Connectivity](#) manufacturer:

Other Similar products are found below :

[RJE231881317T](#) [MP1010RX-1000](#) [MP44RX-1000](#) [GAX-3-66](#) [GAX-8-62](#) [93606-0253](#) [GD-A-44](#) [GDCX-PA-66-50](#) [GDCX-PN-64](#) [GDCX-PN-66](#) [GDCX-PN-66-50](#) [GDLX-A-66](#) [GDLX-A-88](#) [GDLX-N-66](#) [GDLX-S-88K](#) [GDTX-S-88-50](#) [GDX-PA-1010](#) [GLX-N-1010M-BLK](#) [GLX-N-44M](#) [GLX-S-88M-BLK](#) [GMX-N-1010](#) [GMX-S-1010](#) [GMX-S-66](#) [GMX-SMT2-N-1010](#) [GMX-SMT2-N-64-50](#) [GMX-SMT2-S6-88](#) [GMX-SMT4-N-88](#) [GPX-2-64](#) [GRT1-BT1-5](#) [GSGX-N-2-88](#) [GSX-NS2-88-3.05](#) [GSX-NS2-88-3.05-50](#) [GSX-NS-88-3.05-30](#) [GSX-NS-88-3.05-50](#) [GSX-NS-88-3.68](#) [1-1775629-2](#) [GWLX-S-88-GR](#) [GWLX-S9-88-YG](#) [1300500326](#) [1300500227](#) [1300530003](#) [1300570002](#) [1324640-4](#) [RJ11FTVC2G](#) [RJ11FTVC2N](#) [RJFTVX2SA1G](#) [132764-001](#) [1400000](#) [1413176](#) [1413235](#)