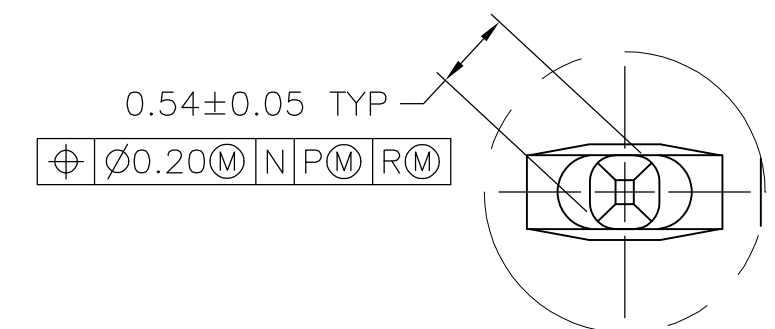
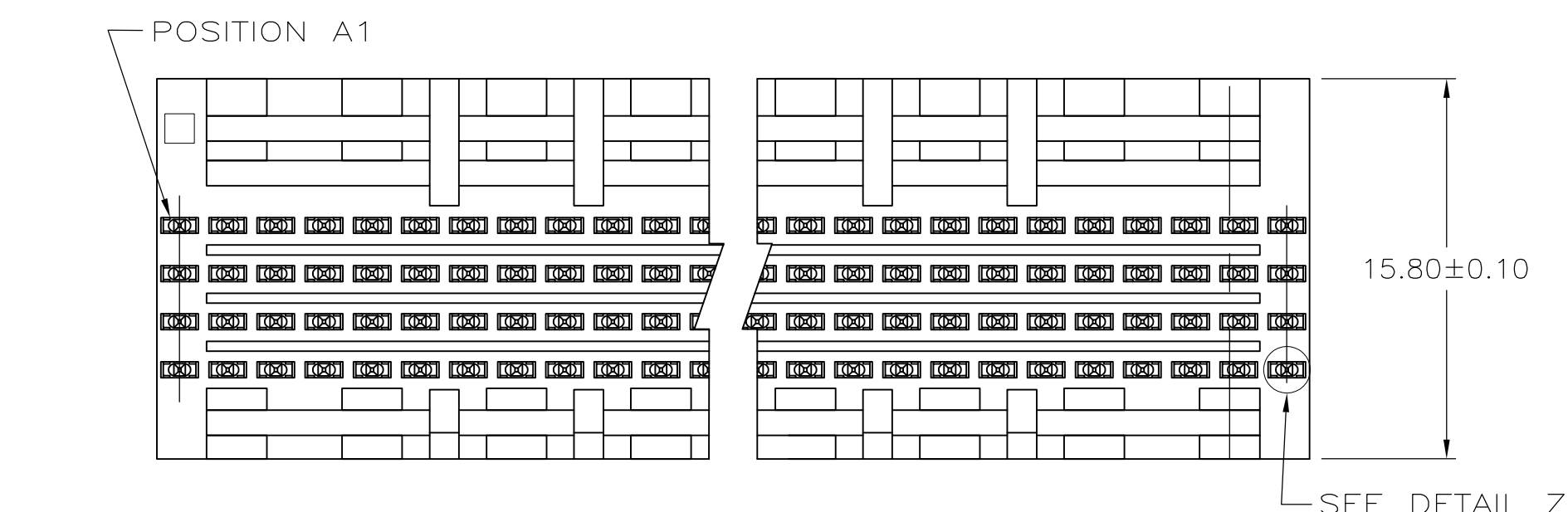
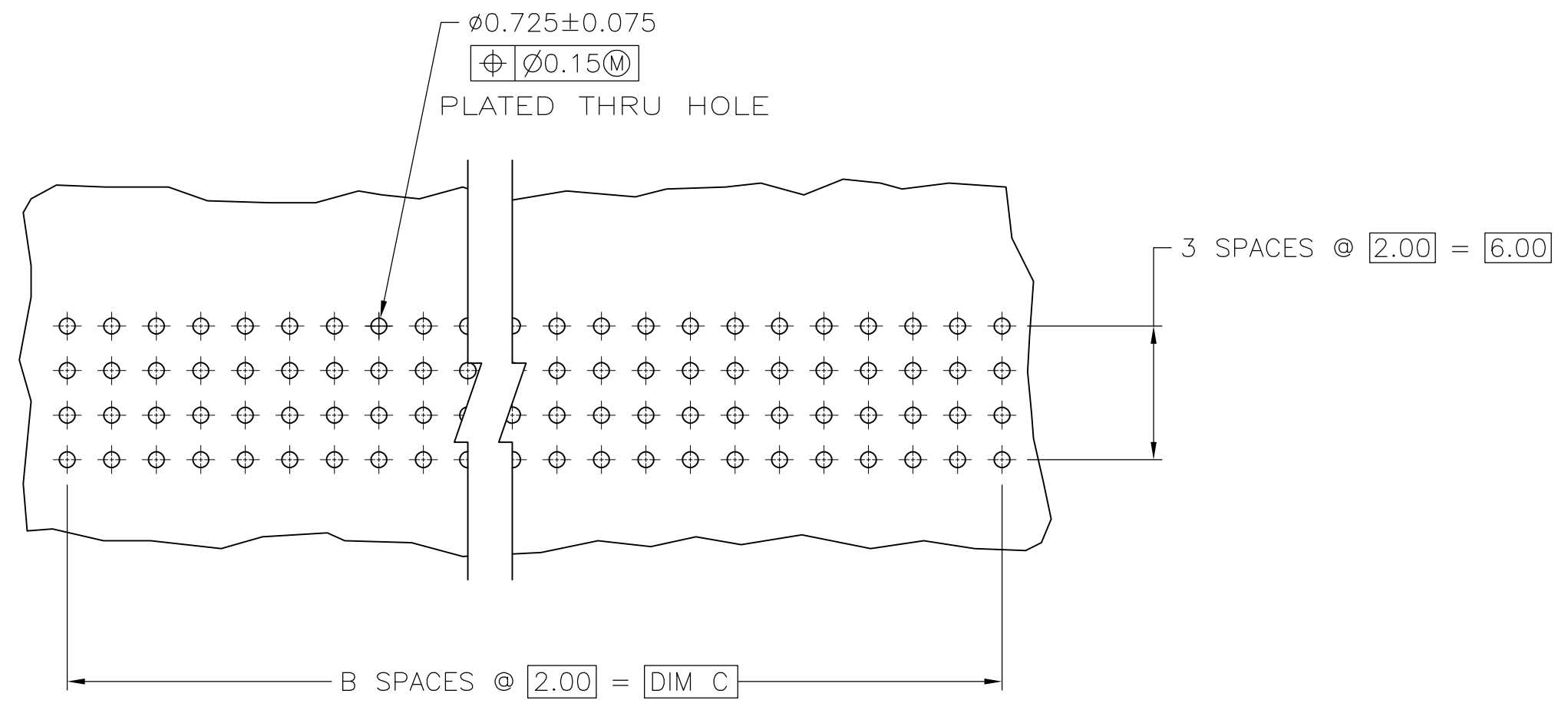
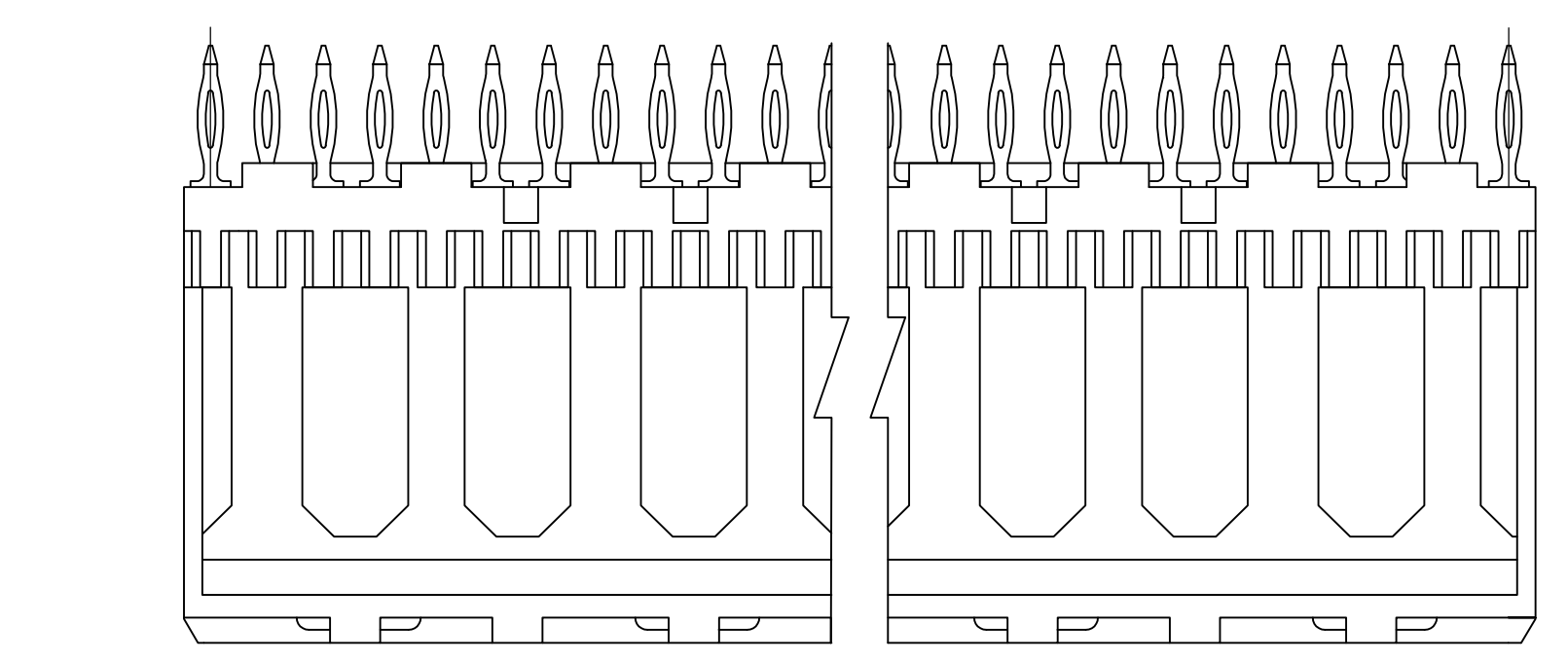


- 1 HOUSING MATERIAL: LIQUID CRYSTAL POLYMER PER ASTM D5138 LCP000 G30A 32250.
- 2 CONTACT MATERIAL: PHOSPHOR BRONZE.
- 3 CONTACT FINISH:
 UNDERPLATE (ENTIRE CONTACT):
 0.00127 MIN NICKEL PER SAE-AMS-QQ-N-290.
 ON MATING SURFACES:
 CONFORMS TO ALL TESTING SPECIFIED FOR TELCORDIA UNCONTROLLED ENVIRONMENT.
 ON LEADS
 0.0006 MIN TIN PER ASTM B 545 OVER UNDERPLATE.
 LUBRICATION (MIN MATING SURFACES):
 SURFACE CONDITIONER AFTER PLATING.
- 4 PART MARKING, LOCATED APPROXIMATELY AS SHOWN.
- 5 DIMENSION APPLIES WHEN SEATED ON PRINTED CIRCUIT BOARD.
- 6 OBSOLETE PARTS: OBSOLETE CIS STREAMLINING PER D.RENAUD/D.SINISI



DETAIL Z
SCALE 20:1



RECOMMENDED CIRCUIT PATTERN
PER IPC-D300 TYPE II, CLASS C
(COMPONENT SIDE)

OBSOLETE	D	C	B	A	FINISH	NO OF POSN	PART NUMBER
6	4.25	58.00	29	59.88	3	120	5536514-6
	4.25	72.00	35	71.88	3	144	5536514-5
	4.25	94.00	47	95.88	3	192	5536514-4
	4.25	46.00	23	47.88	3	96	5536514-3
	4.25	22.00	11	23.88	3	48	5536514-2
	4.25	10.00	5	11.88	3	24	5536514-1

THIS DRAWING IS A CONTROLLED DOCUMENT.

DIMENSIONS:	TOLERANCES UNLESS OTHERWISE SPECIFIED:	DWN B. MCMASTER 31AUG04	DRK R. WERTZ 31AUG04	APVD R. WERTZ 31AUG04	NAME
mm	0 PLC ± -			PRODUCT SPEC	PIN ASSEMBLY, SIGNAL MODULE, Z-PACK 2mm FB
	1 PLC ± 0.13			APPLICATION SPEC	2mm, 4 ROW, 5.00 mm MATING LENGTH
	2 PLC ± -			WEIGHT	PRESS FIT LEAD
	3 PLC ± -			SIZE	A1
	4 PLC ± -			CAGE CODE	00779
	ANGLES ± -			DRAWING NO	C=5536514
MATERIAL	FINISH	CUSTOMER DRAWING		SCALE	4:1
1	2			SHEET	1 OF 1
3				REV	P

STE TE Connectivity

X-ON Electronics

Largest Supplier of Electrical and Electronic Components

Click to view similar products for [High Speed/Modular Connectors](#) category:

Click to view products by [TE Connectivity](#) manufacturer:

Other Similar products are found below :

[2332816-1](#) [89006-1137LF](#) [650827-1](#) [65762-001LF](#) [73474-201LF](#) [74040-1346](#) [74075-0267](#) [1410191-1](#) [1410337-1](#) [1410368-3](#) [1410964-2](#)
[1410367-3](#) [1410971-4](#) [1467833-1](#) [2000877-1](#) [2000878-1](#) [2041314-1](#) [2065387-1](#) [2187307-1](#) [2187462-1](#) [2226278-6](#) [KA81-07](#) [91290-101LF](#)
[163P](#) [1934290-1](#) [2000875-1](#) [2065917-1](#) [2102736-2](#) [FSR-40](#) [2169868-2](#) [2226279-2](#) [22354-8](#) [437-5040-000](#) [5-1393565-0](#) [532449-3](#) [532803-](#)
[2](#) [34745-0001](#) [0736440217](#) [1-1393708-5](#) [72388-0021LF](#) [73774-1000](#) [532939-1](#) [5-531355-3](#) [5532901-3](#) [85838-180LF](#)
[HM1S43TRR460H6PLF](#) [0760205010](#) [1-966831-4](#) [3-1469268-7](#) [77427-121LF](#)