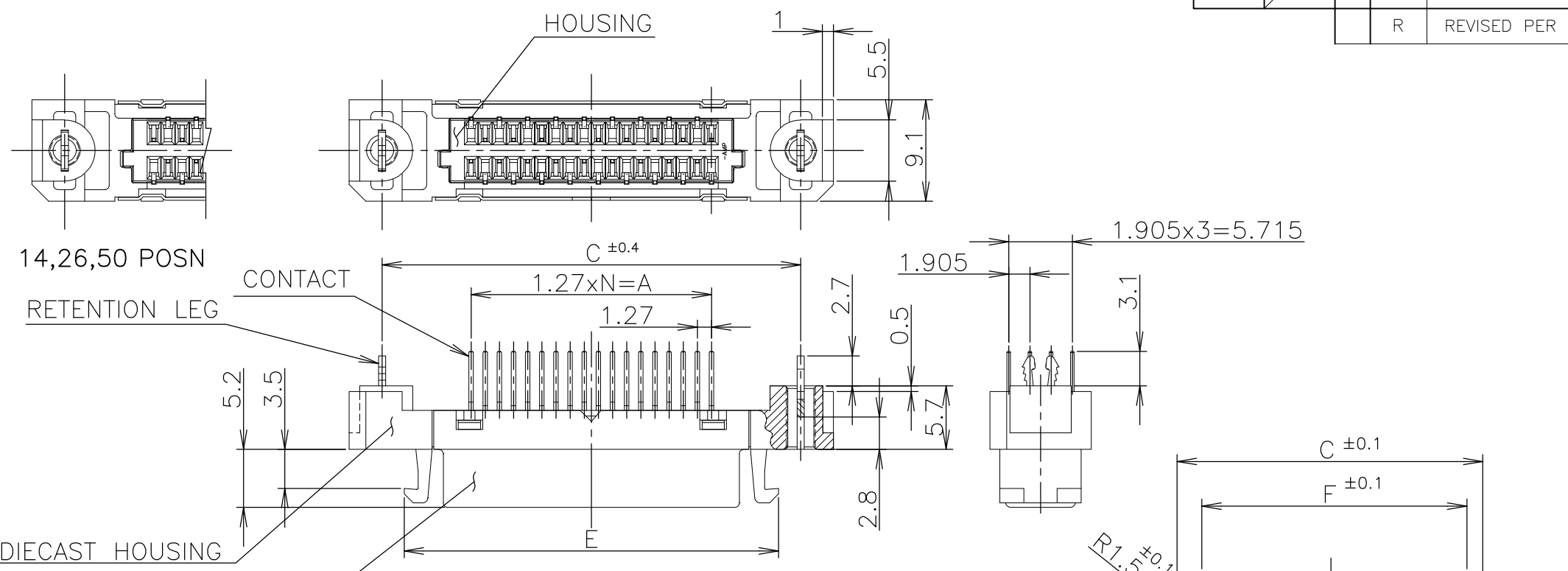


THIS DRAWING IS UNPUBLISHED. RELEASED FOR PUBLICATION SEP ,2004.
 © COPYRIGHT 2004 By - ALL RIGHTS RESERVED.

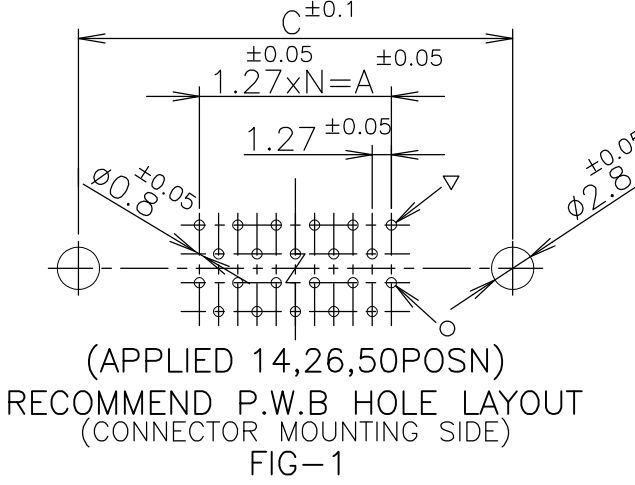
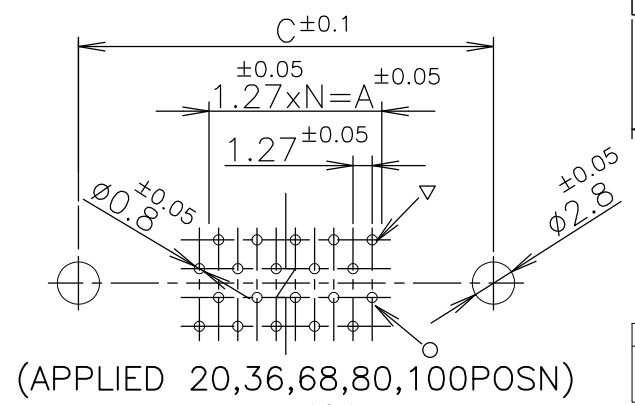
LOC	DIST	REVISIONS			
P	LTR	DESCRIPTION	DATE	DWN	APVD
J					
	R	REVISED PER ECO-12-012349	28MAR13	BL	AC



- 1 USED SCREW SIZE; M2.6 PANHEAD SCREW.
- 2 CONNECTOR TO BE MATED; 175677,175751
- △ MATERIAL AND FINISH;
 - * CONTACT; PHOS-BRONZE
FIN.; AU PLATING OVER Ni UNDER PLATING ON CONTACT AREA.
TIN PLATING OVER Ni UNDER PLATING ON SOLDER TINE AREA.
 - * METAL SHELL; STEEL
FIN.; Ni PLATING OVER COPPER UNDER PLATING.
 - * DIECAST HOUSING; ZINC
FIN.; Ni PLATING OVER COPPER UNDER PLATING.
 - * HOUSING; THERMOPLASTIC, UL94V-0, BLACK
 - * RETENTION LEG; BRASS,
TIN PLATING WITH OVER NICKEL PLATING OVER ALL
- 4 RECOMMEND P.W.B THICKNESS; 1.6mm
- △ OBSOLETE

PANEL CUTOUT (THK; 2mm MAX.) FIG-2

0.00076	39	61.90	61.55	71.45	65.55	54.53	49.53	80	3-5917334-0	
	49	74.60	74.25	84.15	78.25	67.23	62.23	100	2-5917334-9	
	33	54.20	53.93	63.83	57.93	46.91	41.91	68	2-5917334-8	
	24	42.80	42.50	52.40	46.50	35.48	30.48	50	2-5917334-7	
	17	33.90	33.61	43.51	37.61	26.59	21.59	36	2-5917334-5	
	12	27.60	27.26	37.16	31.26	20.24	15.24	26	2-5917334-4	
	9	23.80	23.45	33.35	27.45	16.43	11.43	20	2-5917334-2	
	6	19.90	19.64	29.54	23.64	12.62	7.62	14	2-5917334-1	
	0.0003	39	61.90	61.55	71.45	65.55	54.53	49.53	80	1-5917334-0
		49	74.60	74.25	84.15	78.25	67.23	62.23	100	5917334-9
33		54.20	53.93	63.83	57.93	46.91	41.91	68	5917334-8	
24		42.80	42.50	52.40	46.50	35.48	30.48	50	5917334-7	
17		33.90	33.61	43.51	37.61	26.59	21.59	36	5917334-5	
12		27.60	27.26	37.16	31.26	20.24	15.24	26	5917334-4	
9		23.80	23.45	33.35	27.45	16.43	11.43	20	5917334-2	
6		19.90	19.64	29.54	23.64	12.62	7.62	14	5917334-1	
GOLD PLATING	N	F	E	D	C	B	A	POSN	PART NO.	



LEAD FREE

THIS DRAWING IS A CONTROLLED DOCUMENT.

DIMENSIONS: mm	TOLERANCES UNLESS OTHERWISE SPECIFIED:	DWN COREL WANG 01SEP04	TE Connectivity REC HEADER ASSY, VERTICAL W/RETENTION LEG CHAMP .050 SERIES (II) STD-TYPE (M2.6)
	0 PLC ± 0.2	CHK STEVEN YAO 01SEP04	
	1 PLC ± 0.2	APVD I.ENOMOTO 01SEP04	
	2 PLC ± 0.2	NAME	
	3 PLC ± 0.2	PRODUCT SPEC	108-5288
	4 PLC ± 0.2	APPLICATION SPEC	SIZE CAGE CODE DRAWING NO RESTRICTED TO
MATERIAL SEE NOTE 3	FINISH SEE NOTE 3	WEIGHT	A3 00779 C-5917334
CUSTOMER DRAWING			SCALE 2:1 SHEET 1 OF 1 REV R

X-ON Electronics

Largest Supplier of Electrical and Electronic Components

Click to view similar products for [I/O Connectors](#) category:

Click to view products by [TE Connectivity](#) manufacturer:

Other Similar products are found below :

[571763P](#) [58098-0628](#) [61-168618-12P](#) [D38999/20FJ24PA L/C](#) [D38999/20FJ29SB L/C](#) [D38999/24FG11SN L/C](#) [72.250.1628.2](#) [72.250.2428.2](#)
[74720-0505](#) [76.350.0729.0](#) [76871-1403](#) [FCN-244F080-G/1](#) [FCN-260A9920](#) [FCN-268D024-G/2F#10X-R10](#) [PCS-E50FA](#) [PCS-XE26LKA](#)
[PCS-XE26MA+](#) [PCS-XES68MS+](#) [G38A71314B](#) [91-569719-35R](#) [9776-18-6](#) [DX40-50P\(55\)](#) [1571250010](#) [157-22500-3](#) [MS3476W12-10S](#)
[L/C](#) [1888020-8](#) [91-569786-35H](#) [91-569786-35M](#) [91-644626-35P](#) [172501-4002](#) [172501-6002](#) [FCN-260C008-A/L0](#) [FCN-260C024-AL0](#)
[FCN-261Z008](#) [FCN-268D008-G/1K](#) [2000314-1](#) [200331-1](#) [2007498-2](#) [PCR-E28LMDAG1+](#) [PCR-E36FC+](#) [PCS-E28FS+](#) [PCS-XE26SLFD+](#)
[PCS-XE26SLFDT+](#) [G38A71214B](#) [HDRA-E68W1LFDTC-SL+](#) [HDR-E14MSG1+](#) [R88A-CNK81S](#) [CRT1-ATT02](#) [54182-0605](#)
[U90B2054081210](#)