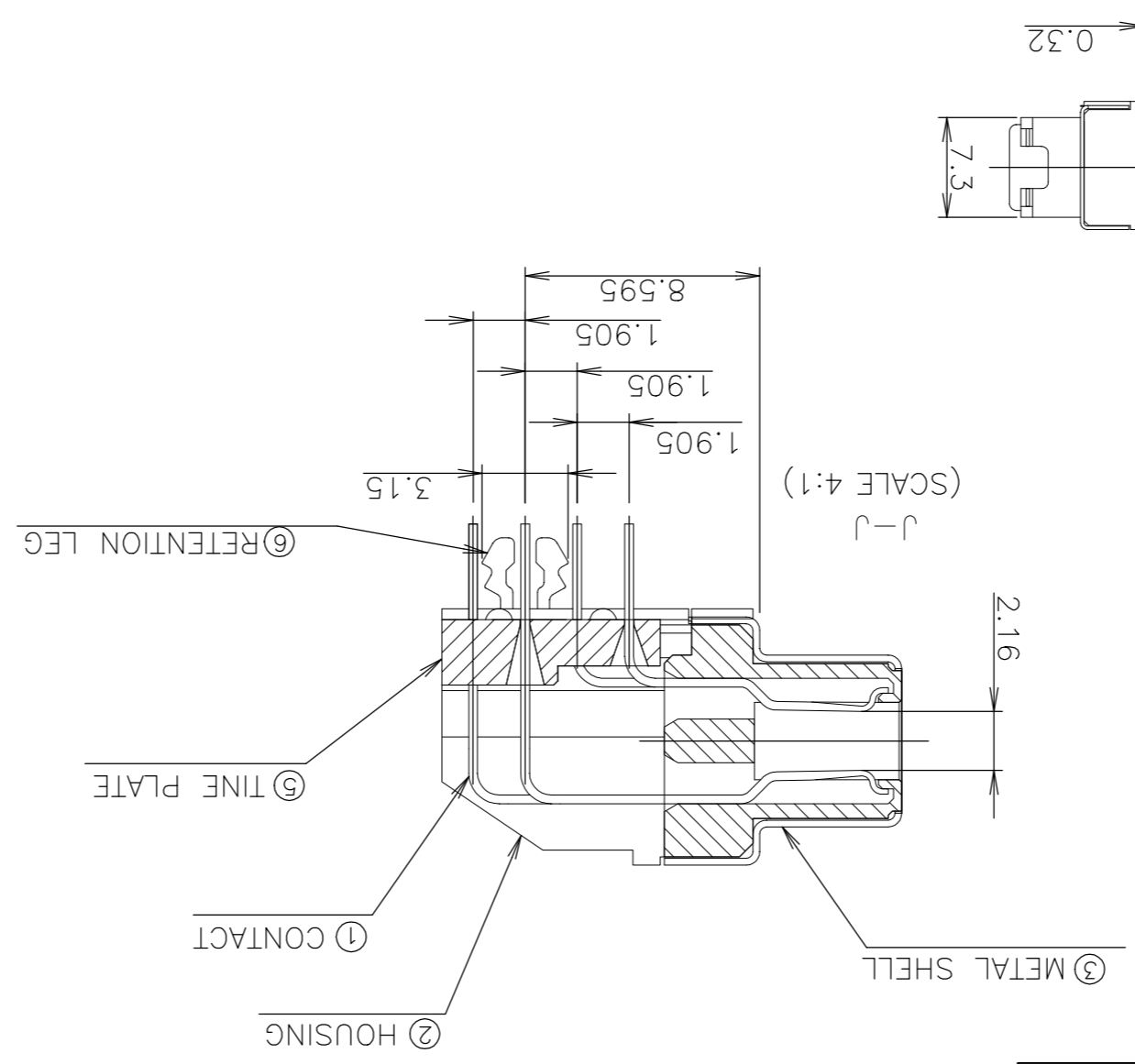
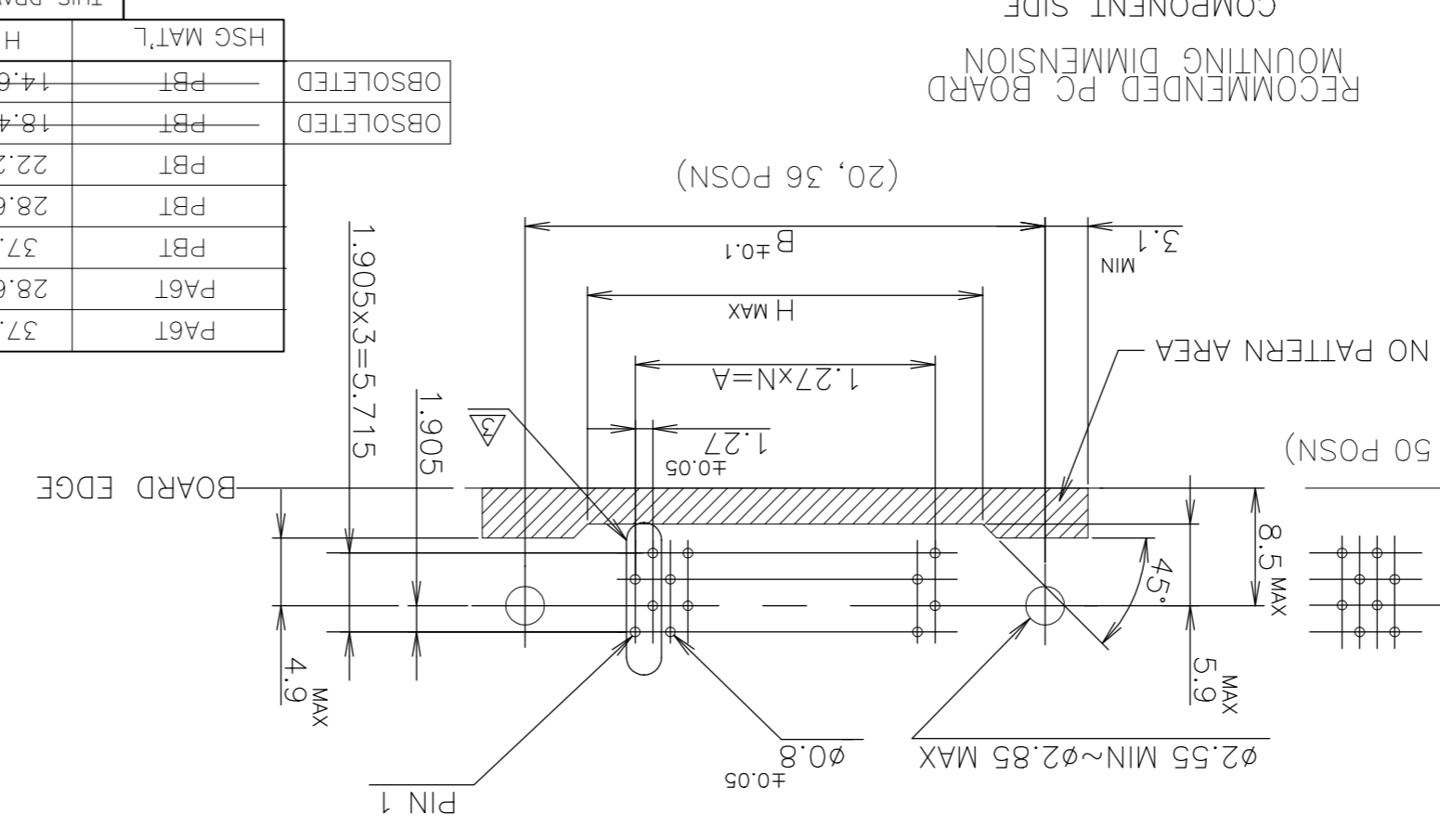


RECOMMENDED P.C BOARD MOUNTING DIMENSION



RECOMMENDED SCREW SIZE : M2.6 PANHEAD SCREW.(L=5)
 2 RECOMMENDED P.C BOARD THICKNESS : 1.6mm±0.15
 3 POST PATTERN AS SHOWN ON THIS END FOR ALL POSITION.

ITEM	(MATERIAL)	(FINISH)
①	COPPER ALLOY	NICKEL UNDER PLATE ALL OVER CONTACT AREA : Au(0.0001) SOLDER TINE AREA : TIN PLATE
②	PBT OR PA6T	COLOR : PBT BLACK PA6T NATURAL
③	STEEL THK0.25	NICKEL PLATE OVER COPPER UNDERPLATE
④	STAINLESS STEEL	
⑤	COPPER ALLOY	NICKEL UNDER PLATE ALL OVER. TIN PLATING ALL OVER.
⑥	STEEL	NICKEL PLATE OVER COPPER UNDERPLATE

LEAD FREE

THIS DRAWING IS A CONTROLLED DOCUMENT. DIMENSIONS: 单位: 毫米 TOLERANCES UNLESS OTHERWISE SPECIFIED:		MATERIAL: 材料 FINISH: 仕上げ ANGLE: 角度 0 PLG ± 0.2 1 PLG ± 0.2 2 PLG ± 0.2 3 PLG ± 0.2 4 PLG ± 0.2	
DWN LEO ZHOU CHK STEVEN YAO APVD LENO MOTO NAME 名称		PRODUCT SPEC: 製品規格 APPLICATION SPEC: 取付条件規格 WEIGHT: 重量	
CUSTOMER DRAWING SCALE 2:1 SHEET 1 of 1 REV R		DRAWING NO 5917738 CASE CODE 00779 CHAMP.050 SERIES (II) FMS-TYPE	

HSG MAT'L	PART NO.	POSITION	N	A	B	C	D	E	F	G	H
PA6T	1-5917738-7	50	24	30.48	46.50	35.48	42.50	52.40	42.8	10.3	37.5
PA6T	1-5917738-5	36	17	21.59	37.61	26.59	33.61	43.51	33.9	8.3	28.61
PA6T	5917738-7	50	24	30.48	46.50	35.48	42.50	52.40	42.8	10.3	37.5
PA6T	5917738-5	36	17	21.59	37.61	26.59	33.61	43.51	33.9	8.3	28.61
PA6T	5917738-4	26	12	15.24	31.26	20.24	27.26	37.16	27.6	8.3	22.26
PA6T	5917738-5	36	17	21.59	37.61	26.59	33.61	43.51	33.9	8.3	28.61
PA6T	5917738-2	20	9	11.43	27.45	16.43	23.45	33.35	23.8	8.3	18.45
PA6T	5917738-1	14	6	7.62	23.64	12.62	19.64	29.54	19.9	8.3	14.64

X-ON Electronics

Largest Supplier of Electrical and Electronic Components

Click to view similar products for [I/O Connectors](#) category:

Click to view products by [TE Connectivity](#) manufacturer:

Other Similar products are found below :

[571763P](#) [58098-0628](#) [61-168618-12P](#) [D38999/20FJ24PA L/C](#) [D38999/20FJ29SB L/C](#) [D38999/24FG11SN L/C](#) [72.250.1628.2](#) [72.250.2428.2](#)
[74720-0505](#) [76.350.0729.0](#) [76871-1403](#) [FCN-244F080-G/1](#) [FCN-260A9920](#) [FCN-268D024-G/2F#10X-R10](#) [PCS-E50FA](#) [PCS-XE26LKA](#)
[PCS-XE26MA+](#) [PCS-XES68MS+](#) [G38A71314B](#) [91-569719-35R](#) [9776-18-6](#) [DX40-50P\(55\)](#) [1571250010](#) [157-22500-3](#) [MS3476W12-10S](#)
[L/C](#) [1888020-8](#) [91-569786-35H](#) [91-569786-35M](#) [91-644626-35P](#) [172501-4002](#) [172501-6002](#) [FCN-260C008-A/L0](#) [FCN-260C024-AL0](#)
[FCN-261Z008](#) [FCN-268D008-G/1K](#) [2000314-1](#) [200331-1](#) [2007498-2](#) [PCR-E28LMDAG1+](#) [PCR-E36FC+](#) [PCS-E28FS+](#) [PCS-XE26SLFD+](#)
[PCS-XE26SLFDT+](#) [G38A71214B](#) [HDRA-E68W1LFDTC-SL+](#) [HDR-E14MSG1+](#) [R88A-CNK81S](#) [CRT1-ATT02](#) [54182-0605](#)
[U90B2054081210](#)