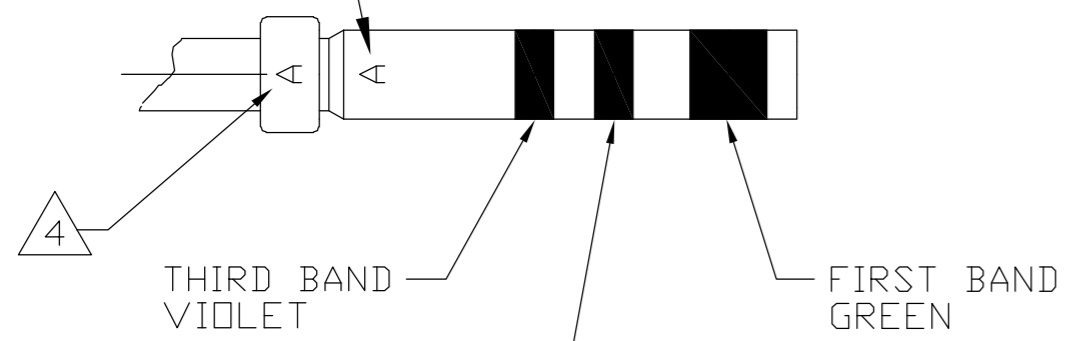


THIS DRAWING IS UNPUBLISHED. RELEASED FOR PUBLICATION  
 © COPYRIGHT BY TYCO ELECTRONICS CORPORATION. ALL RIGHTS RESERVED.

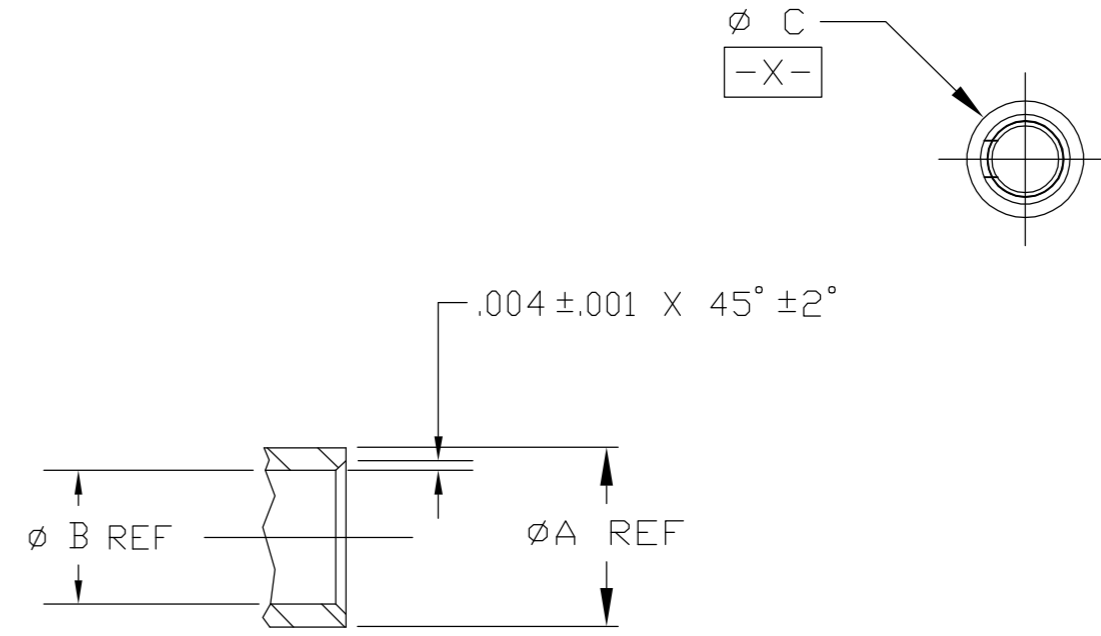
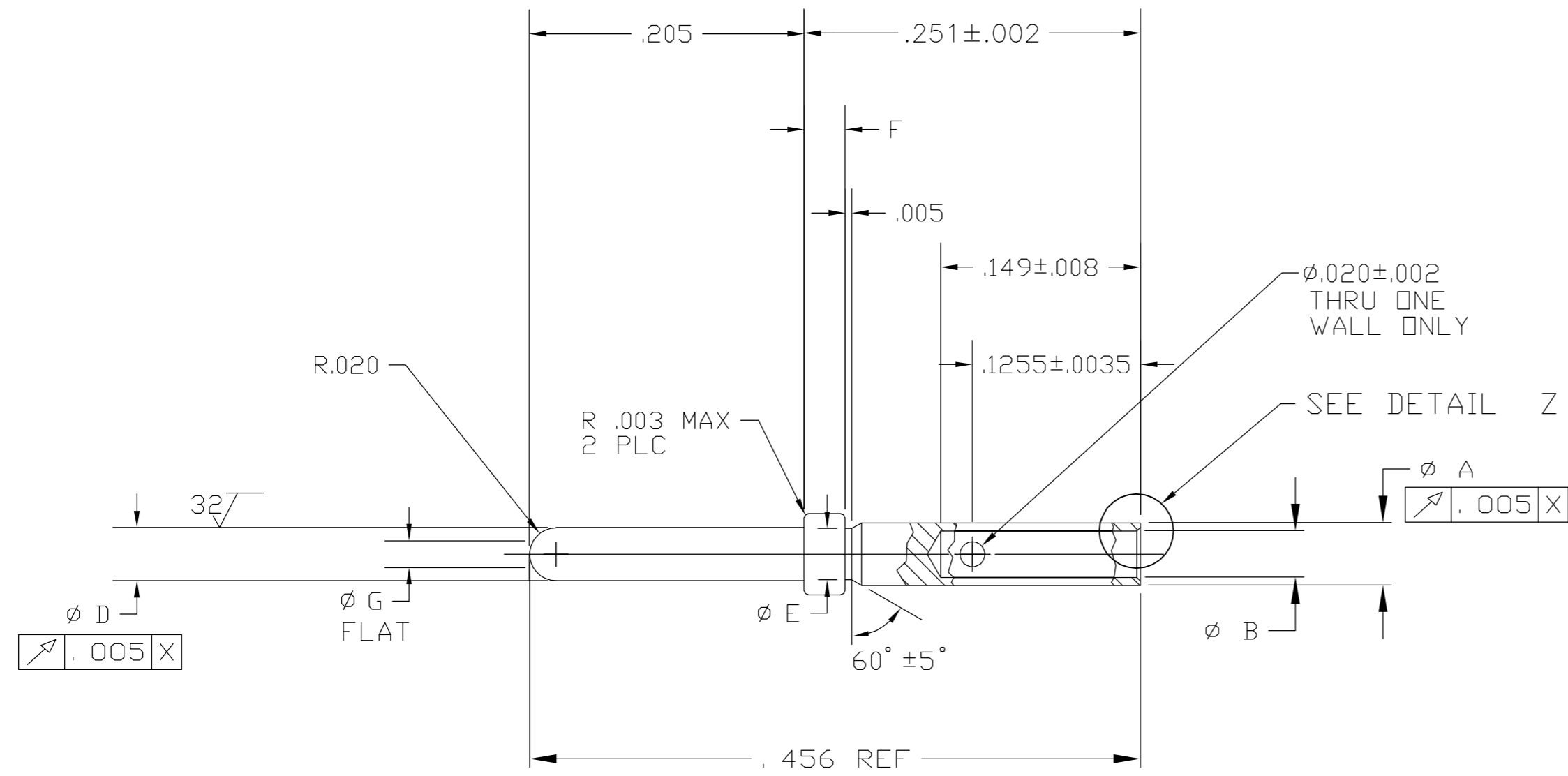
LOC		DIST		REVISIONS			
P	LTR	DATE	DWN	APVD			
D		22JAN07	PY	DE	REV PER ECD-07-000495		

OPTIONAL LOCATION



BAND IDENTIFICATION  $\triangle 3$

- $\triangle 1$  FINISH: GOLD PLATE PER ASTM-B-488, TYPE I, GRADE C .000050-.000100 THK OVER NICKEL QQ-N-290, MATTE FINISH, .000050-.000150 THK.
- $\triangle 2$  MATERIAL: LEADED NICKEL COPPER ALLOY NO. 7021 CONDITION TH06.
- $\triangle 3$  CONTACT SHALL BE COLOR CODED WITH 3 BANDS IN APPROXIMATE LOCATION SHOWN.
- $\triangle 4$  GOTHIC "A" .016±.002 HIGH STAMPED .001/.002 DEEP.



DETAIL Z  
SCALE: NTS

.005/.020	.029/.033	.036/.041	.039/.041	.060/.062	.0335/.0355	.046/.048	$\triangle 1$	$\triangle 2$	M39029/1-507	592413-1
DIM. G	DIM. F	DIM. E	DIM. D	DIM. C	DIM. B	DIM. A	FINISH	MATERIAL	MILITARY PART NO.	PART NO.

THIS DRAWING IS A CONTROLLED DOCUMENT.

DWN	19MAR04	 Tyco Electronics Corporation Harrisburg, Pa 17105-3608
CHK	3/22/04	
APVD	3/22/04	
NAME		
DIMENSIONS: INCHES TOLERANCES UNLESS OTHERWISE SPECIFIED: 0 PLC ± - 1 PLC ± - 2 PLC ± - 3 PLC ± .005 4 PLC ± - ANGLES ± 0°30' FINISH -		PRODUCT SPEC APPLICATION SPEC WEIGHT - CUSTOMER DRAWING
MATERIAL SEE TABLE		NAME: PIN CONTACT, SIZE 21/22HD, TJ SIZE: A2 CAGE CODE: 00779 DRAWING NO: C-592413 RESTRICTED TO: - SCALE: 10:1 SHEET 1 OF 1 REV D

## **X-ON Electronics**

Largest Supplier of Electrical and Electronic Components

*Click to view similar products for [Junction System Contacts](#) category:*

*Click to view products by [TE Connectivity](#) manufacturer:*

Other Similar products are found below :

[YHMM16-1F50](#) [YHMM22-2DB8](#) [CNS126900](#) [YHMME12-2DB8](#) [1689303-1](#) [CNS115900](#) [YHMM20-2DB8](#) [1-592404-1](#) [2-592404-1](#)