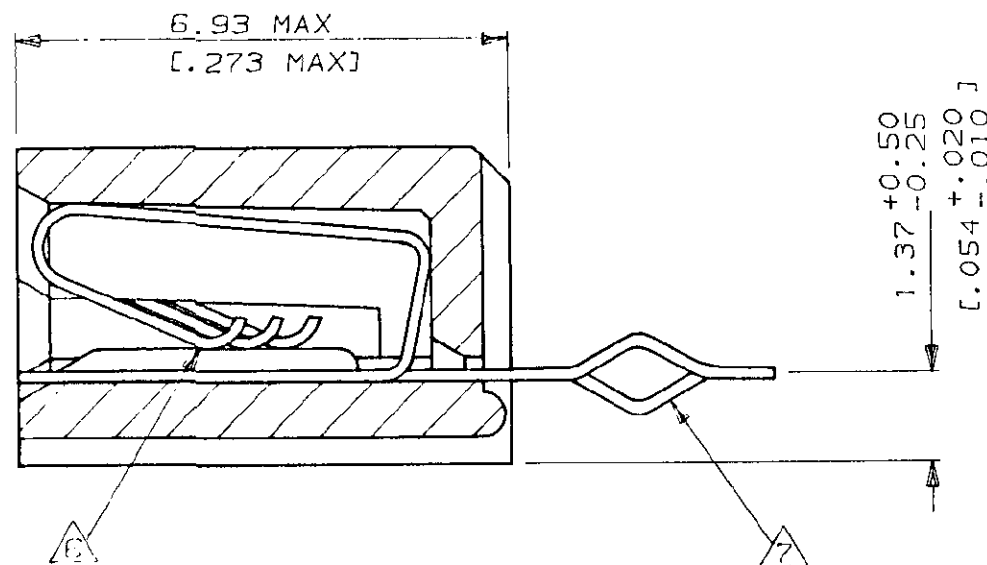
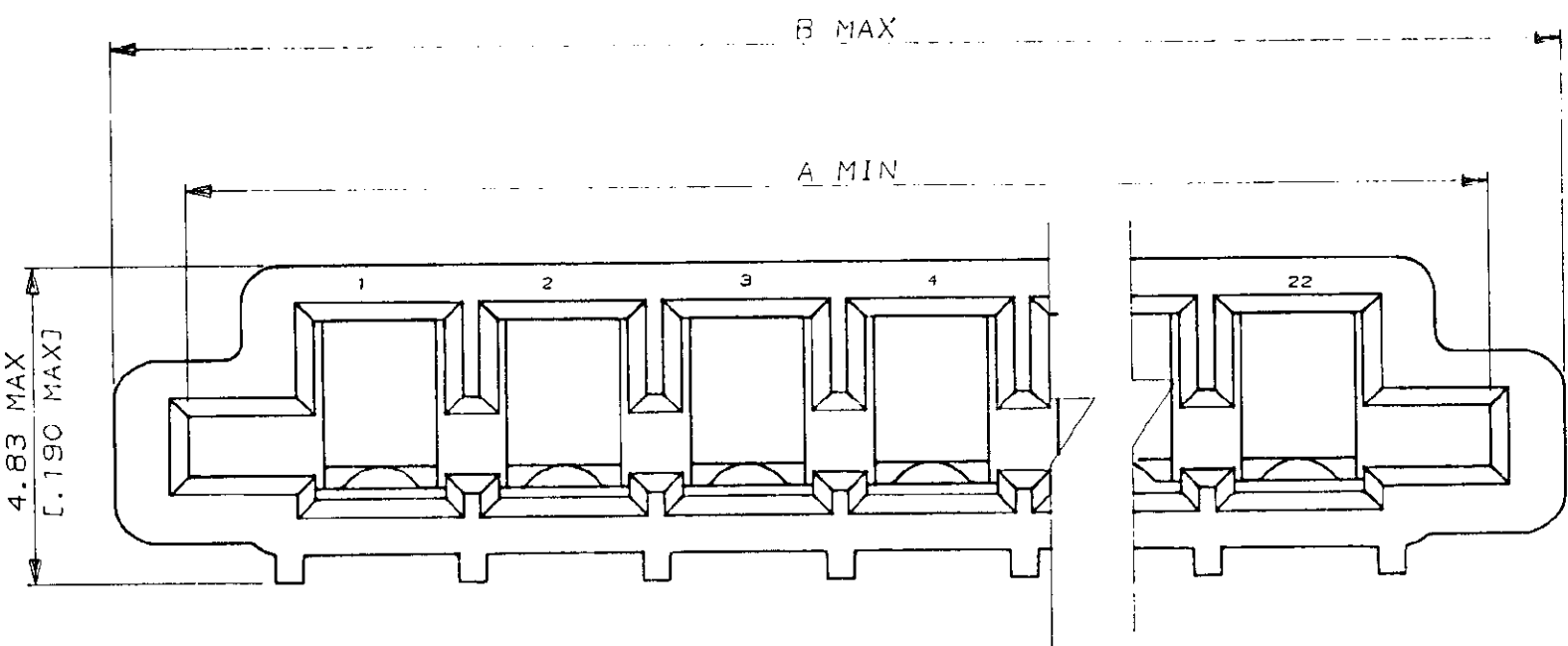


520315

NUMBER

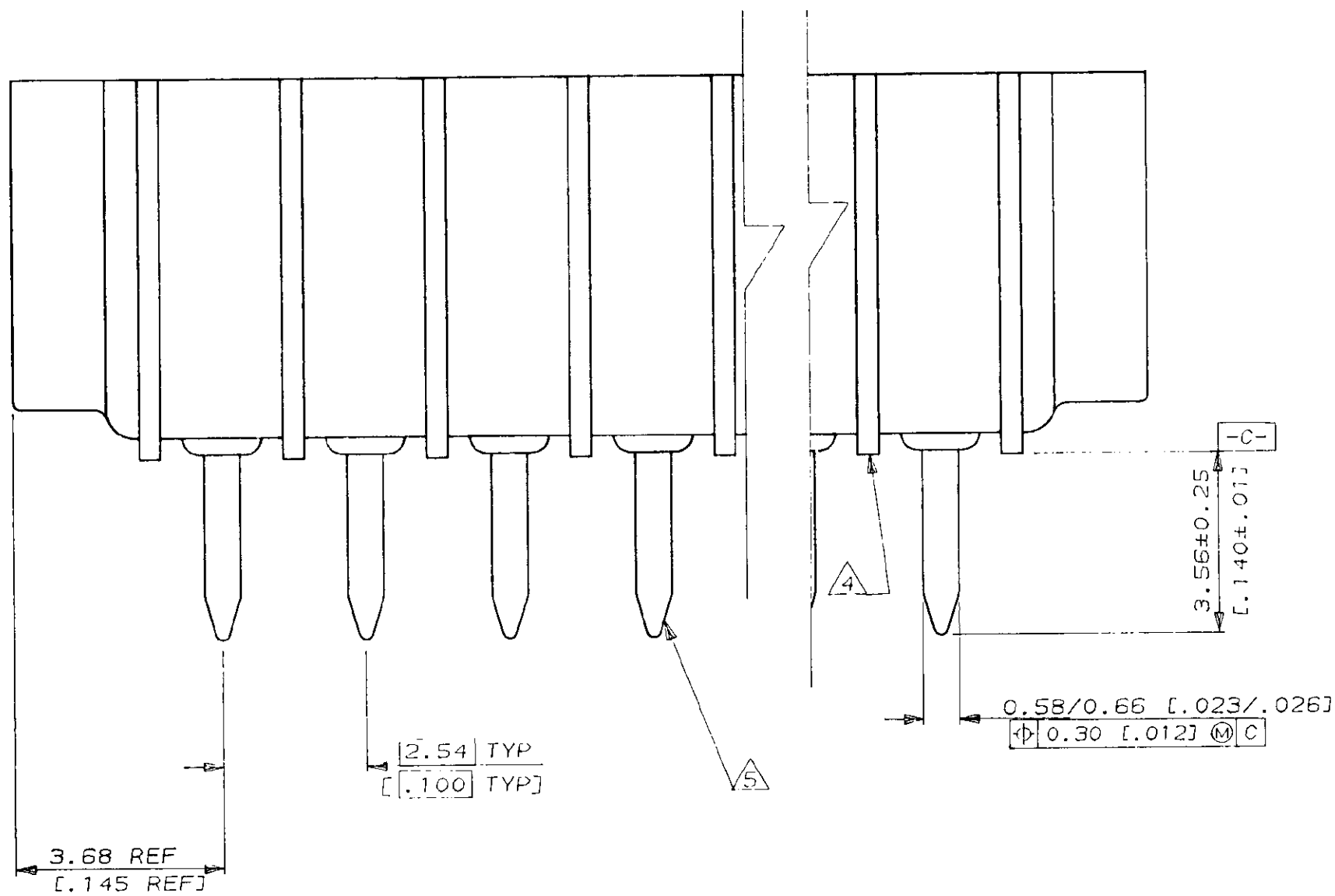
(3° ANGLE PROJECTION)

METRIC



NOTES

- △ MATERIAL  
HOUSING : GLASS REINFORCED POLYESTER  
THERMOPLASTIC UL 94 V0 RATED, BLACK  
CONTACT : PHOS BRONZE
- △ CONTACTS, MATTE TIN PLATED
- 3 CONNECTOR WILL ACCEPT FLEXIBLE PRINTED CIRCUIT OR FLAT FLEXIBLE CABLE ON 2.54 [1.00] CENTERS IN A THICKNESS RANGE OF 0.127 TO 0.381 [0.005 TO .015] IN CONTACT AREA
- △ STAND-OFFS PREVENT SOLVENT ENTRAPMENT
- △ LEAD-IN ON PINS FOR EASE OF INSERTION INTO BOARD
- △ SEQUENTIAL CONTACTS REDUCE CABLE INSERTION FORCE
- △ ALTERNATING CONTACT FORM RETAINS CONNECTOR IN P.C. BOARD DURING SOLDER OPERATION
- 8 ACCEPTS CABLE OR CIRCUITRY WITH EXPOSED CONDUCTORS FACING TOWARD OR AWAY FROM THE BOARD SURFACE
- 9 REFER TO APPLICATION SPEC 114-2062
- △ OBSOLETE PARTS: OBSOLETE CIS STREAMLINING PER D.RENAUD/D.SINISI



| LEAD FREE |                       |               |               |     | SUPERSEDED |   |
|-----------|-----------------------|---------------|---------------|-----|------------|---|
| STATUS    | PART NO               | B             | A             | POS | PART NO    |   |
| OBSOLETE  | <del>7-520315-2</del> | 60.78 [2.393] | 58.62 [2.308] | 22  | 2-520315-2 | X |
| OBSOLETE  | <del>7-520315-1</del> | 58.24 [2.293] | 56.08 [2.208] | 21  | 2-520315-1 |   |
|           | 7-520315-0            | 55.70 [2.193] | 53.54 [2.108] | 20  | 2-520315-0 |   |
|           | 6-520315-9            | 53.16 [2.093] | 51.00 [2.008] | 19  | 1-520315-9 |   |
| OBSOLETE  | <del>6-520315-8</del> | 50.62 [1.993] | 48.46 [1.908] | 18  | 1-520315-8 |   |
| OBSOLETE  | <del>6-520315-7</del> | 48.08 [1.893] | 45.92 [1.808] | 17  | 1-520315-7 |   |
|           | 6-520315-6            | 45.54 [1.793] | 43.38 [1.708] | 16  | 1-520315-6 |   |
|           | 6-520315-5            | 43.00 [1.693] | 40.84 [1.608] | 15  | 1-520315-5 |   |
|           | 6-520315-4            | 40.46 [1.593] | 38.30 [1.508] | 14  | 1-520315-4 |   |
|           | 6-520315-3            | 37.92 [1.493] | 35.76 [1.408] | 13  | 1-520315-3 |   |
|           | 6-520315-2            | 35.38 [1.393] | 33.22 [1.308] | 12  | 1-520315-2 |   |
|           | 6-520315-1            | 32.84 [1.293] | 30.68 [1.208] | 11  | 1-520315-1 |   |
|           | 6-520315-0            | 30.30 [1.193] | 28.14 [1.108] | 10  | 1-520315-0 |   |
|           | 5-520315-9            | 27.76 [1.093] | 25.60 [1.008] | 9   | 520315-9   |   |
|           | 5-520315-8            | 25.22 [.993]  | 23.06 [.908]  | 8   | 520315-8   |   |
|           | 5-520315-7            | 22.68 [.893]  | 20.52 [.808]  | 7   | 520315-7   |   |
|           | 5-520315-6            | 20.14 [.793]  | 17.98 [.708]  | 6   | 520315-6   |   |
|           | 5-520315-5            | 17.60 [.693]  | 15.44 [.608]  | 5   | 520315-5   |   |
|           | 5-520315-4            | 15.06 [.593]  | 12.90 [.508]  | 4   | 520315-4   |   |
|           | 5-520315-3            | 12.52 [.493]  | 10.36 [.408]  | 3   | 520315-3   |   |
|           | 5-520315-2            | 9.98 [.393]   | 7.82 [.308]   | 2   | 520315-2   |   |

|         |                       |     |     |          |                      |
|---------|-----------------------|-----|-----|----------|----------------------|
| PART NO |                       | B   | A   | POS      | PART NO              |
| U4      | ECR-10-022530         | KK  | HMR | 10FEB11  | Copyright ©1993      |
| U3      | REV PER ECO-10-000445 | KK  | AEG | 12JAN10  | Copyright ©1993      |
| U2      | REVISED ECR-06-004332 | PM  | KS  | 21FEB06  | TE MFG (S) PTE LTD.  |
| U1      | REVISED FR00-0002-05  | SD  | PCH | 22DEC034 | ALL RIGHTS RESERVED. |
| U       | REVISED FR00-0011-04  | SD  | PCH | 09FEB04  | (WIRE RANGE)         |
| T       | REVISED DY/EC/0799    | LWY | SL  | 18.7.03  | (INSULATION DIA.)    |
| S       | REDRAHN DY/EC/0682    | RT  | LHR | 12.4.83  | (NAME)               |
| LTR     | (REVISION RECORD)     | DR  | CHK | DATE     | TRIO-MATE            |



VERTICAL CABLE ENTRY  
FOR 1.57 [0.062] THK P.C. BOARD

SIZE LOC (NO.)  
A2 DY 520315

(SCALE) REV. SHEET  
10:1 U4 1 OF 1

(CUSTOMER DRAWING)

DIMENSIONS IN MM (INCHES). DO NOT SCALE PRINT

PRINT DIST

## X-ON Electronics

Largest Supplier of Electrical and Electronic Components

*Click to view similar products for [FFC & FPC Connectors](#) category:*

*Click to view products by [TE Connectivity](#) manufacturer:*

Other Similar products are found below :

[HFW11R-1STE1H1LF](#) [FH29B-100S-0.2SHW\(99\)](#) [FA5S008HP1](#) [FH29B-120S-0.2SHW\(99\)](#) [FH29B-80S-0.2SHW\(99\)](#) [FHS-16](#) [FPH-2022G](#)  
[52610-1075](#) [52610-1275](#) [52610-1934](#) [XF3M\(1\)-1415-1B-R100](#) [501864-3091-TR225](#) [0525594033](#) [086210010340800](#) [086222026001800](#)  
[52271-2869-CUT-TAPE](#) [62674-201121DLF](#) [62684-36210E9ALF](#) [52610-1675](#) [52746-1671-TR250](#) [10051922-2810EHLF](#) [6-520415-9](#)  
[BD021-09A-A1-0350-0200-0550-LD](#) [SFV6R-1STE9HLF](#) [XF3M-2915-1B-R100](#) [1658549-1](#) [62674-221121ALF](#) [46214008010800](#)  
[046298003000883](#) [151660622](#) [842-816-2630-035](#) [AYF530665TA](#) [AYF351525](#) [046296011930846+](#) [AYF352325A](#) [046254020000800+](#)  
[FH19C-13S-0.5SH\(99\)](#) [FH39J-51S-0.3SHW\(99\)](#) [AYF355125A](#) [AYF530365TA](#) [FH29B-44S-0.2SHW\(99\)](#) [SFW5R-2STAE9LF](#) [AYF351125A](#)  
[AYF350725A](#) [62684-502100AHLF](#) [FH39-61S-0.3SHW\(99\)](#) [AYF414035A](#) [10064555-172520HLF](#) [AYF212335A](#) [504754-2500](#)