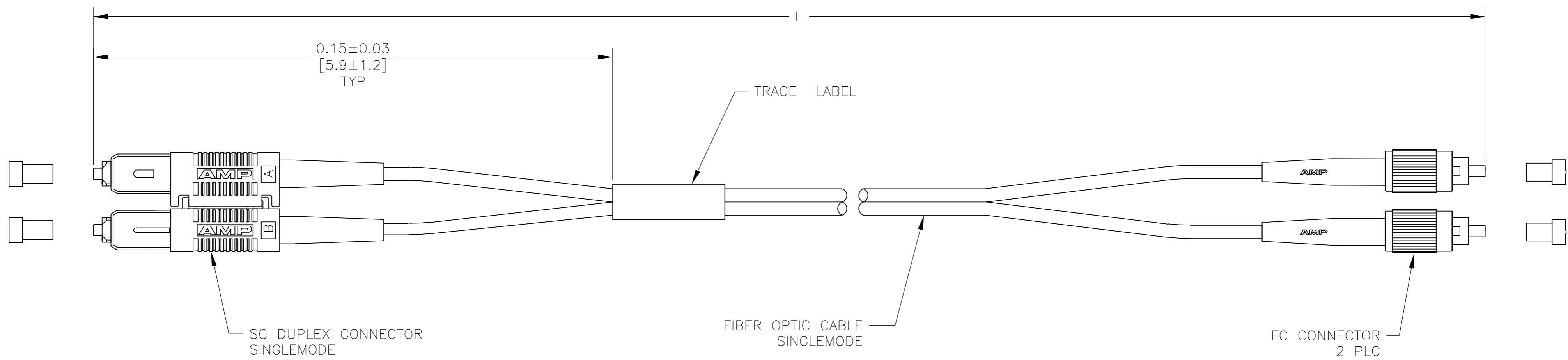


THIS DRAWING IS UNPUBLISHED. RELEASED FOR PUBLICATION  
 © COPYRIGHT - By - ALL RIGHTS RESERVED.

LOC	DIST	REVISIONS					
HG	-	P	LTR	DESCRIPTION	DATE	DWN	APVD
		A1			ADD DASH 4-0, 5-0	25NOV11	SW

- 1. MAXIMUM INSERTION LOSS IS 0.5dB PLUS CABLE ATTENUATION OF 0.7dB/km AT 1310nm (SEE TABLE)
- 2. MINIMUM RETURN LOSS IS 55dB AT 1310nm
- 3. PRODUCT AND PROCESSING MUST MEET REQUIREMENTS OF TE STANDARD TEC-138-702



MAX IL (dB)	L METERS [INCHES]	PART NUMBER
0.54	60±0.6 [2362±24]	6-5492021-0
0.54	50±0.5 [1969±20]	5-5492021-0
0.53	45.00±0.45 [1772.0±18.0]	4-5492021-5
0.53	40±0.4 [1575.0±16.0]	4-5492021-0
0.52	30.50±0.30 [1200.0±12.0]	1-5492021-2
0.51	9.14±0.15 [360.0±6.0]	1-5492021-1
0.50	7.31±0.08 [288.0±3.0]	1-5492021-0
0.57	95.0±0.95 [3740.1±37.4]	5492021-9
0.50	0.30±0.03 [12.0±1.0]	5492021-8
0.51	20±0.3 [787±12]	5492021-7
0.51	15±0.15 [591±6]	5492021-6
0.51	10±0.15 [394±6]	5492021-5
0.50	5±0.08 [197±3]	5492021-4
0.50	3±0.05 [118±2]	5492021-3
0.50	2±0.05 [79±2]	5492021-2
0.50	1±0.05 [39±2]	5492021-1

THIS DRAWING IS A CONTROLLED DOCUMENT.

DWN	C.S.VASU	02 JAN 06
CHK	J.DUNCAN	02 JAN 06
APVD	J.DUNCAN	02 JAN 06
PRODUCT SPEC		
APPLICATION SPEC		
WEIGHT	-	
CUSTOMER DRAWING		

**TE** TE Connectivity

CABLE ASSEMBLY, FIBER OPTIC, SINGLEMODE LDD, AMP SC DUPLEX (NG) TO FC (NG), OPTIMATE

SIZE	A2	CAGE CODE	00779	DRAWING NO	C=5492021	RESTRICTED TO	-
SCALE	NTS	SHEET	1 OF 1	REV	A1		

5492021

## X-ON Electronics

Largest Supplier of Electrical and Electronic Components

*Click to view similar products for [Fiber Optic Cable Assemblies](#) category:*

*Click to view products by [TE Connectivity](#) manufacturer:*

Other Similar products are found below :

[7-21002-9](#) [760-1518](#) [FA04390-50-M-72-LC-N](#) [MLB 501 V RED](#) [MLB 501 V YELLOW](#) [8-21000-7](#) [8-21084-1](#) [FXE3-10BM15](#) [FXE3-10FM5](#) [FZB3-NM1](#) [1-3636-600-5208](#) [1-5018030-0](#) [ICD040GVP163D-07](#) [2901797](#) [1-6693182-0](#) [1754898-1](#) [F512D5-5F23Y](#) [F912B10-NM2](#) [FAP12WFDBDBDLCZ](#) [21055-6](#) [FXBSCSCE2LM002](#) [FXE3-10AM10](#) [FXE3-10AM20](#) [FXE3-10BM7](#) [FXE3-10FM15](#) [FXE3-10FM3](#) [FXE3-10FM4](#) [FXE3-10FM7](#) [FXE3-10GM3](#) [FZE10-10M6](#) [FZOPE10-10M5](#) [3000005](#) [3-21053-2](#) [MLB 200/1 V BLACK](#) [MLB 2001 V YELLOW](#) [MLB 501 V BLACK](#) [5492011-6](#) [106284-7000](#) [5492011-5](#) [5492011-8](#) [5492011-9](#) [CF-901201-007](#) [7-21000-4](#) [8-21007-5](#) [8-21084-0](#) [3-5106081-0](#) [106386-4447](#) [2-2064140-6](#) [F92ELLNSNSNM003](#) [2-2064140-3](#)