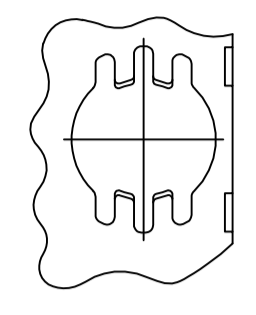
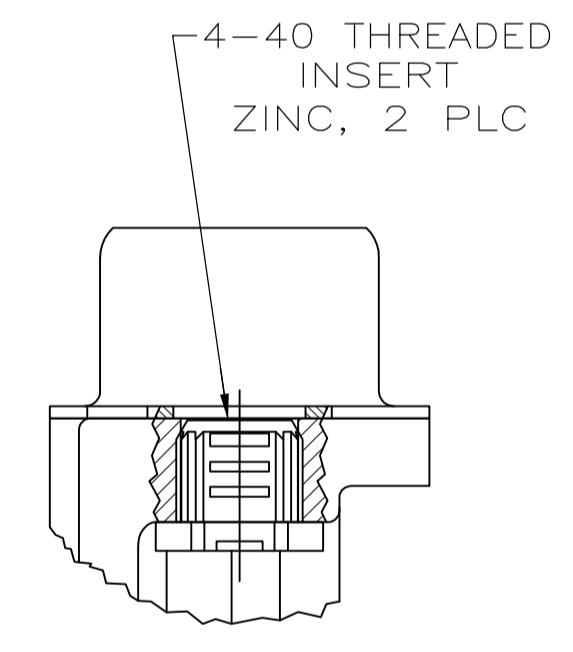
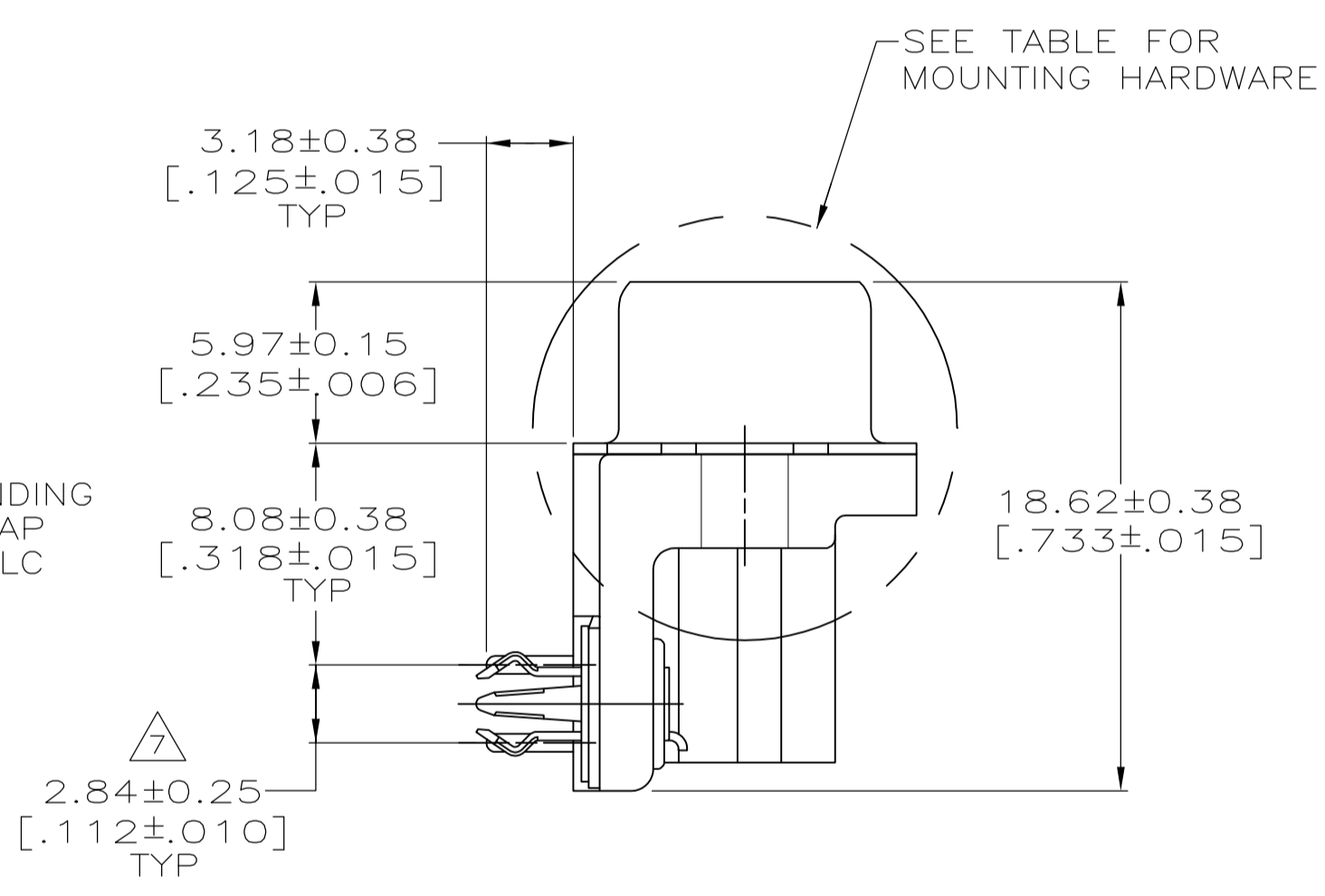
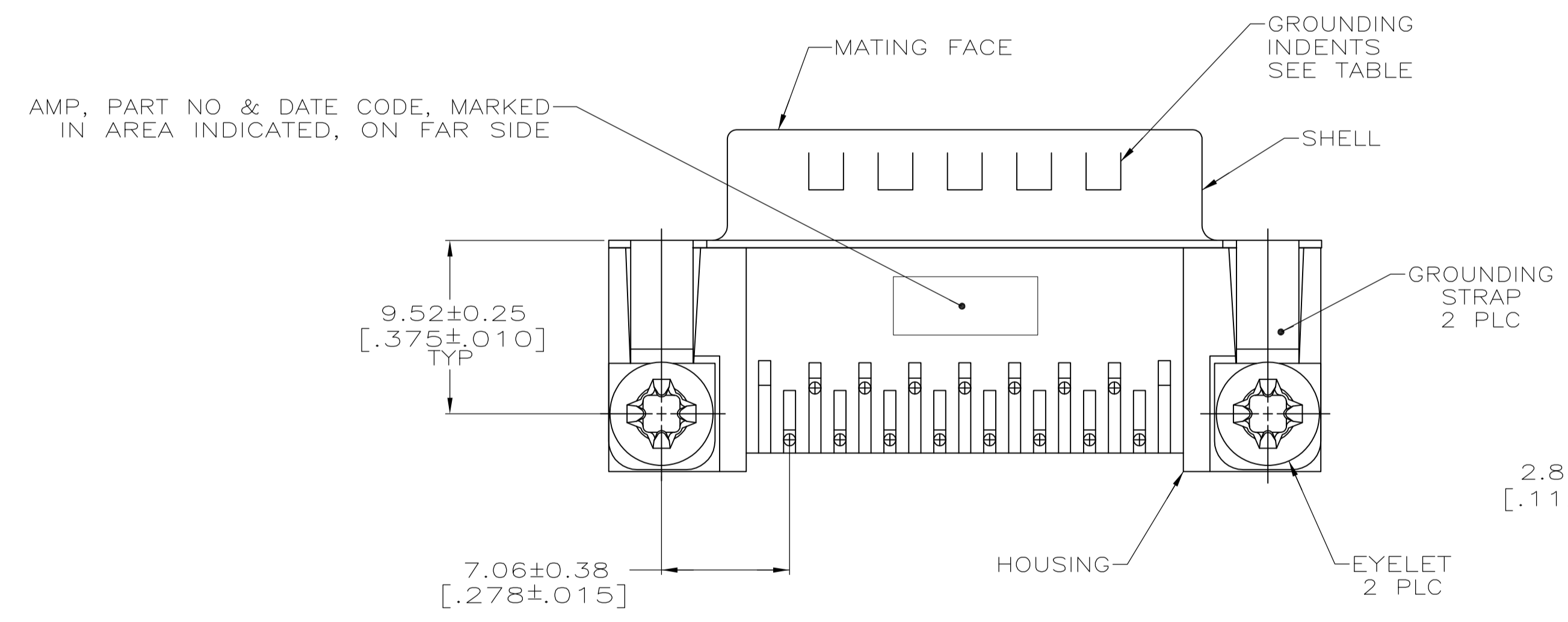
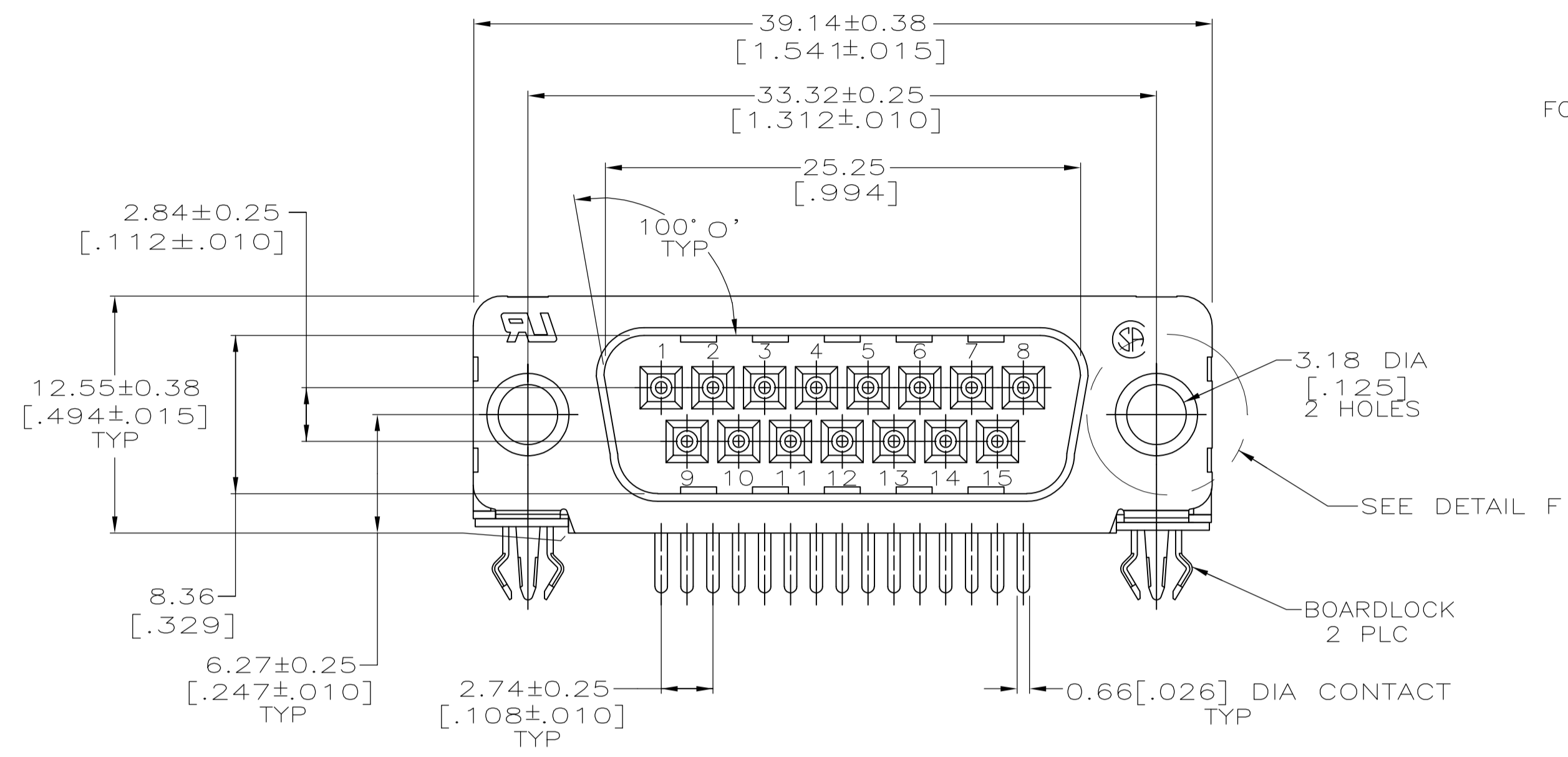


- △ HOUSING: NYLON OR POLYESTER, FLAME RETARDANT 94V-0 RATED, GLASS FILLED, BLACK
- SHELLS: CARBON STEEL
- CONTACTS: BRASS
- BOARDLOCKS: COPPER ALLOY
- EYELETS: BRASS
- △ SHELLS: 2.54μm [.000100] MIN TIN OVER 1.27μm [.000050] MIN COPPER.
- EYELETS: 5.08μm [.000200] MIN TIN OVER COPPER FLASH.
- CONTACTS AND BOARDLOCKS: SEE TABLE.
- INSERTS AND SCREWLOCKS: CLEAR CHROMATE.
- △ GOLD FLASH ON THE MATING SURFACES, 2.54μm [.000100] MIN TIN OR TIN-LEAD PLATE ON THE SOLDER END, 1.27μm [.000050] MIN NICKEL UNDERPLATE ON THE ENTIRE CONTACT.
- △ 0.76μm [.000030] MIN GOLD PLATE ON THE MATING SURFACES, 2.54μm [.000100] MIN TIN OR TIN-LEAD PLATE ON THE SOLDER END, 1.27μm [.000050] MIN NICKEL UNDERPLATE ON THE ENTIRE CONTACT
- OR-
- GOLD FLASH OVER PALLADIUM-NICKEL PLATE, 0.76μm [.000030] MIN TOTAL ON THE MATING SURFACES, 2.54μm [.000100] MIN TIN OR TIN-LEAD PLATE ON THE SOLDER END, 1.27μm [.000050] MIN NICKEL UNDERPLATE ON THE ENTIRE CONTACT.
- △ 5.08μm [.000200] MIN TIN-LEAD OVER 1.27μm [.000050] MIN NICKEL.
- △ 5.08μm [.000200] MIN TIN OVER 1.27μm [.000050] MIN NICKEL.
- △ DIMENSION APPLIES FROM CENTER OF CONTACTS.
- △ SUPERSEDED BY 747841-2.
- △ SUPERSEDED BY 747841-6.
- △ OBSOLETE.

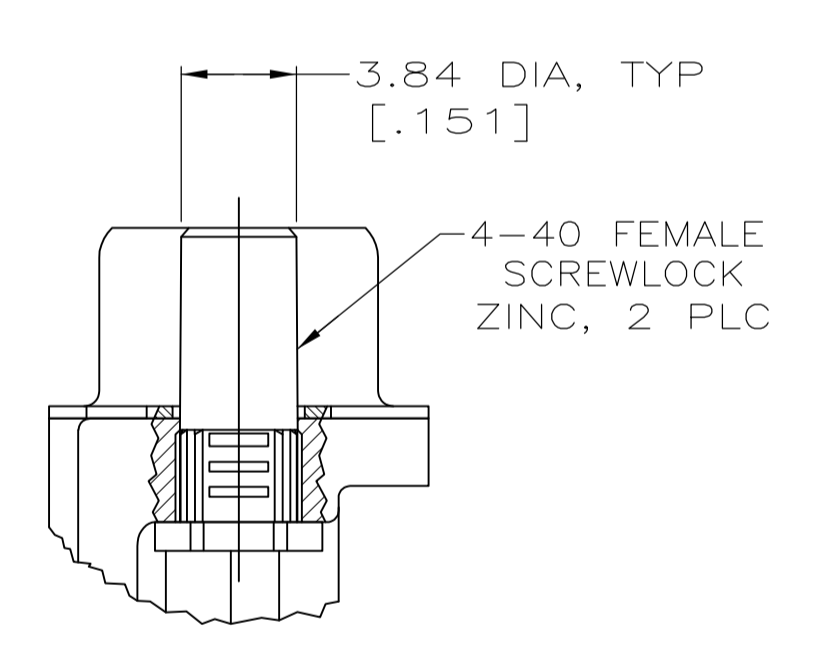


FOR -5 AND -6 ONLY

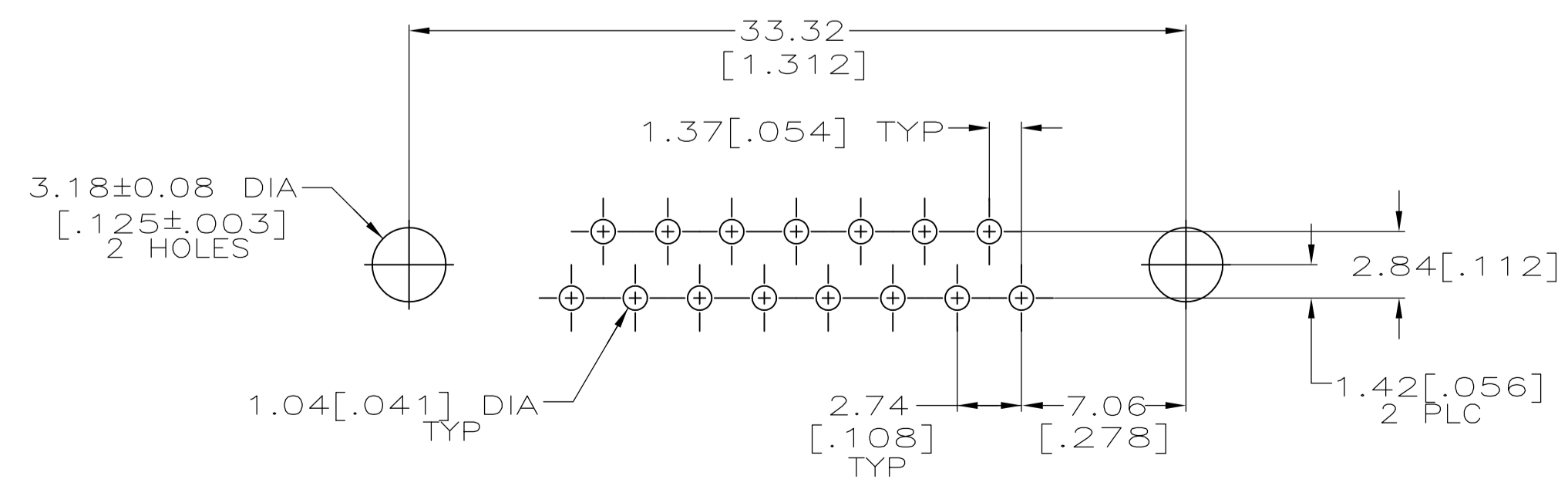
DETAIL F
2 PLC



DETAIL D



DETAIL E



P.C. BOARD MOUNTING DIMENSIONS
P.C. BOARD THICKNESS: 1.57[.062]

YES	SEE DETAIL E	△6	△4	6-747841-8
YES	SEE DETAIL D	△6	△4	6-747841-7
NO	-	△5	△4	△10 747841-7
YES	SEE DETAIL E	△5	△4	747841-6
YES	SEE DETAIL E	△5	△3	△9 747841-5
YES	SEE DETAIL D	△5	△4	747841-4
YES	SEE DETAIL D	△5	△3	△10 747841-3
YES	-	△5	△4	△10 747841-2
YES	-	△5	△3	△8 747841-1
GROUNDING INDENTS	MOUNTING HARDWARE	BOARDLOCK FINISH	CONTACT FINISH	PART NUMBER

THIS DRAWING IS A CONTROLLED DOCUMENT. DIMENSIONING AND TOLERANCING PER ASME Y14.5M-2009.

DIMENSIONS: mm [INCHES]	TOLERANCES UNLESS OTHERWISE SPECIFIED:	APPROVED: W.G. LENKER 05 OCT 89	REVISED: R. STONE 05 FEB 90	NAME: M.D. GALLOWAY 06 FEB 90
0 PLC ± -	1 PLC ± -	2 PLC ± -	3 PLC ± 0.13[.005]	4 PLC ± -
ANGLES ± ° 0'				

MATERIAL: △ FINISH: △

STE TE Connectivity

PLUG ASSEMBLY, SIZE 2, 15 POSITION, RIGHT ANGLE, FRONT METAL SHELL, .318 SERIES, BOARDLOCKS, AMPLIMITE® HD-20

108-40025 APPLICATION SPEC

114-40010 SIZE

00779 C=747841 WEIGHT

CUSTOMER DRAWING SCALE: 4:1 SHEET 1 OF 1 REV V

X-ON Electronics

Largest Supplier of Electrical and Electronic Components

Click to view similar products for [D-Sub Standard Connectors](#) category:

Click to view products by [TE Connectivity](#) manufacturer:

Other Similar products are found below :

[DCM37S732N](#) [DAM15P500](#) [DEV09S364GTLF](#) [DEM09P032N](#) [DDM50P732N](#) [DAM15S332N](#) [173109-2218](#) [173109-2466](#) [173109-2436](#)
[173109-2435](#) [56F706-005-LI](#) [56F711-015](#) [015-0341-000](#) [015-0372-008](#) [015-8544-011](#) [017041-0005](#) [020419-0104](#) [012-0515-000](#) [012-9507-](#)
[034](#) [012-9507-114](#) [012-9534-001](#) [020745-0008](#) [609-25P](#) [M24308/2-23Z](#) [M243082310F](#) [M243082410F](#) [M243082411F](#) [M24308/4-21](#)
[CT1A18-11PSA206](#) [CT1N36-5SC](#) [CT2-16S-17PS](#) [CT2-20-15PCAU](#) [CT2-24-12PS](#) [CT2-24-28PSF127A206](#) [CT2-32-9PC](#) [CT6F9767-14-4-](#)
[14S-5PC](#) [CT6FA10SL-4PS](#) [CT7-18-10SC](#) [CT7-18-10SCAU](#) [CT7-18-12SCAU](#) [CT7-18-1PC](#) [CT7-18-1PCAU](#) [CT7-18-21SCAU](#) [M83513/01-](#)
[FC](#) [M83723/76W24619 L/C](#) [M85049/48-3-2F](#) [69001-865](#) [6STD09PCM99B70X](#) [6STD09SCM99B30X](#) [6STD09SCT99S40X](#)