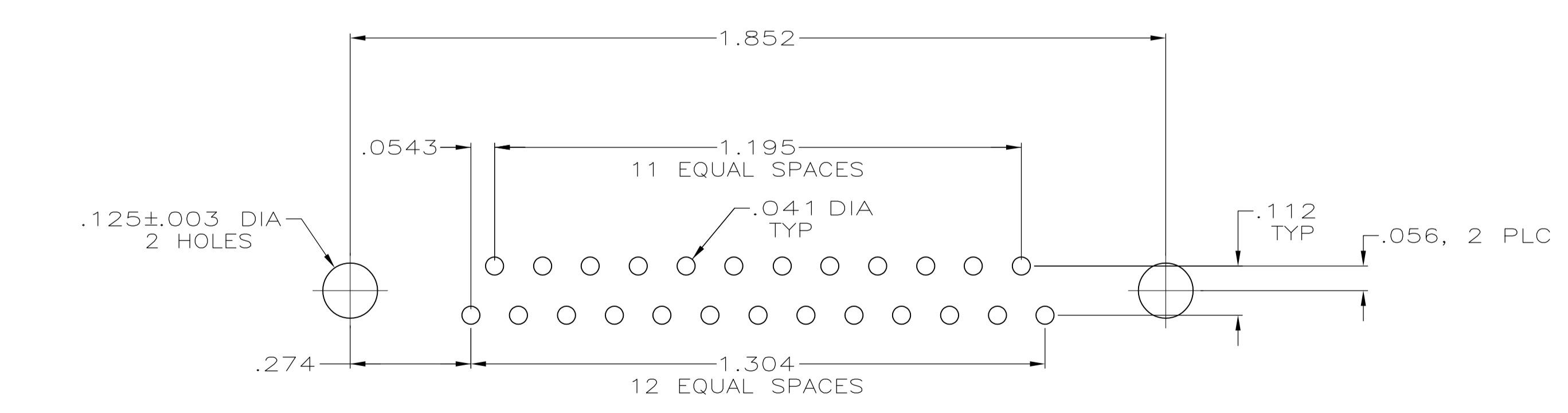
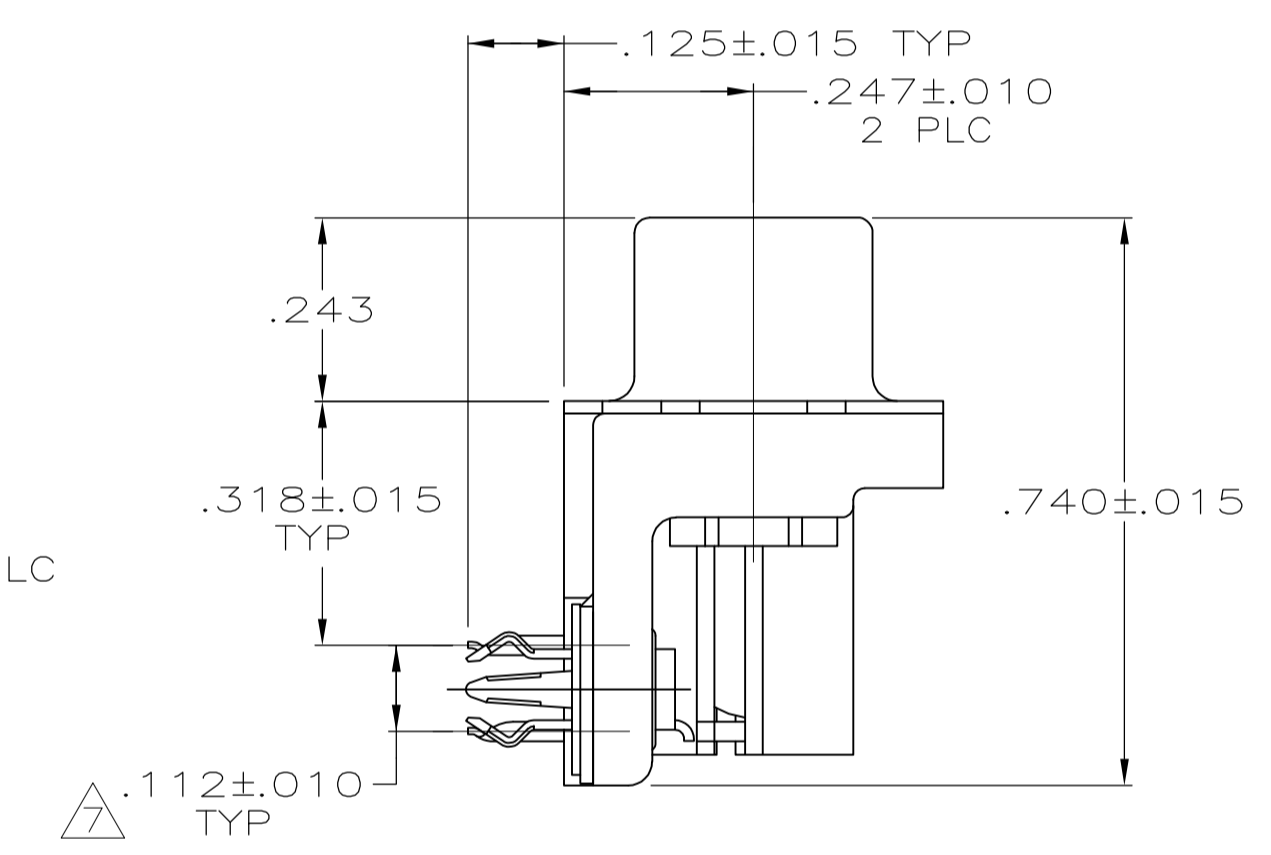
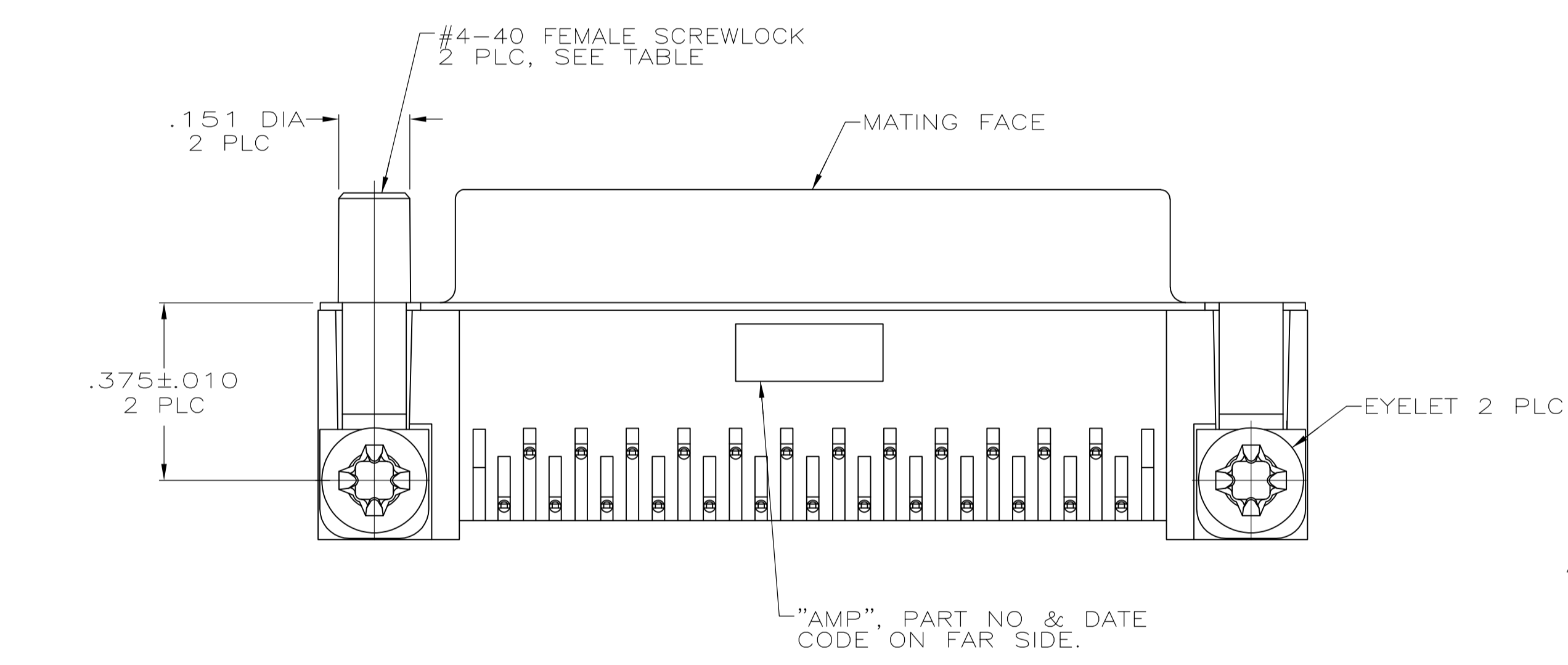
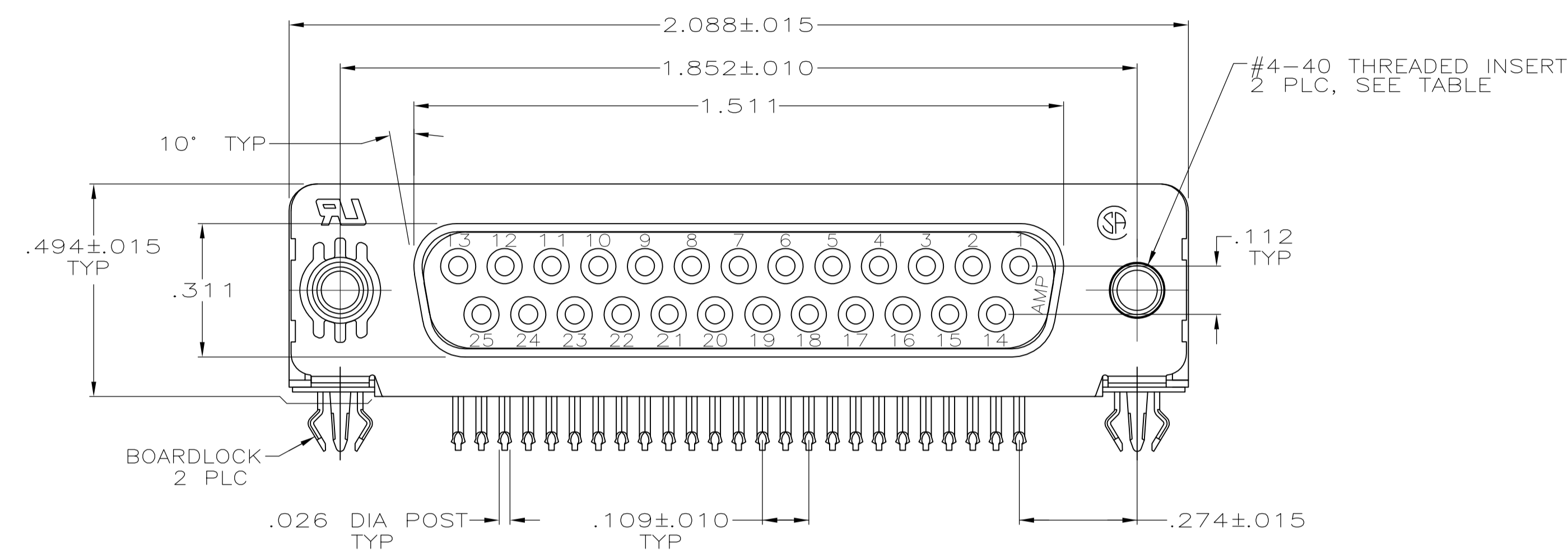


LOC		DIST		REVISIONS			
GP	00	F	LTR	DESCRIPTION	DATE	DWN	APVD
		Z1		REVISED PER ECO-11-004835	11MAR11	RK	HMR



RECOMMENDED P.C. BOARD MOUNTING DIMENSIONS

1. CONNECTOR MATES WITH ANY 25 POSN PLUG IN AMPLIMITE™ SERIES.
2. MOLDED PARTS: FLAME RETARDANT 94V-0 RATED THERMOPLASTIC, BLACK; POLYESTER PET, UL 94V-0 RATED, BLACK, -7 ONLY.
SHELL: STEEL PER ASTM A109
CONTACTS: PHOSPHOR BRONZE PER QQ-B-750
EYELETS: BRASS
SCREWLOCKS: ZINC
INSERTS: ZINC
BOARDLOCKS: COPPER ALLOY
3. SHELL: .000100 MIN TIN OR TIN-LEAD
CONTACTS: SEE TABLE
EYELETS: TIN
BOARDLOCKS: SEE TABLE
INSERTS AND SCREWLOCKS: CLEAR CHROMATE
4. GOLD PLATING PER MIL-G-45204, NICKEL PLATING PER QQ-N-290, TIN PLATING PER MIL-T-10727.
5. GOLD FLASH FOR A DISTANCE OF .100 MIN FROM MATING END, .000100-.000200 BRIGHT TIN OR BRIGHT TIN-LEAD ON TERMINATION END, ALL OVER .000050 NICKEL ON ENTIRE CONTACT.
6. .000030 GOLD FOR A DISTANCE OF .100 MIN FROM MATING END, .000100-.000200 BRIGHT TIN OR BRIGHT TIN-LEAD ON TERMINATION END, ALL OVER .000050 NICKEL ON ENTIRE CONTACT.
7. DIMENSION APPLIES FROM CENTER OF CONTACTS.
8. CIRCUIT IDENTIFICATION NUMBERS ON POSITIONS 1 AND 14 ONLY.

-	ZINC	FEMALE SCREWLOCKS	TIN	6	6-747846-9	
TRAY	ZINC	THREADED INSERTS	TIN	6	6-747846-8	
-	ZINC	THREADED INSERTS	TIN	6	6-747846-7	
SUPSD BY 747846-4	TUBE	ZINC	THREADED INSERTS	TIN-LEAD	6	747846-9
OBSELETE	-	BRASS	ULTRASONIC THREADED INSERTS	TIN-LEAD	6	747846-7
-	ZINC	FEMALE SCREWLOCKS	TIN-LEAD	6	747846-6	
-	ZINC	FEMALE SCREWLOCKS	TIN-LEAD	6	747846-5	
TRAY	ZINC	THREADED INSERTS	TIN-LEAD	6	747846-4	
-	ZINC	THREADED INSERTS	TIN-LEAD	6	747846-3	
OBSELETE	-	-	.125 DIA HOLES	6	747846-2	
SUPSD BY 747846-2	-	-	.125 DIA HOLES	6	747846-1	
PACKAGING	INSERT MATERIAL	MOUNTING HARDWARE	BOARDLOCK FINISH	CONTACT FINISH	PART NUMBER	

THIS DRAWING IS A CONTROLLED DOCUMENT.

DIMENSIONS: INCHES	TOLERANCES UNLESS OTHERWISE SPECIFIED:	DIN	J. GALLUCCI/BG	28-JAN-91
0 PLC ± -	1 PLC ± -	CHK	W.G. LENKER	15-APR-91
2 PLC ± -	3 PLC ± .005	APVD	J. YOUNG	15-APR-91
4 PLC ± -	ANGLES ± .2	NAME	RECEPTACLE ASSEMBLY, SIZE 3, 25 POSITION, RIGHT ANGLE, FRONT METAL SHELL, .318 SERIES, 108-40025	
MATERIAL	FINISH	PRODUCT SPEC	108-40025	
		APPLICATION SPEC	114-40010	
		SIZE	A1	
		WEIGHT	00779	
		CUSTOMER DRAWING	747846	

SCALE 4:1 SHEET 1 OF 1 REV Z1

X-ON Electronics

Largest Supplier of Electrical and Electronic Components

Click to view similar products for [D-Sub Standard Connectors](#) category:

Click to view products by [TE Connectivity](#) manufacturer:

Other Similar products are found below :

[DCM37S732N](#) [DAM15P500](#) [DEV09S364GTLF](#) [DEM09P032N](#) [DDM50P732N](#) [DAM15S332N](#) [173109-2218](#) [173109-2466](#) [173109-2436](#)
[173109-2435](#) [56F706-005-LI](#) [56F711-015](#) [015-0341-000](#) [015-0372-008](#) [015-8544-011](#) [017041-0005](#) [012-0515-000](#) [012-9507-034](#) [012-9507-114](#) [012-9534-001](#) [020745-0008](#) [609-25P](#) [M24308/2-23Z](#) [M243082310F](#) [M243082410F](#) [M243082411F](#) [M24308/4-21](#) [CT1A18-11PSA206](#)
[CT1N36-5SC](#) [CT2-16S-17PS](#) [CT2-20-15PCAU](#) [CT2-24-12PS](#) [CT2-24-28PSF127A206](#) [CT2-32-9PC](#) [CT6F9767-14-4-14S-5PC](#)
[CT6FA10SL-4PS](#) [CT7-18-10SC](#) [CT7-18-10SCAU](#) [CT7-18-12SCAU](#) [CT7-18-1PC](#) [CT7-18-1PCAU](#) [CT7-18-21SCAU](#) [M83513/01-FC](#)
[M83723/76W24619 L/C](#) [M85049/48-3-2F](#) [69001-865](#) [6STD09PCM99B70X](#) [6STD09SCT99S40X](#) [6STD15PCT99S40X](#)
[6STD15SCM99B30X](#)