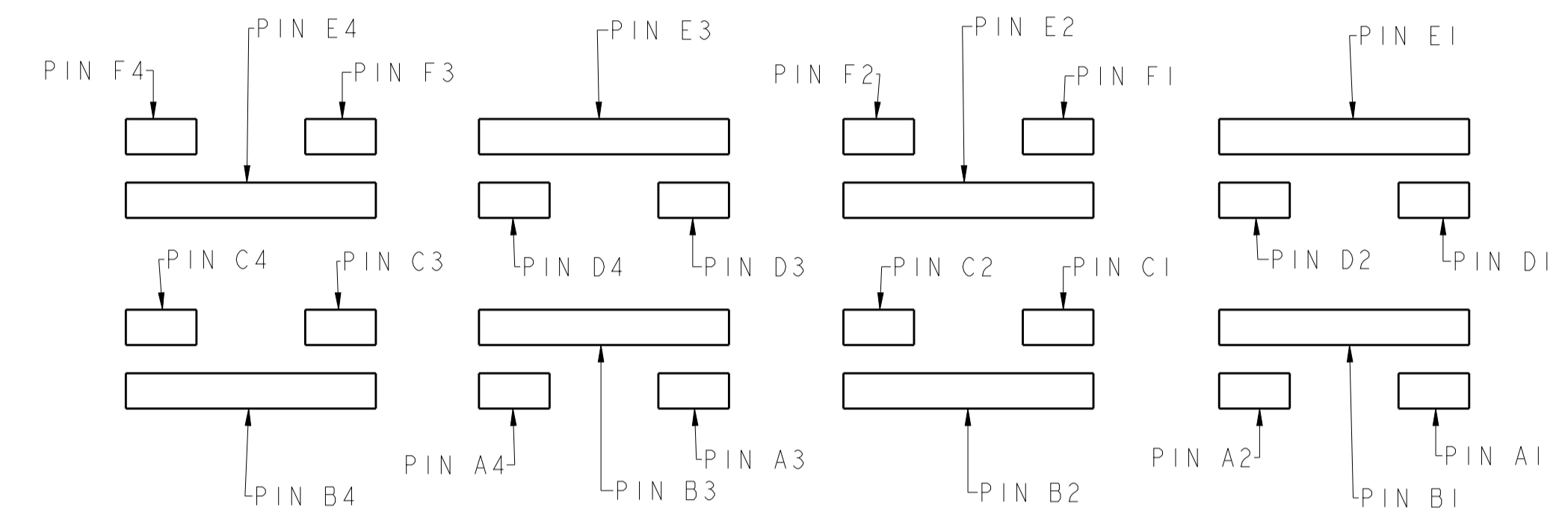
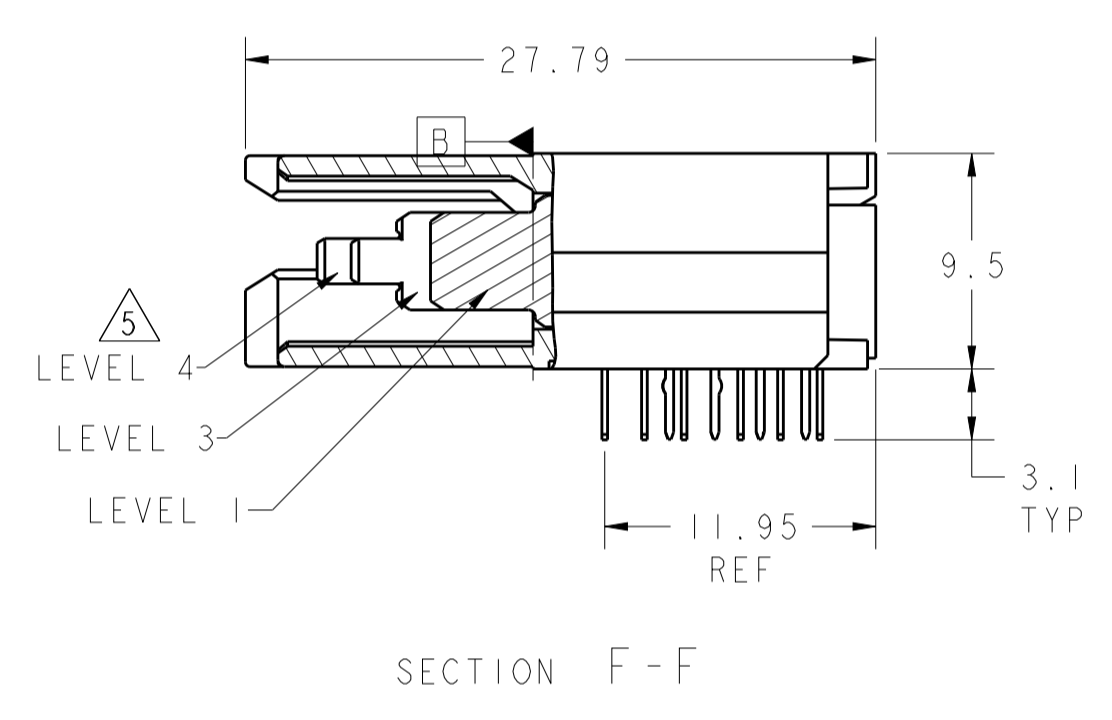
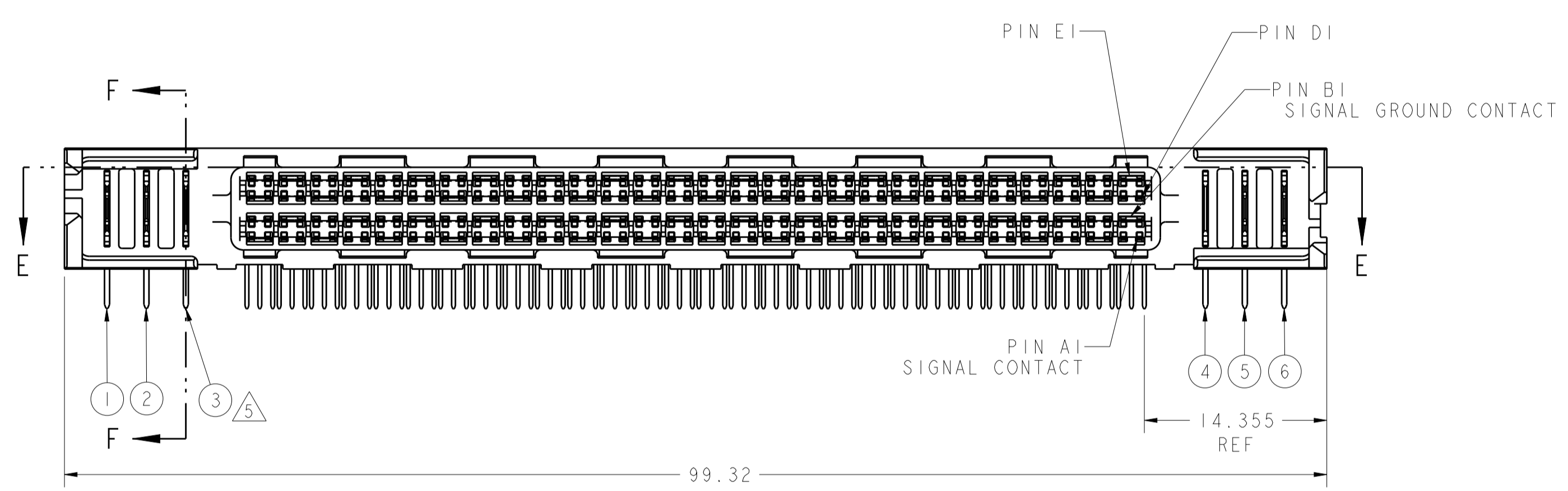
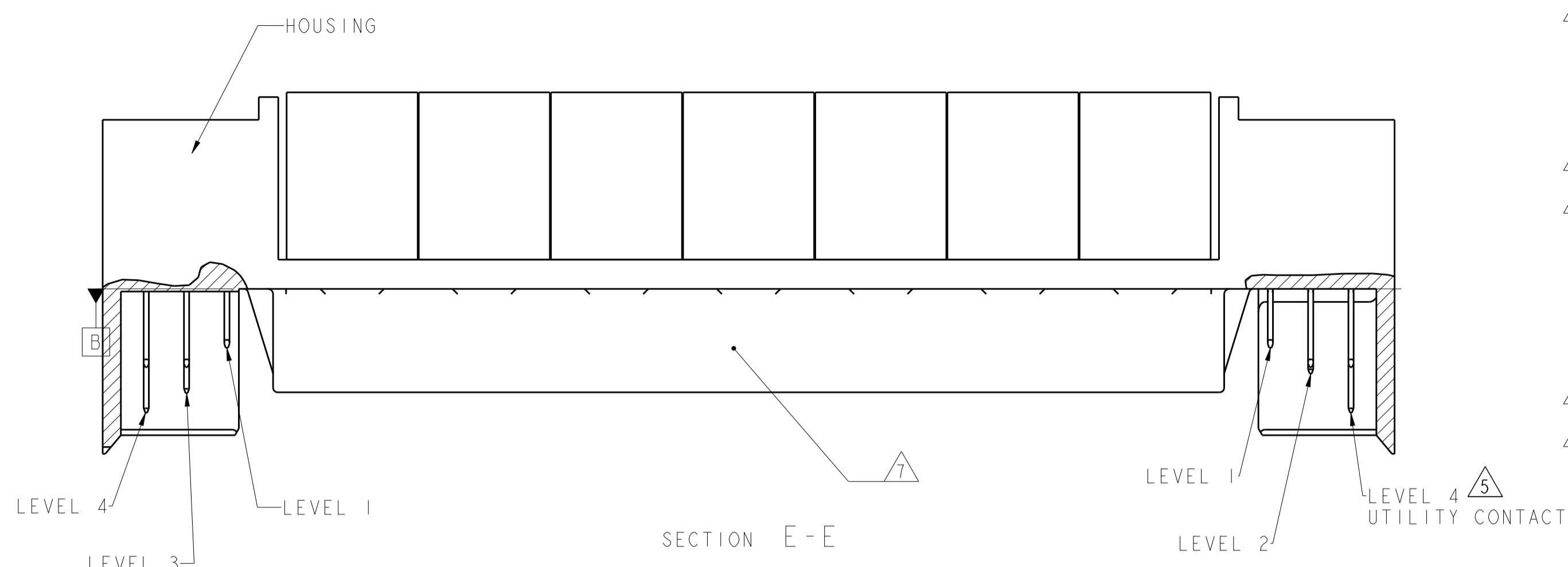
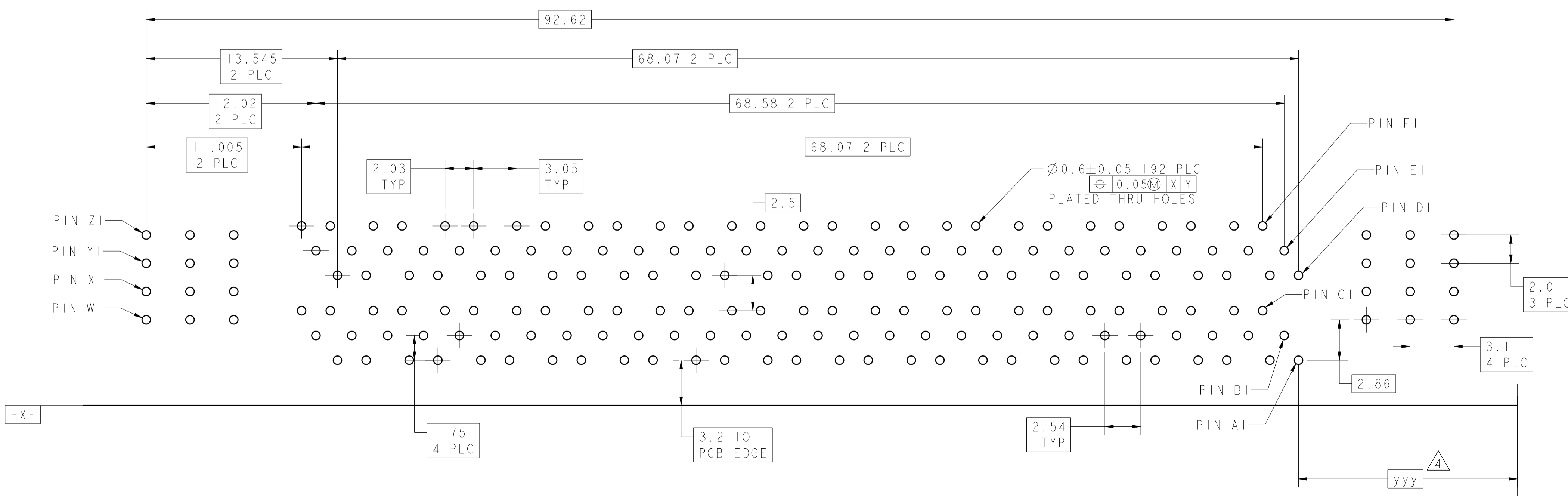


REVISIONS				
P.	LTN.	DESCRIPTION	DATE	APPD.
B		REVISED PER ECO-10-012356	13DEC2010	CJV EJB
C		ECO-15-006497	08APR2016	LL SH

- 1. HOUSINGS; POLYESTER, UL 94V-0 RATED, NATURAL SIGNAL AND SIGNAL GROUND CONTACTS: COPPER ALLOY UTILITY CONTACTS: PHOSPHOR BRONZE
- 2. UTILITY CONTACTS: 0.76µm MIN GOLD IN CONTACT AREA, 2.54µm MIN TIN-LEAD ON PCB TAILS, OVER 1.27µm MIN NICKEL OVER ALL. SIGNAL AND SIGNAL GROUND CONTACTS: 0.76µm MIN GOLD IN CONTACT AREA, 2.54µm MIN TIN-LEAD ON PCB TAILS, OVER 1.27µm MIN NICKEL OVER ALL.
- 3. ROWS A, C, D, AND F ARE SIGNAL CONTACTS. ROWS B AND E ARE SIGNAL GROUND CONTACTS.
- 4. DIMENSIONS PER CUSTOMER BOARD LAYOUT.
- 5. SEE UTILITY CONTACT SEQUENCE TABLE FOR LOCATION AND LEVEL/LENGTH OF UTILITY CONTACTS FOR EACH PRODUCT PART NUMBER. UTILITY LEVEL 1 CAN BE USED FOR SENSING. UTILITY LEVELS 2, 3, AND 4 CAN BE USED FOR POWER, GROUND, OR ESD. SEQUENCING SHOWN IN SECTION E-E SHOWS THREE LEVELS FOR COMPARISON. UTILITY LEVEL 2 EQUALS THE SIGNAL GROUND CONTACT LEVEL. SIGNAL LEVEL IS BETWEEN UTILITY LEVELS 1 AND 2.
- 6. BLOCK DIAGRAM AND CONTACT IDENTIFICATION APPLY TO COPLANAR NON-INVERTED APPLICATION ONLY. CONTACT IDENTIFICATION REVERSES FOR INVERTED APPLICATIONS, I.E COPLANAR OR MID-BOARD INVERTED.
- 7. COMPANY LOGO IN APPROXIMATE AREA SHOWN.
- 8. OBSOLETE PART.



BLOCK DIAGRAM MATING FACE CONFIGURATION



RECOMMENDED PC BOARD FOOTPRINT COMPONENT SIDE SHOWN SCALE 5:1

UTILITY CONTACT SEQUENCE TABLE						
UTILITY CONTACT LEVEL 1, 2, 3, OR 4						
4	3	1	2	2	4	6367557-5
2	3	4	4	3	2	6367557-4
4	3	1	1	3	4	6367557-3
4	2	2	2	2	4	6367557-2
4	3	2	2	3	4	6367557-1
1	2	3	4	5	6	PART NUMBER

UTILITY CONTACT LOCATION

THIS DRAWING IS A CONTROLLED DOCUMENT.

DIMENSIONS:	TOLERANCES UNLESS OTHERWISE SPECIFIED:	OWN: C. VALENTINE 13DEC2010	CHK: P. RECCE 13DEC2010	NAME: Z-DOK+ ADAPTER BOARD CONNECTOR ASSEMBLY, 56 SIGNAL DIFF. PAIR, 3 UTILITY CONTACTS PER SIDE
mm	0 PLC ±0.3 1 PLC ±0.3 2 PLC ±0.25 3 PLC ±0.25 4 PLC ±0.25	APPD: P. RECCE 13DEC2010	PRODUCT SPEC: 108-1985	SIZE: 114-13068
MATERIAL:	FINISH:	WEIGHT:	SCALE: 3:1	SHEET 1 OF 1

STE TE Connectivity

CAGE CODE DRAWING NO: A100779 C=6367557

CUSTOMER DRAWING

X-ON Electronics

Largest Supplier of Electrical and Electronic Components

Click to view similar products for [High Speed/Modular Connectors](#) category:

Click to view products by [TE Connectivity](#) manufacturer:

Other Similar products are found below :

[2332816-1](#) [89006-1137LF](#) [650827-1](#) [65762-001LF](#) [73474-201LF](#) [74040-1346](#) [74075-0267](#) [1410191-1](#) [1410337-1](#) [1410368-3](#) [1410964-2](#)
[1410367-3](#) [1410971-4](#) [1467833-1](#) [2000877-1](#) [2000878-1](#) [2041314-1](#) [2065387-1](#) [2187307-1](#) [2187462-1](#) [2226278-6](#) [KA81-07](#) [91290-101LF](#)
[163P](#) [1934290-1](#) [2000875-1](#) [2065917-1](#) [2102736-2](#) [FSR-40](#) [2169868-2](#) [2226279-2](#) [22354-8](#) [437-5040-000](#) [5-1393565-0](#) [532449-3](#) [532803-](#)
[2](#) [34745-0001](#) [0736440217](#) [1-1393708-5](#) [72388-0021LF](#) [73774-1000](#) [532939-1](#) [5-531355-3](#) [5532901-3](#) [85838-180LF](#)
[HM1S43TRR460H6PLF](#) [0760205010](#) [1-966831-4](#) [3-1469268-7](#) [77427-121LF](#)