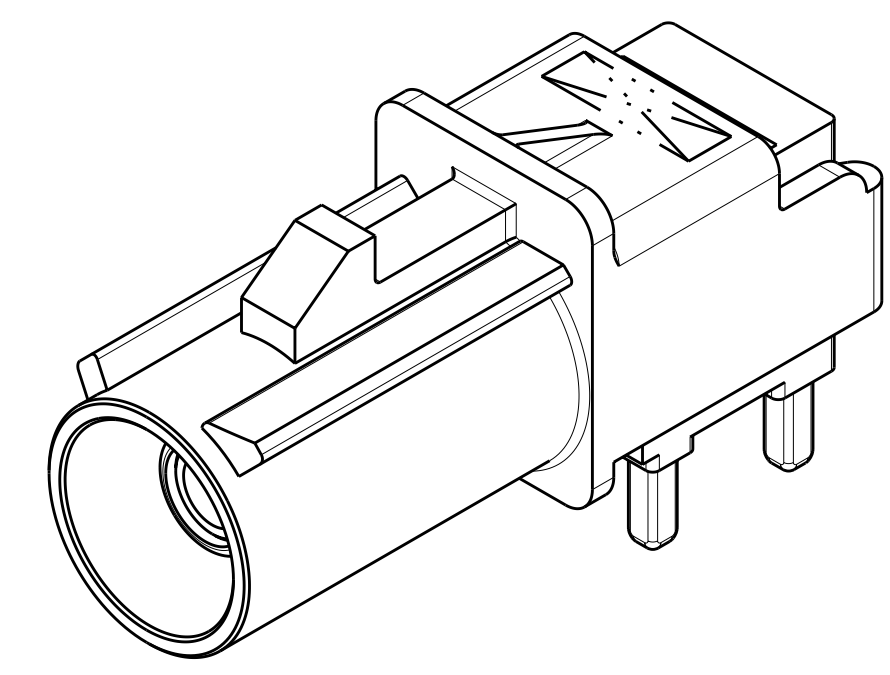
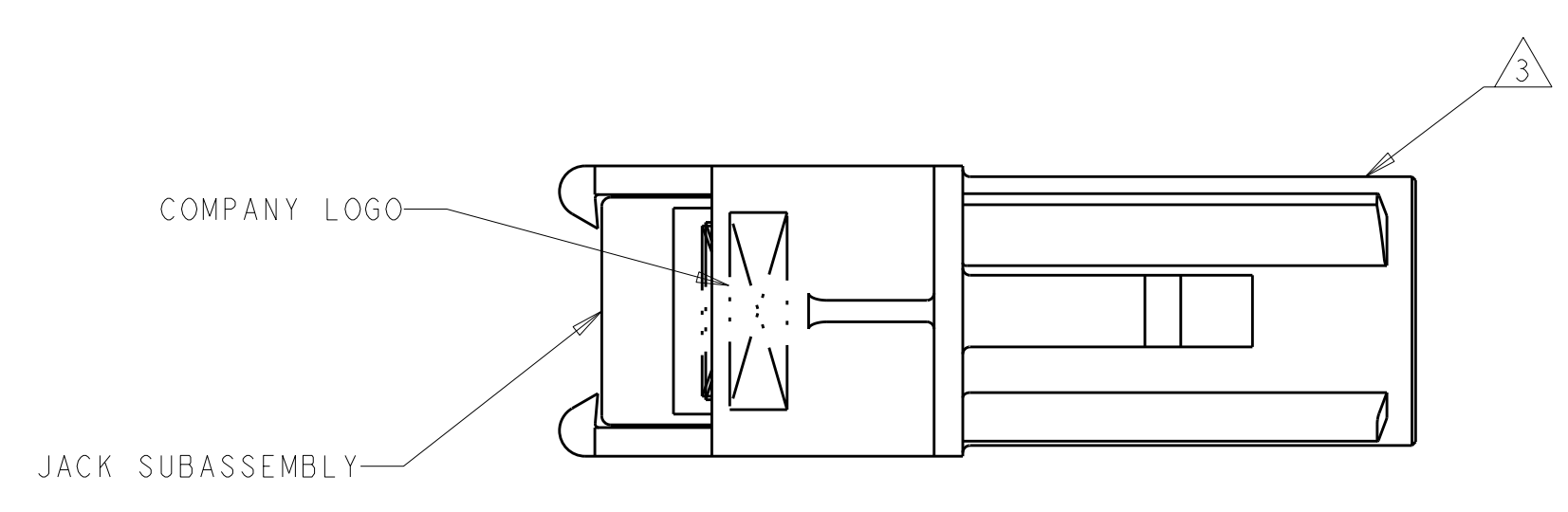
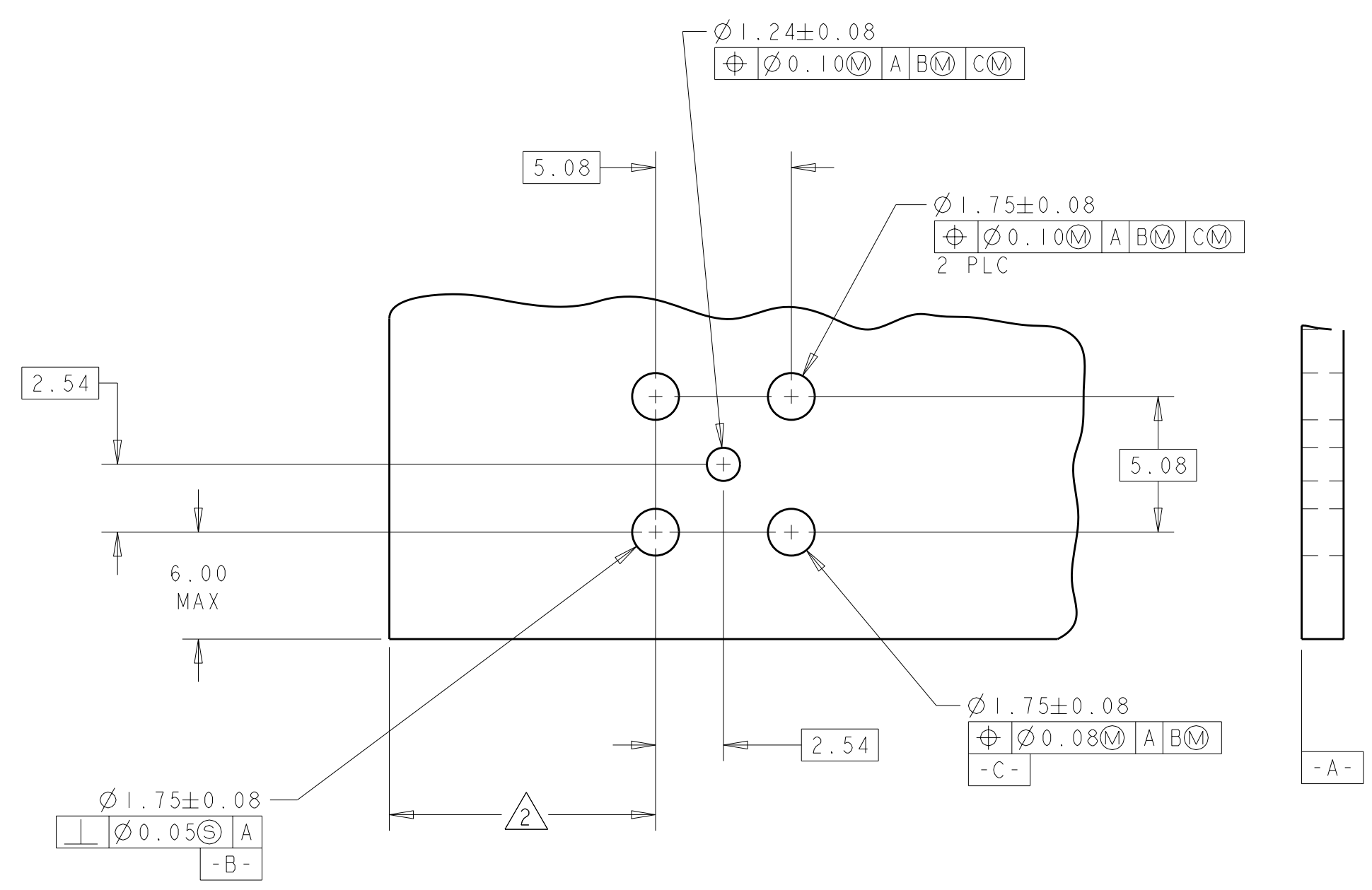
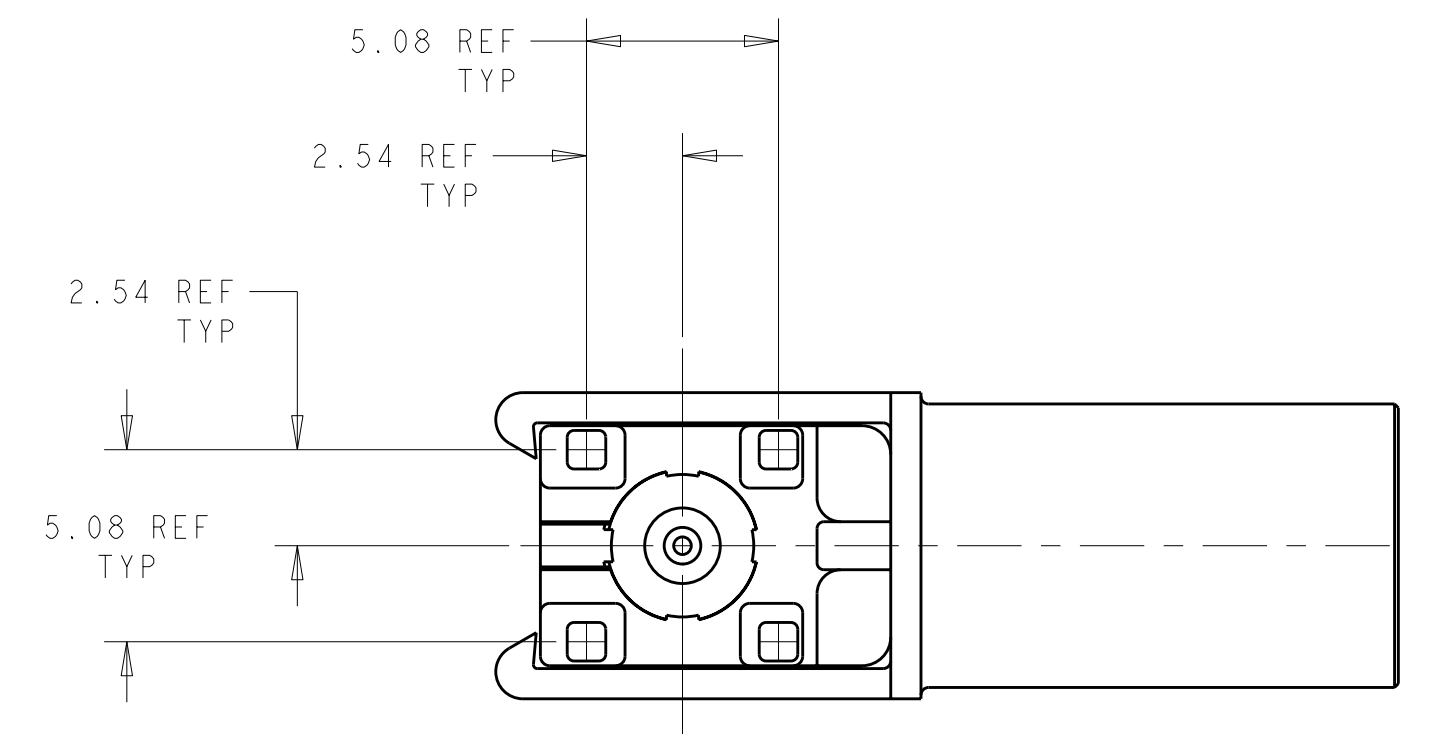
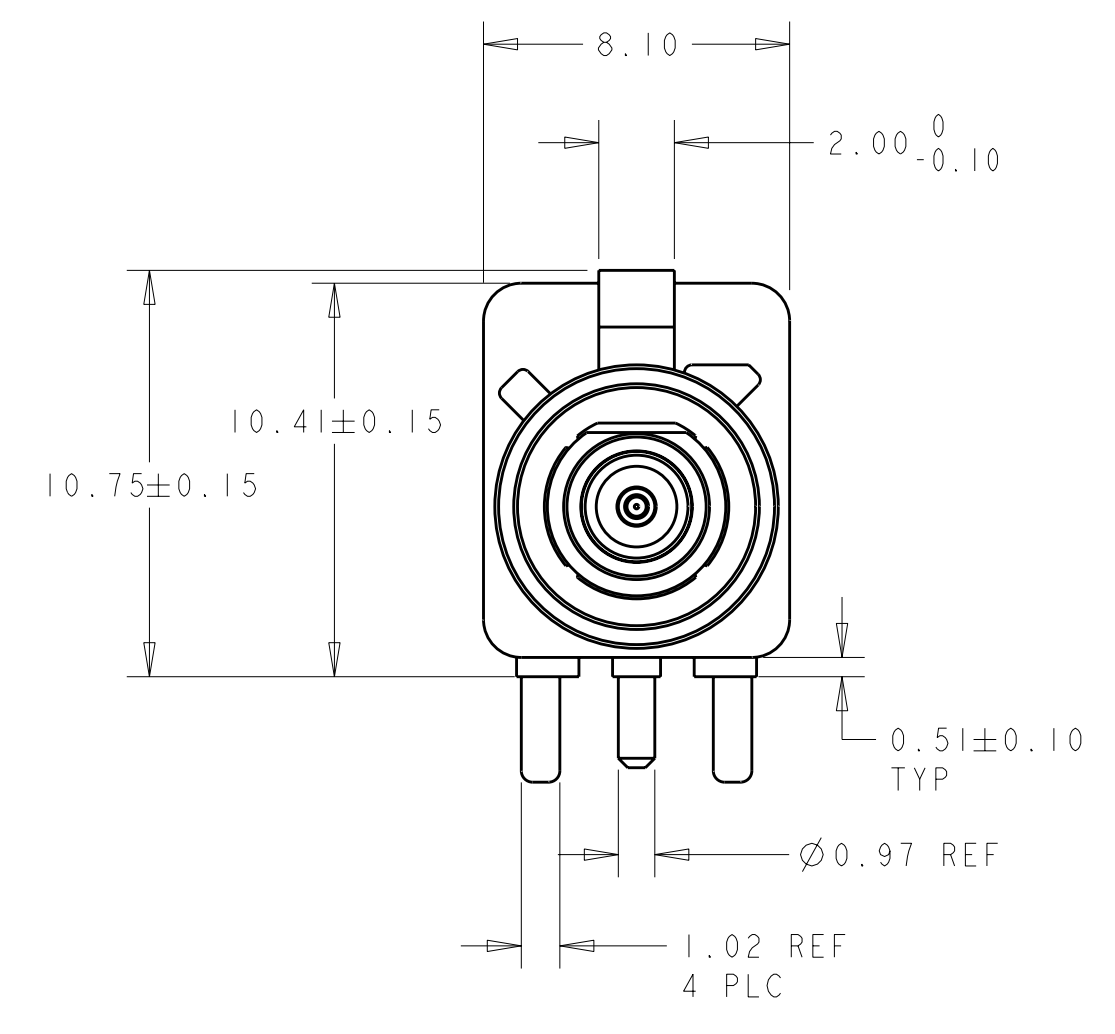
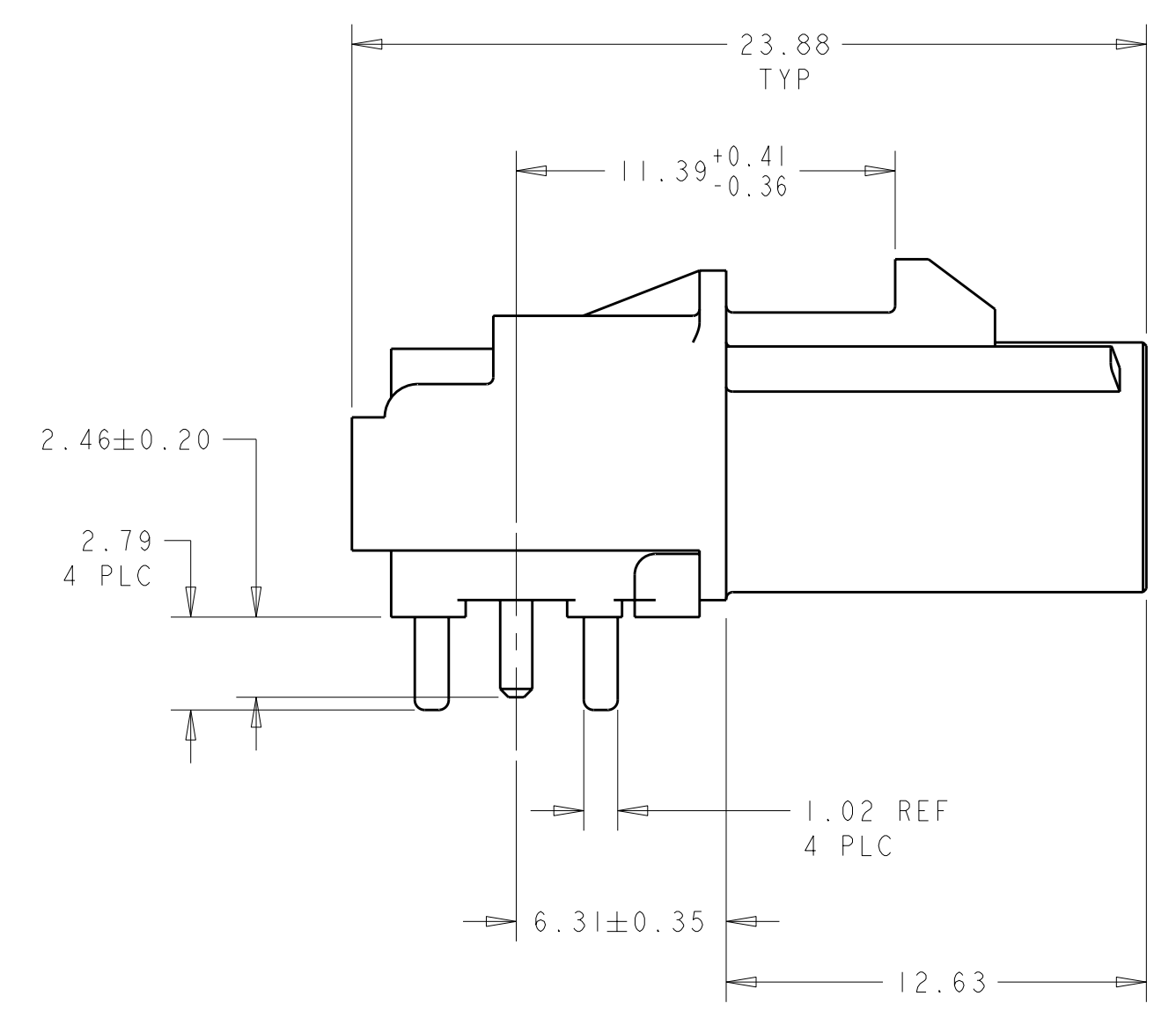


LOC	DIST	REVISIONS			
		REV	DATE	BY	APPD
FX	00	J1	REVIS PER ECO-11-005030	12MAR2011	RK HMR



- △ MATERIAL:
 HOUSING: PBT
 JACK: ZINC
 PIN: BRASS
 DIELECTRIC - REAR: POLYMETHYLPENTENE AND FRONT: TEFLON
- △ DIMENSION ESTABLISHED BY CUSTOMER RELATIVE TO LOCATION ON PCB.
- △ JACK INTERFACE PER SAE/USCAR-18, FAKRA SMB RF CONNECTOR SUPPLEMENT
- △ FINISH:
 JACK: JACK - PLATE 2.0µm - 4.0µm TIN OVER 1.52µm - 4.06µm BRIGHT NICKEL OVER 2.54µm COPPER FLASH
 PIN: 1.27µm MINIMUM THICK GOLD OVER 1.3µm MINIMUM THICK NICKEL



RECOMMENDED PC BOARD LAYOUT

PER DETAIL	KEYING	KEY CODE	JACK HOUSING COLOR	PART NUMBER
PER DETAIL Z	Z		WATERBLUE	1-638817-1
PER DETAIL K	K		CURRY	1-638817-0
PER DETAIL I	I		BEIGE	638817-9
PER DETAIL H	H		VIOLET	638817-8
PER DETAIL G	G		GREY	638817-7
PER DETAIL F	F		BROWN	638817-6
PER DETAIL E	E		GREEN	638817-5
PER DETAIL D	D		BORDEAUXVIOLET	638817-4
PER DETAIL C	C		BLUE	638817-3
PER DETAIL B	B		SIGNAL WHITE	638817-2
PER DETAIL A	A		BLACK	638817-1

THIS DRAWING IS A CONTROLLED DOCUMENT.

OWN: D. HARDY 05JUL00
 CHK: J.W. HALL 06JUL00
 APVD: J.W. HALL 06JUL00

DIMENSIONS: mm
 TOLERANCES UNLESS OTHERWISE SPECIFIED:
 9 PLC ±
 3 PLC ±0.25
 5 PLC ±
 4 PLC ±
 ANGLES ±

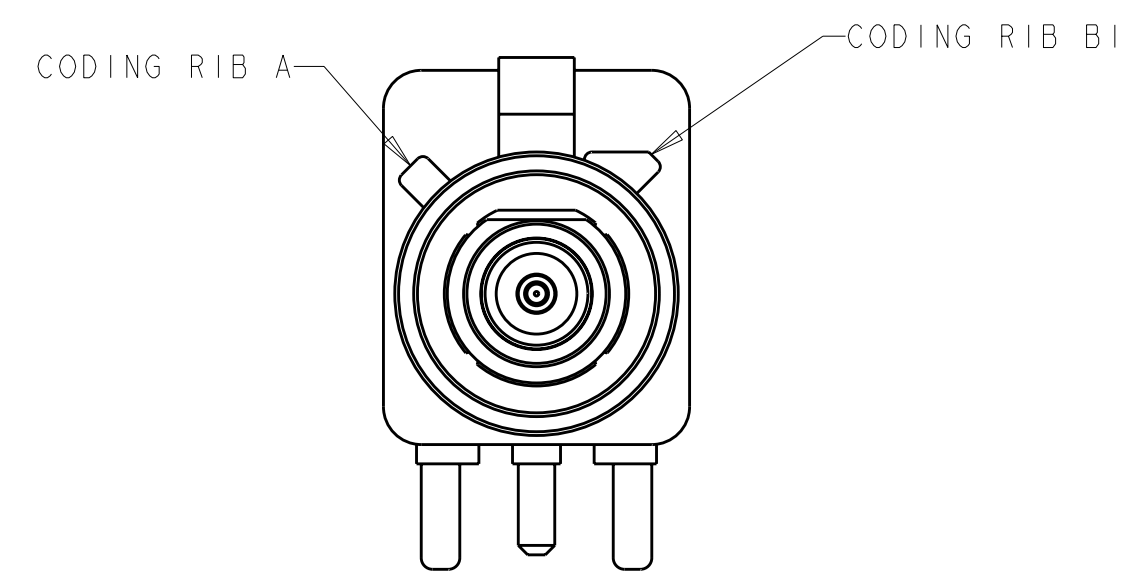
MATERIAL: △
 FINISH: △4

PRODUCT SPEC: 108-2054
 APPLICATION SPEC: 114-13043
 WEIGHT: 4.10 g

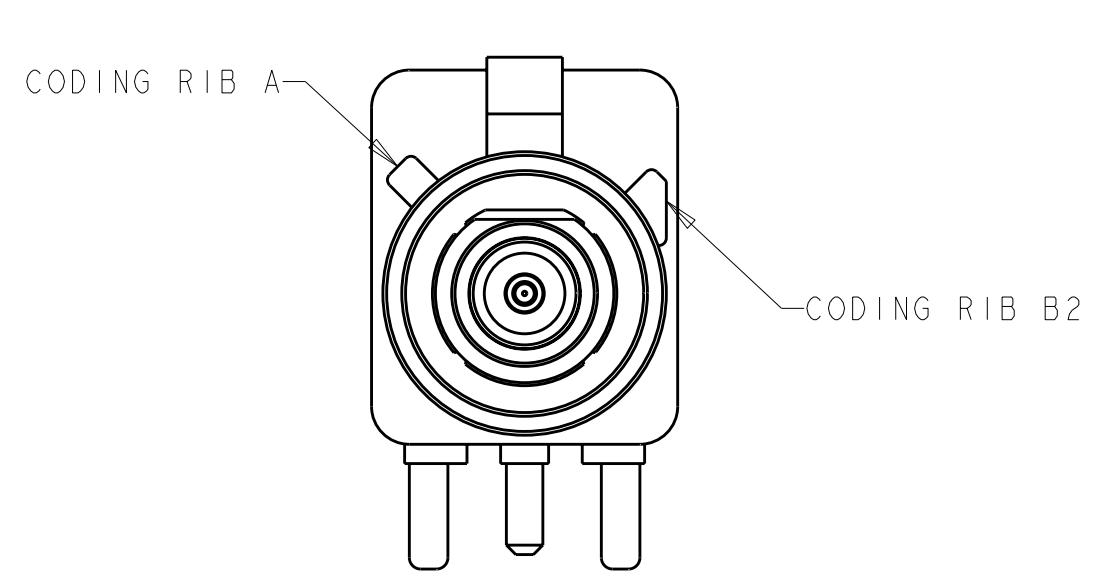
NAME: JACK ASSEMBLY, FAKRA, 1 POSITION, RIGHT ANGLE, PCB, 50 Ohm, SMB
 SIZE: CAGE CODE DRAWING NO: A1100779C-638817
 RESTRICTED TO: -

CUSTOMER DRAWING SCALE: 5:1 SHEET 1 OF 2 REV J1

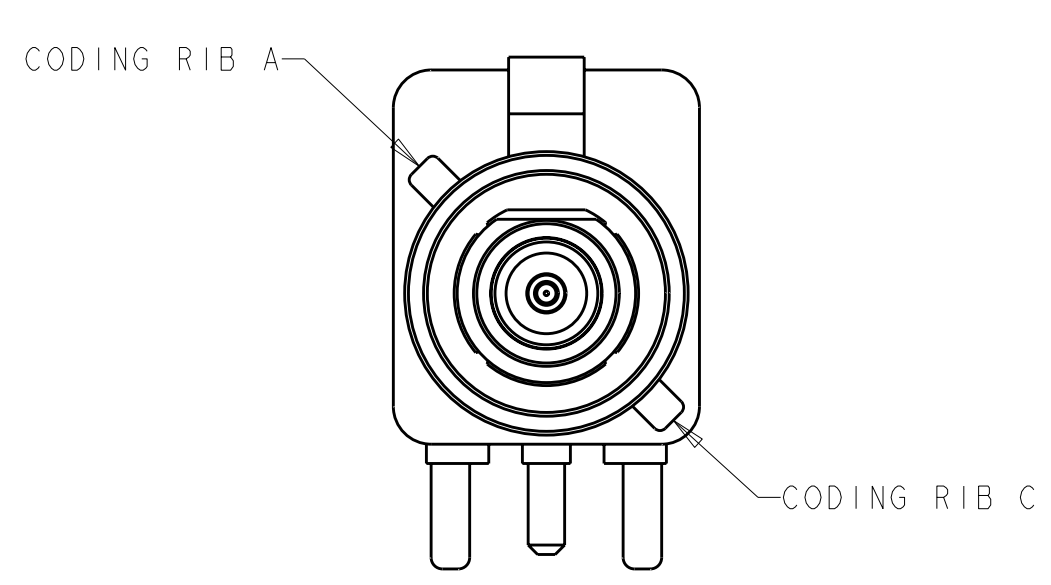
LOC	DIST	REVISIONS			
		REV	DATE	BY	APPV
FX	00	-	-	-	-
		SEE SHEET 1			



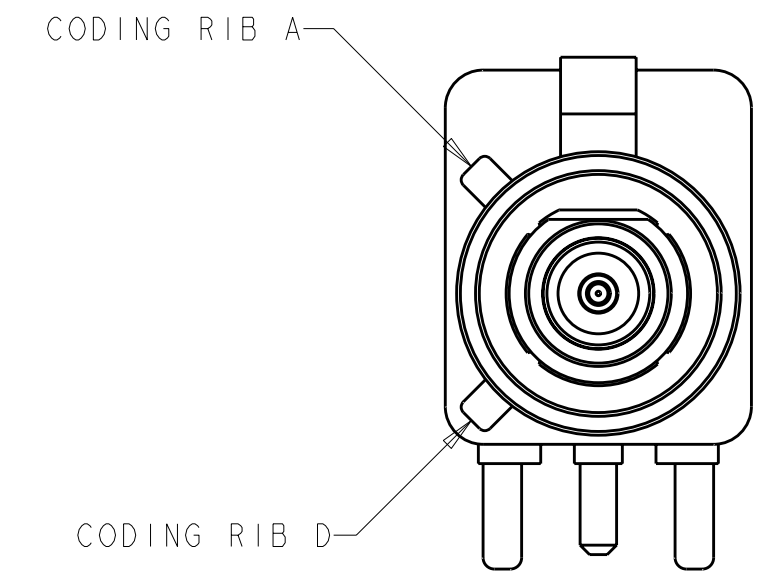
DETAIL A



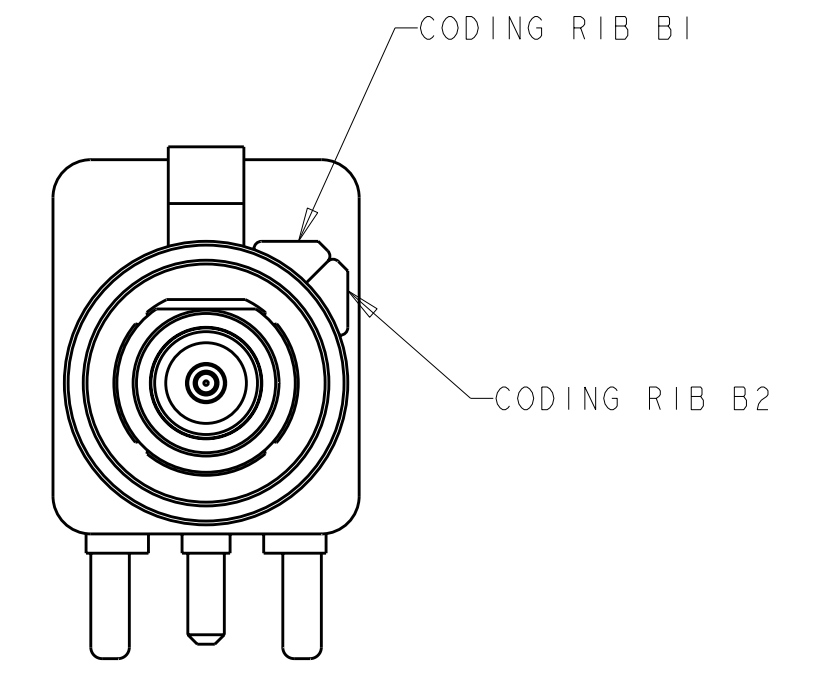
DETAIL B



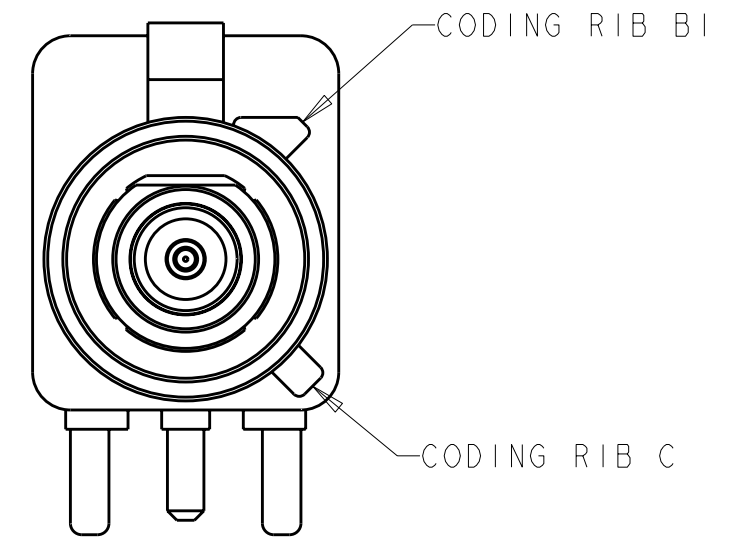
DETAIL C



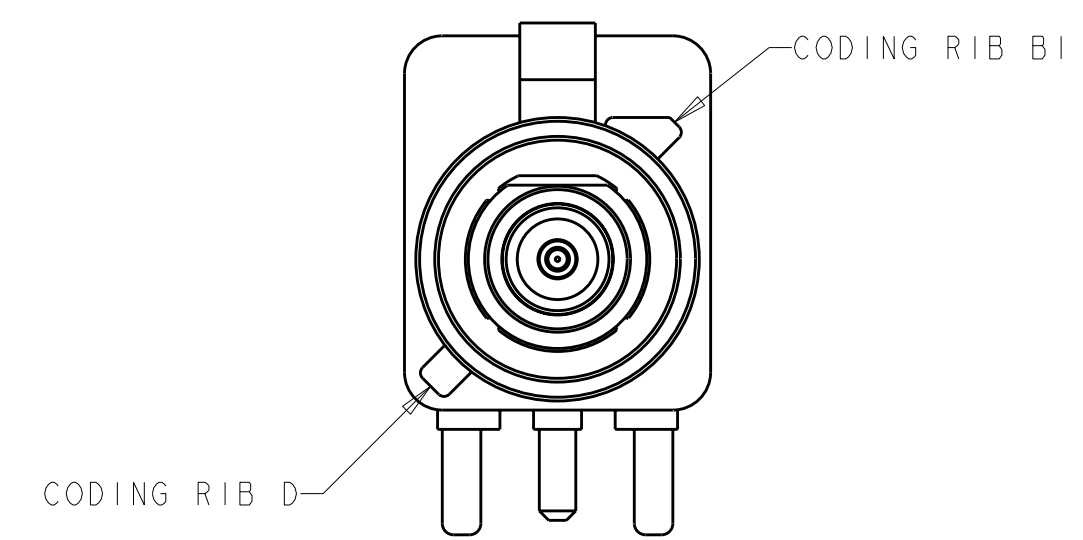
DETAIL D



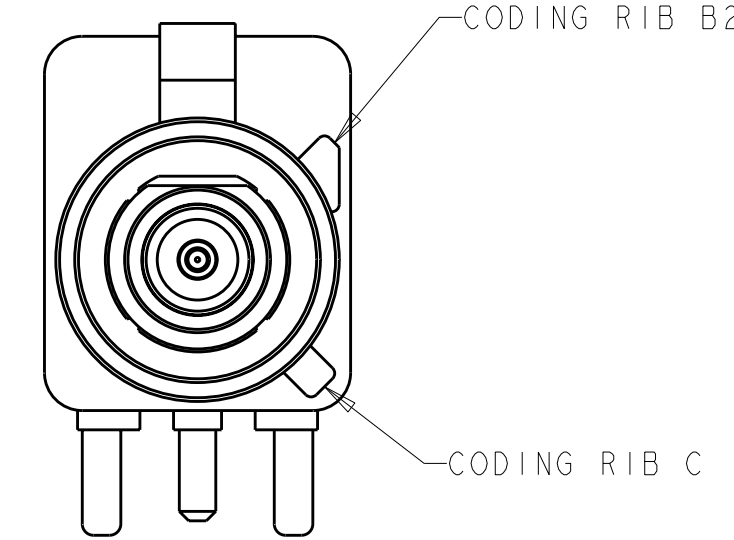
DETAIL E



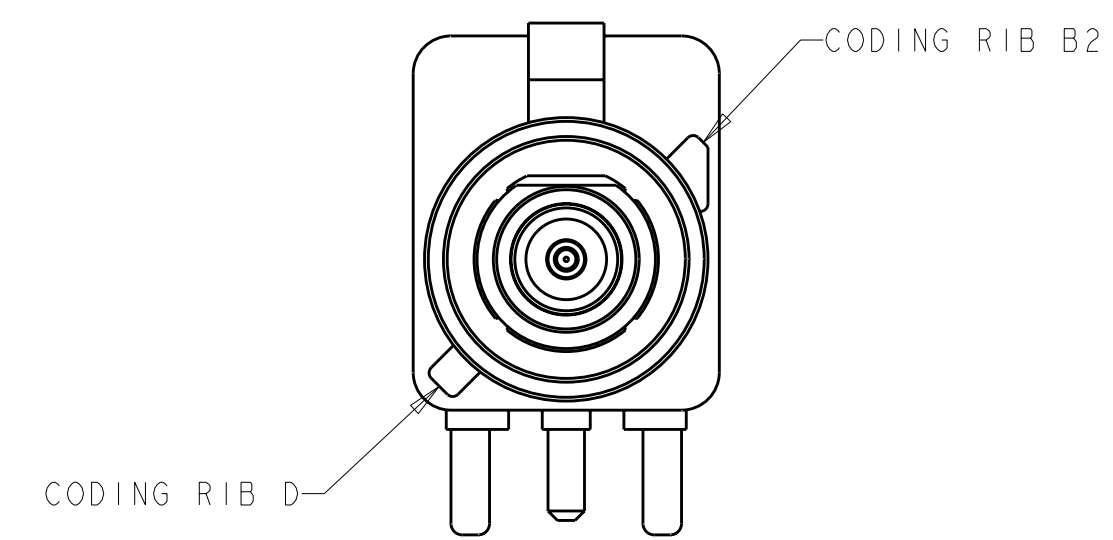
DETAIL F



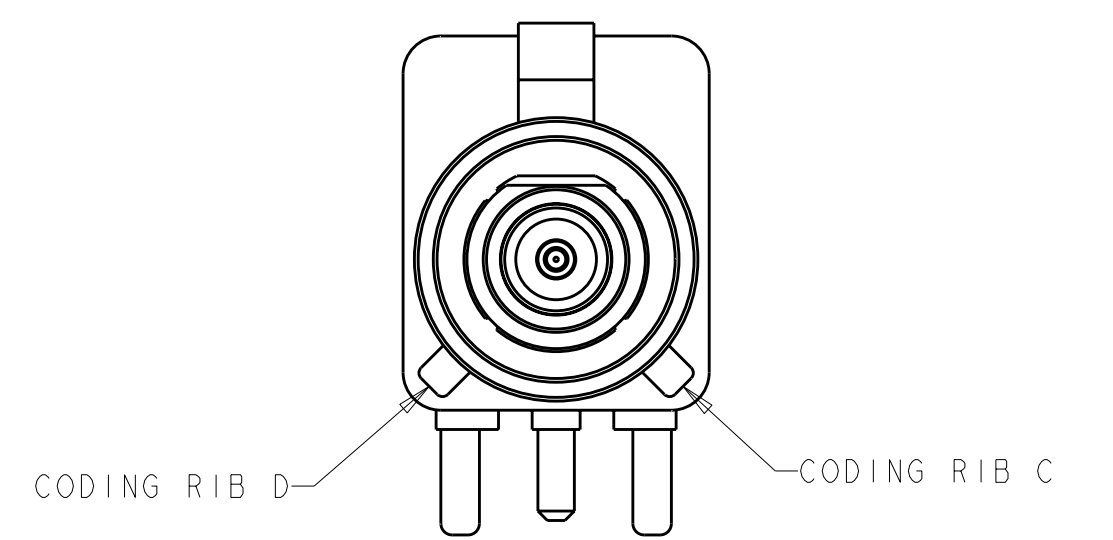
DETAIL G



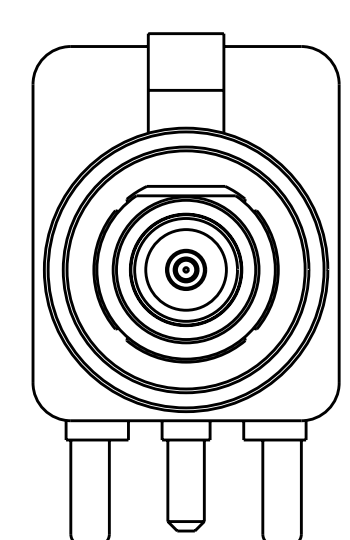
DETAIL H



DETAIL I



DETAIL K



DETAIL Z

THIS DRAWING IS A CONTROLLED DOCUMENT.		OWN: D. HARDY 05JUL00	TE Connectivity NAME: JACK ASSEMBLY, FAKRA, 1 POSITION, RIGHT ANGLE, PCB, 50 Ohm, SMB SIZE: A100779 C=638817 RESTRICTED TO:
DIMENSIONS: mm		CHK: J.W. HALL 06JUL00	
TOLERANCES UNLESS OTHERWISE SPECIFIED: 9 PLC ± 2 PLC ±0.25 5 PLC ± 4 PLC ± ANGLES ± FINISH		APVD: J.W. HALL 06JUL00	
MATERIAL: -	FINISH: -	PRODUCT SPEC: -	APPLICATION SPEC: -
CUSTOMER DRAWING		WEIGHT: -	SCALE: 5:1 SHEET 2 OF 2 REV: J1

X-ON Electronics

Largest Supplier of Electrical and Electronic Components

Click to view similar products for [RF Connectors / Coaxial Connectors](#) category:

Click to view products by [TE Connectivity](#) manufacturer:

Other Similar products are found below :

[R125315120](#) [8915-1511-000](#) [89674-0827](#) [5916-1103-603](#) [0106-001-000](#) [6-0001-3](#) [6001-7071-019](#) [6002-7051-003](#) [6002-7551-202](#) [6059674-1](#) [619550-1](#) [630059-000](#) [M39012/25-0021](#) [M39012/79-3008](#) [M39030/3-01N](#) [M39030/3-03N](#) [M3933/25-36N](#) [6500-7071-046](#) [6501-1071-002](#) [M83723/72W2457N](#) [6769](#) [CX050L2AQ](#) [7002-1541-010](#) [7002-1572-002](#) [7003-1572-002](#) [7004-1512-000](#) [7009-1511-004](#) [7010-1511-000](#) [7029-1511-060](#) [7101-1541-010](#) [7101-1571-002](#) [7105-1521-002](#) [7145-1521-002](#) [7209-1511-011](#) [7210-1511-012](#) [7210-1511-015](#) [7210-1511-019](#) [7210-1511-040](#) [7225-1512-050](#) [7242-1511-000](#) [73137-5015](#) [73251-0111](#) [73251-0672](#) [73276-1501](#) [73366-0013](#) [73404-2300](#) [73413-6080](#) [73415-5721](#) [7405-1521-005](#) [7405-1521-802](#)