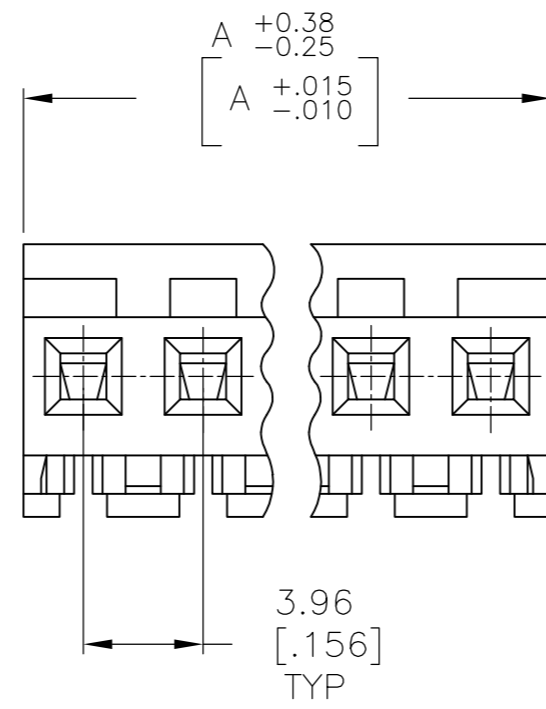
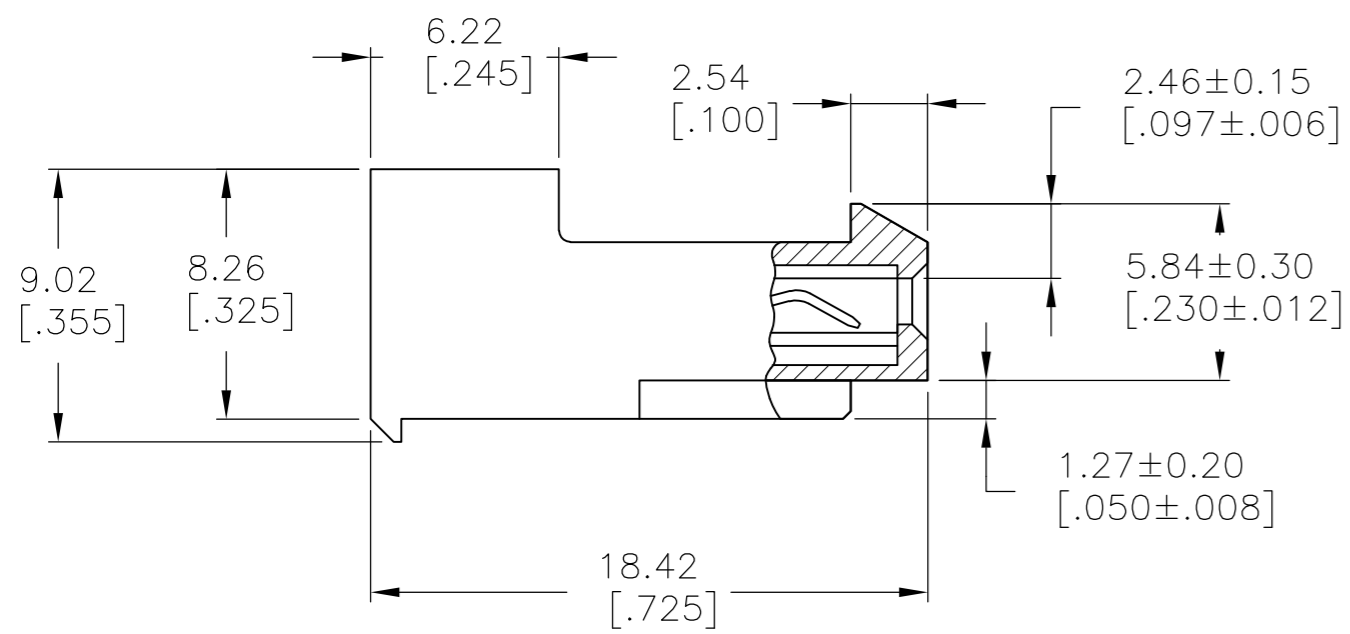
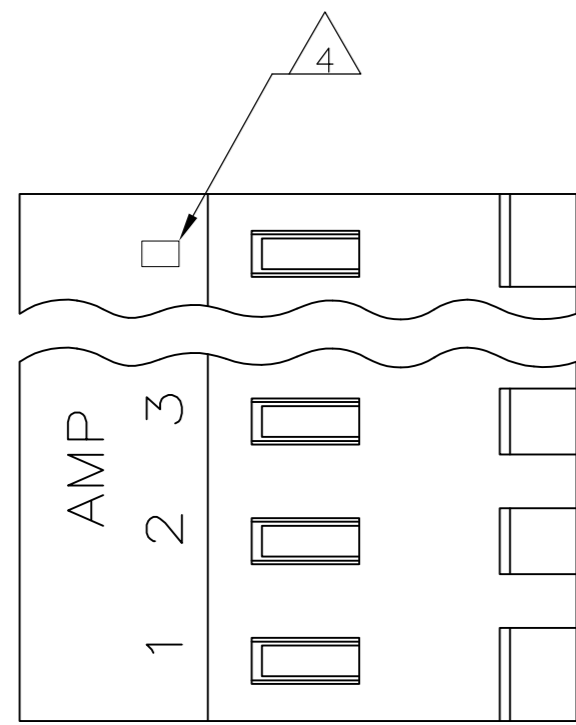


THIS DRAWING IS UNPUBLISHED. RELEASED FOR PUBLICATION  
 © COPYRIGHT - By - TE CONNECTIVITY ALL RIGHTS RESERVED.

LOC	DIST	REVISIONS					
CM	00	P	LTR	DESCRIPTION	DATE	DWN	APVD
		T2		REVISED PER ECR-15-006687	26OCT2015	NK	NL



1 MATERIAL: CONNECTOR - NYLON UL94V-2 (YELLOW).  
 CONTACTS - 0.00076[.000030] GOLD THK OR 0.00008[.000003] MIN THK GOLD FLASH OVER 0.00068[.000027] THK PALLADIUM NICKEL, PER TE CONNECTIVITY'S DISCRETION. IN CONTACT AREA WITH MATTE TIN FOR 641218-2 THRU 2-641218-4, MATTE WHISKER MITIGATED TIN FOR 3-641218-2 THRU 5-641218-4 OVER NICKEL UNDERPLATE.

2 CONTACTS ACCEPT 20 AWG WIRE WITH 2.41[.095] MAX INSULATION DIAMETER.

3 CONTACTS MUST ACCEPT 1.14±0.03 [.045±.001] SQUARE POST AND REMAIN LOCKED IN POSITION.

4 IDENTIFICATION NUMBER FOR LAST CIRCUIT MAY NOT APPEAR ON ALL ASSEMBLIES.

5 DIMENSIONS IN BRACKETS ARE IN INCHES.

6 HOUSING FEATURES ARE: CLOSED END WITH LOCKING RAMP.

7 OBSOLETE PARTS: OBSOLETE CIS STREAMLINING PER D.RENAUD/D.SINISI

95.10	[3.744]	24	5-641218-4
91.14	[3.588]	23	5-641218-3
87.17	[3.432]	22	5-641218-2
83.21	[3.276]	21	5-641218-1
79.25	[3.120]	20	5-641218-0
75.29	[2.964]	19	4-641218-9
71.32	[2.808]	18	4-641218-8
67.36	[2.652]	17	4-641218-7
63.40	[2.496]	16	4-641218-6
59.44	[2.340]	15	4-641218-5
55.47	[2.184]	14	4-641218-4
51.51	[2.028]	13	4-641218-3
47.55	[1.872]	12	4-641218-2
43.59	[1.716]	11	4-641218-1
39.62	[1.560]	10	4-641218-0
35.66	[1.404]	9	3-641218-9
31.70	[1.248]	8	3-641218-8
27.74	[1.092]	7	3-641218-7
23.77	[.936]	6	3-641218-6
19.81	[.780]	5	3-641218-5
15.85	[.624]	4	3-641218-4
11.89	[.468]	3	3-641218-3
7.92	[.312]	2	3-641218-2

7	SUPERCEDED BY 5-641218-4	95.10	[3.744]	24	2-641218-4
	SUPERCEDED BY 5-641218-3	91.14	[3.588]	23	2-641218-3
	SUPERCEDED BY 5-641218-2	87.17	[3.432]	22	2-641218-2
	SUPERCEDED BY 5-641218-1	83.21	[3.276]	21	2-641218-1
	SUPERCEDED BY 5-641218-0	79.25	[3.120]	20	2-641218-0
	SUPERCEDED BY 4-641218-9	75.29	[2.964]	19	1-641218-9
	SUPERCEDED BY 4-641218-8	71.32	[2.808]	18	1-641218-8
	SUPERCEDED BY 4-641218-7	67.36	[2.652]	17	1-641218-7
	SUPERCEDED BY 4-641218-6	63.40	[2.496]	16	1-641218-6
	SUPERCEDED BY 4-641218-5	59.44	[2.340]	15	1-641218-5
	SUPERCEDED BY 4-641218-4	55.47	[2.184]	14	1-641218-4
	SUPERCEDED BY 4-641218-3	51.51	[2.028]	13	1-641218-3
	OBSOLETE	47.55	[1.872]	12	1-641218-2
	SUPERCEDED BY 4-641218-1	43.59	[1.716]	11	1-641218-1
	OBSOLETE	39.62	[1.560]	10	1-641218-0
	SUPERCEDED BY 3-641218-9	35.66	[1.404]	9	641218-9
	OBSOLETE	31.70	[1.248]	8	641218-8
	SUPERCEDED BY 3-641218-7	27.74	[1.092]	7	641218-7
	OBSOLETE	23.77	[.936]	6	641218-6
	SUPERCEDED BY 3-641218-5	19.81	[.780]	5	641218-5
	OBSOLETE	15.85	[.624]	4	641218-4
	OBSOLETE	11.89	[.468]	3	641218-3
	OBSOLETE	7.92	[.312]	2	641218-2

DIM A NO OF CIRCUITS PART NO

THIS DRAWING IS A CONTROLLED DOCUMENT.		DWN B. LEWIS 12 FEB 91		
DIMENSIONS: mm [INCHES]		CHK R. SWING 12 FEB 91		
TOLERANCES UNLESS OTHERWISE SPECIFIED:		APVD D. CLARK 20 FEB 91	NAME	
0 PLC ± -	1 PLC ± -	PRODUCT SPEC	MTA-156 CONNECTOR ASSEMBLY, 20 AWG, STANDARD	
2 PLC ± -	3 PLC ± -	108-1051	SIZE	CAGE CODE
4 PLC ± -	ANGLES ± -	114-1020	A2	00779
MATERIAL	FINISH	WEIGHT	DRAWING NO	RESTRICTED TO
1	1	-	C=641218	-
CUSTOMER DRAWING			SCALE	SHEET
			4:1	1 OF 1
			REV	T2

## X-ON Electronics

Largest Supplier of Electrical and Electronic Components

*Click to view similar products for [Headers & Wire Housings](#) category:*

*Click to view products by [TE Connectivity](#) manufacturer:*

Other Similar products are found below :

[95000-104TRLF](#) [10135584-644402LF](#) [DF62W-EP2022PCA](#) [95000-106TRLF](#) [DF62W-2022SCA](#) [DF62W-EP2022PC](#) [2203348](#) [DF62W-2022SC](#) [1084018](#) [1029039](#) [1084017](#) [802-10-012-10-002000](#) [1112640](#) [1112639](#) [000-34000](#) [0009482033](#) [0009507031](#) [57102-S06-03LF](#) [57202-S52-04LF](#) [PCN6-15S-2.5E](#) [0039019024](#) [58102-G61-06LF](#) [582553-1](#) [0009485154](#) [0009508121](#) [0022285053](#) [0050291907](#) [018731A](#) [LY20-4P-DT1-P1E-BR](#) [02.125.8002.8](#) [60101931](#) [60598-1 \(Cut Strip\)](#) [M1625-3R/100](#) [61062-3](#) [61082-181009](#) [636-1427](#) [638009-1](#) [641938-9](#) [641991-4](#) [644168-1](#) [647662-1](#) [65039-019ELF](#) [65817-002LF](#) [65817-015LF](#) [65863-015LF](#) [66207-023LF](#) [67016-026LF](#) [67046-001LF](#) [67095-007LF](#) [67230-005LF](#)