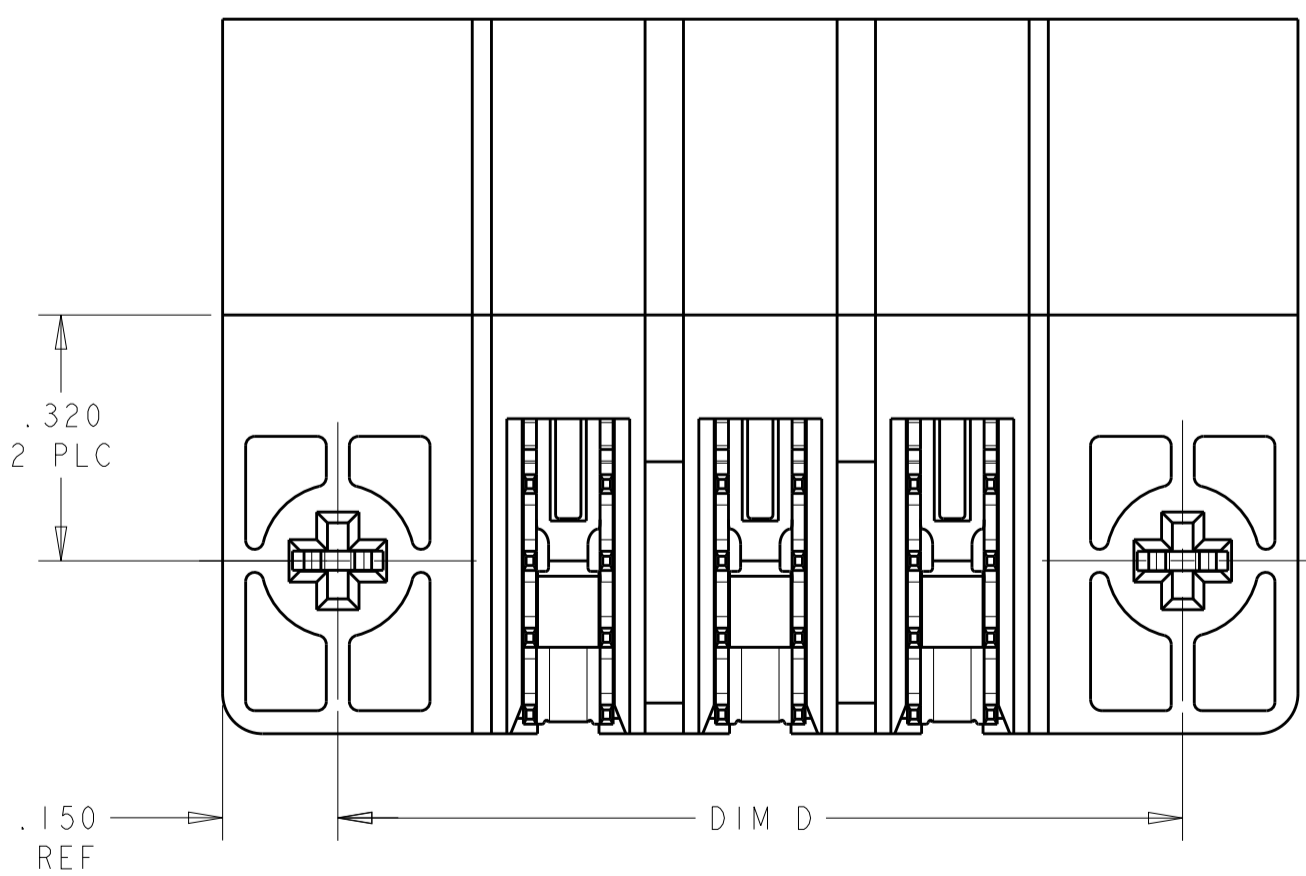
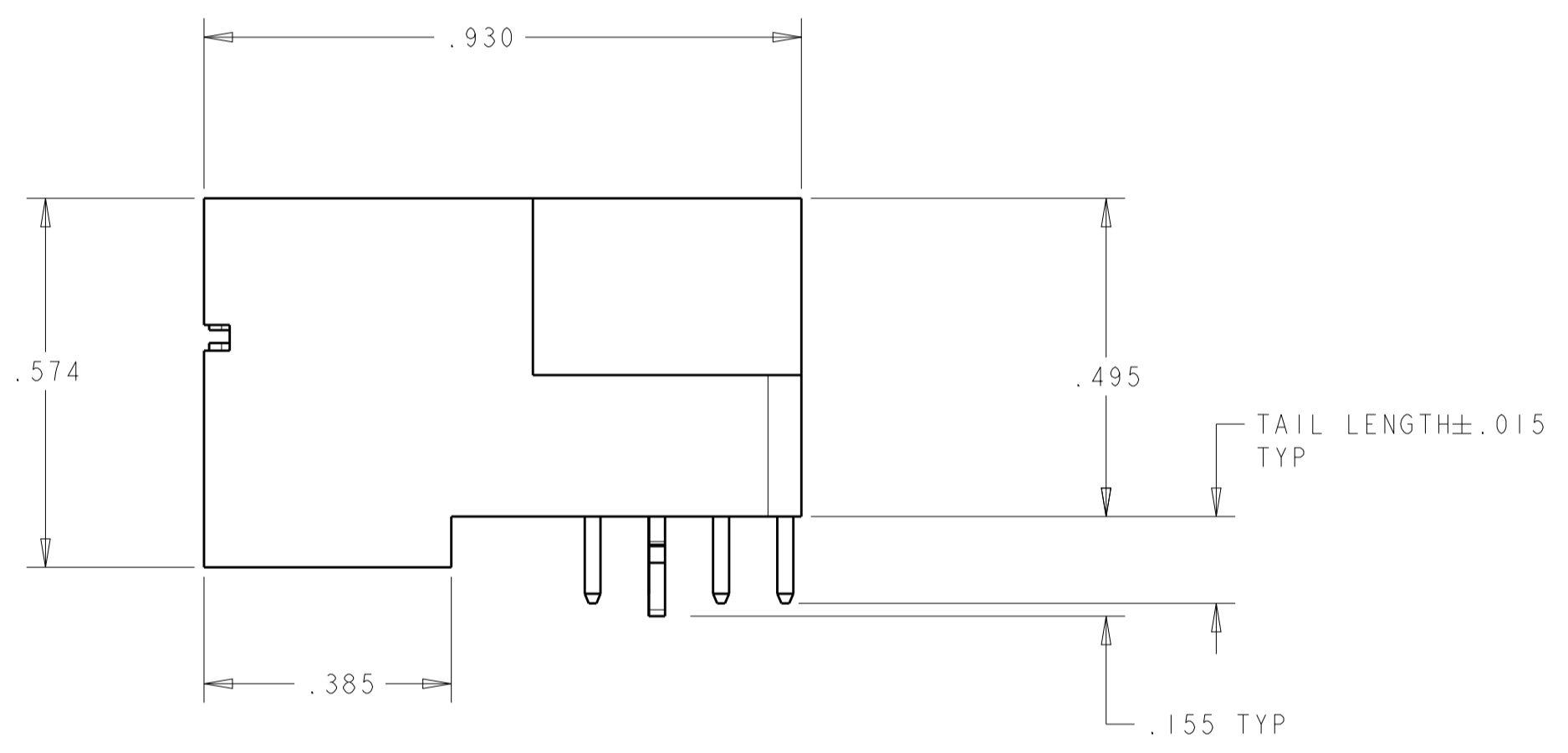
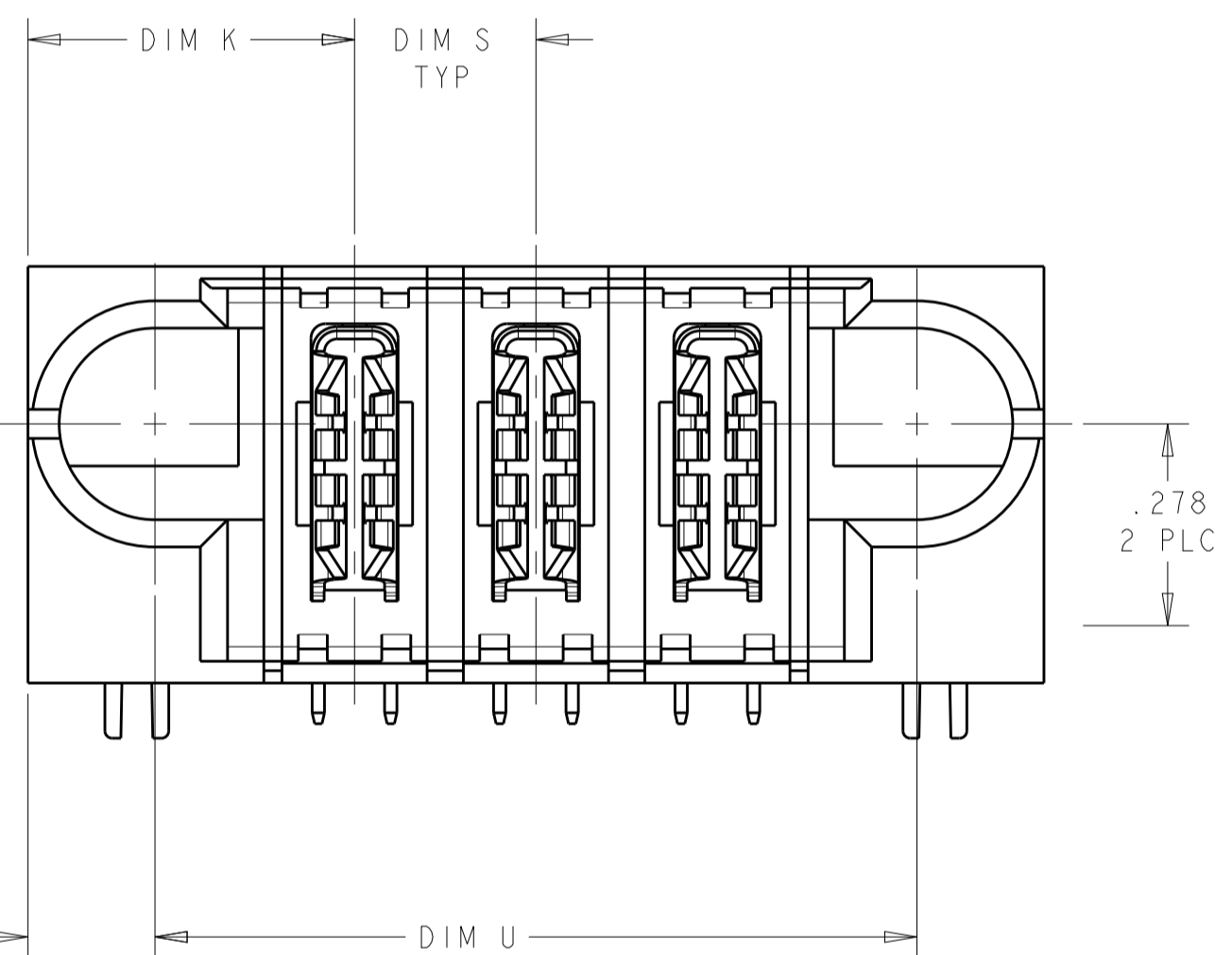
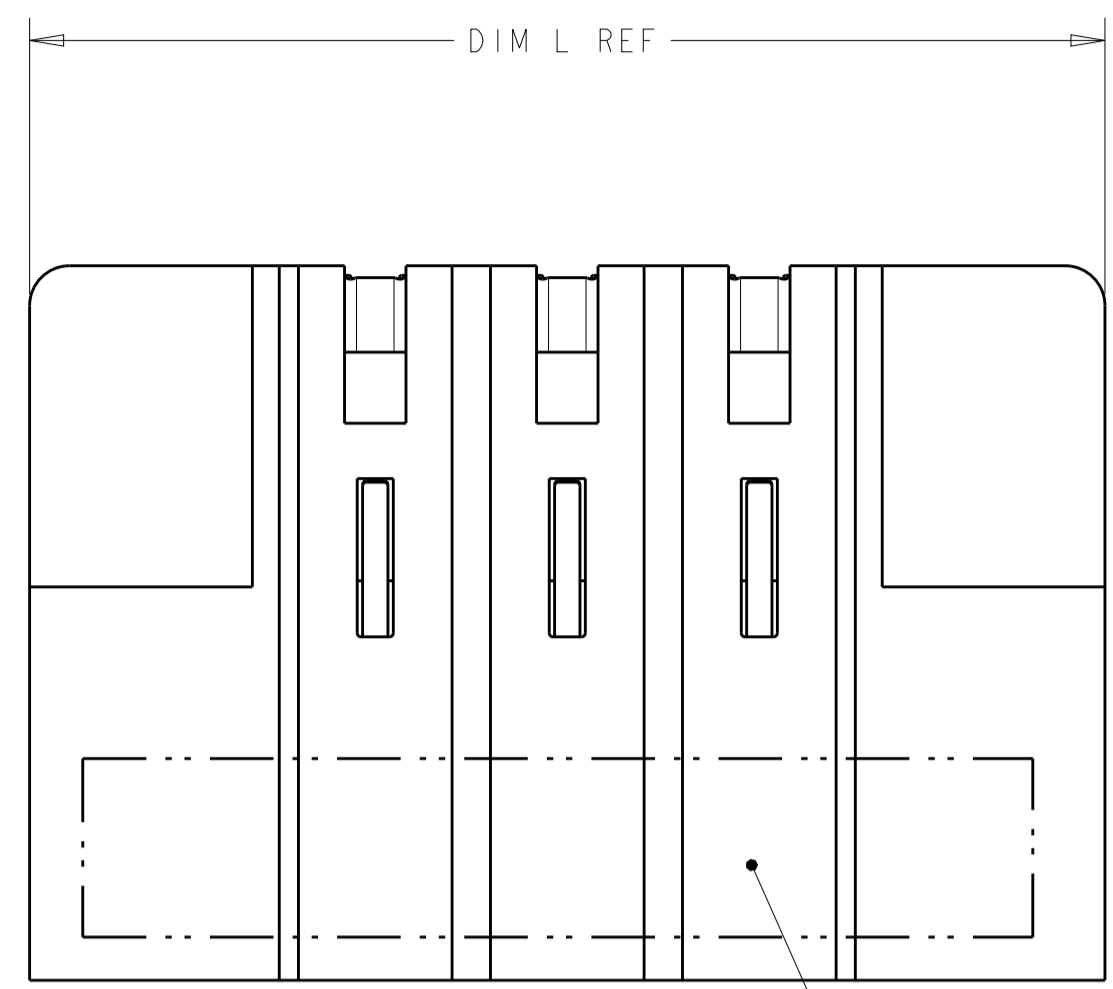


| LOC | | DIST | | REVISIONS | | | |
|-----|----|------|--|-----------|--|--|--|
| | | | | | | | |
| GP | 00 | | | | | | |
| | | | | | | | |
| | | | | | | | |
| | | | | | | | |
| | | | | | | | |
| | | | | | | | |



- 1 "AMP", PART NUMBER, AND DATE CODE TO BE MARKED IN AREA SHOWN.
- 2 MATERIAL: HOUSING - GLASS FILLED HIGH TEMP THERMO PLASTIC, UL94 V-0
POWER CONTACT - HIGH CONDUCTIVITY COPPER ALLOY
- 3 CONTACT PLATING: NOBLE METAL PLATING ON CONTACT FUNCTIONAL AREA OF POWER AND SIGNAL CONTACTS
- 4 MECHANICAL CONNECTOR KEEP OUT ZONE.
- 5 DATUM AND BASIC DIMENSIONS ESTABLISHED BY CUSTOMER.
- 6 PCB- ALL HOLE DIAMETERS ARE FINISHED HOLE SIZES.
- 7 PCB - .0453±.0010 DRILLED HOLES WITH .0003 MIN Sn OVER .001 TO .003 Cu PLATING TO ACHIEVE A .040±.003 DIA HOLE.
- 8 VARIABLE DIMENSIONS SHOWN ON VIEW (SHEET 3)
- 9 FOR DETAIL DIMENSION PLEASE REFER TO TABLE

| | | | | | | |
|-------|-------|-------|-------|-------|-------------|-------------|
| 3.750 | .200 | 3.800 | .450 | 4.100 | 17P | 1-6450123-8 |
| 1.150 | .300 | 1.200 | .450 | 1.500 | 3ACP | 1-6450123-6 |
| 1.725 | .375 | 1.775 | .475 | 2.075 | 4P | 1-6450123-5 |
| 2.700 | .300 | 2.750 | .475 | 3.050 | 8ACP | 1-6450123-4 |
| 1.300 | .200 | 1.350 | .425 | 1.650 | 5HDP | 1-6450123-2 |
| 5.550 | .200 | 5.600 | .450 | 5.900 | 26P | 1-6450123-1 |
| 1.750 | .200 | 1.800 | .450 | 2.100 | 7HDP | 1-6450123-0 |
| 2.300 | .250 | 2.350 | .450 | 2.650 | 8P | 6450123-8 |
| 1.700 | 8 | 1.750 | .425 | 2.050 | 6P | 6450123-7 |
| 1.550 | .250 | 1.600 | .450 | 1.900 | 5P | 6450123-6 |
| 2.050 | .250 | 2.100 | .450 | 2.400 | 7P | 6450123-5 |
| .800 | .250 | .850 | .450 | 1.150 | 2P | 6450123-4 |
| 1.200 | .300 | 1.250 | .475 | 1.550 | 3ACP | 6450123-3 |
| 1.300 | .250 | 1.350 | .450 | 1.650 | 4P | 6450123-2 |
| 1.050 | .250 | 1.100 | .450 | 1.400 | 3P | 6450123-1 |
| DIM U | DIM S | DIM D | DIM K | DIM L | DESCRIPTION | PART NUMBER |

THIS DRAWING IS A CONTROLLED DOCUMENT. DWN: R. GRZYBOWSKI TOFEB05
 CHK: M. PERCHERKE TOFEB05
 APVD: M. PERCHERKE

DIMENSIONS: INCHES
 TOLERANCES UNLESS OTHERWISE SPECIFIED:
 0 PLC ±.01
 1 PLC ±.01
 2 PLC ±.01
 3 PLC ±.005
 4 PLC ±.002
 ANGLES ±.2°
 FINISH: 2, 3

MATERIAL: 2, 3

DATE: 108-1973
 APPLICATION SPEC: 114-13038
 WEIGHT: -

THIS DRAWING IS A CONTROLLED DOCUMENT. DWN: R. GRZYBOWSKI TOFEB05
 CHK: M. PERCHERKE TOFEB05
 APVD: M. PERCHERKE

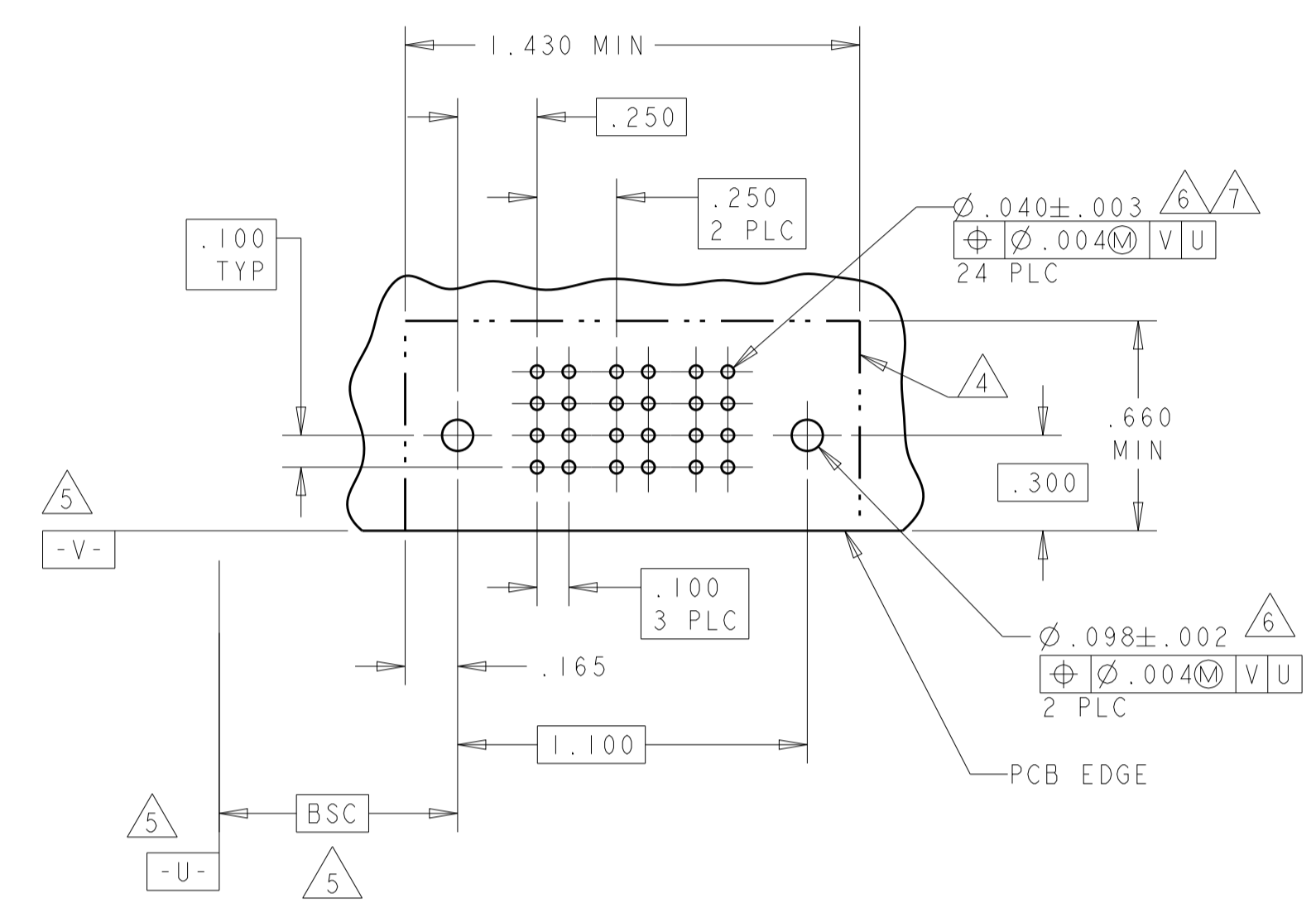
PRODUCT SPEC: 108-1973
 APPLICATION SPEC: 114-13038
 WEIGHT: -

SCALE: 4:1
 SHEET: 1 OF 8
 REV: C6

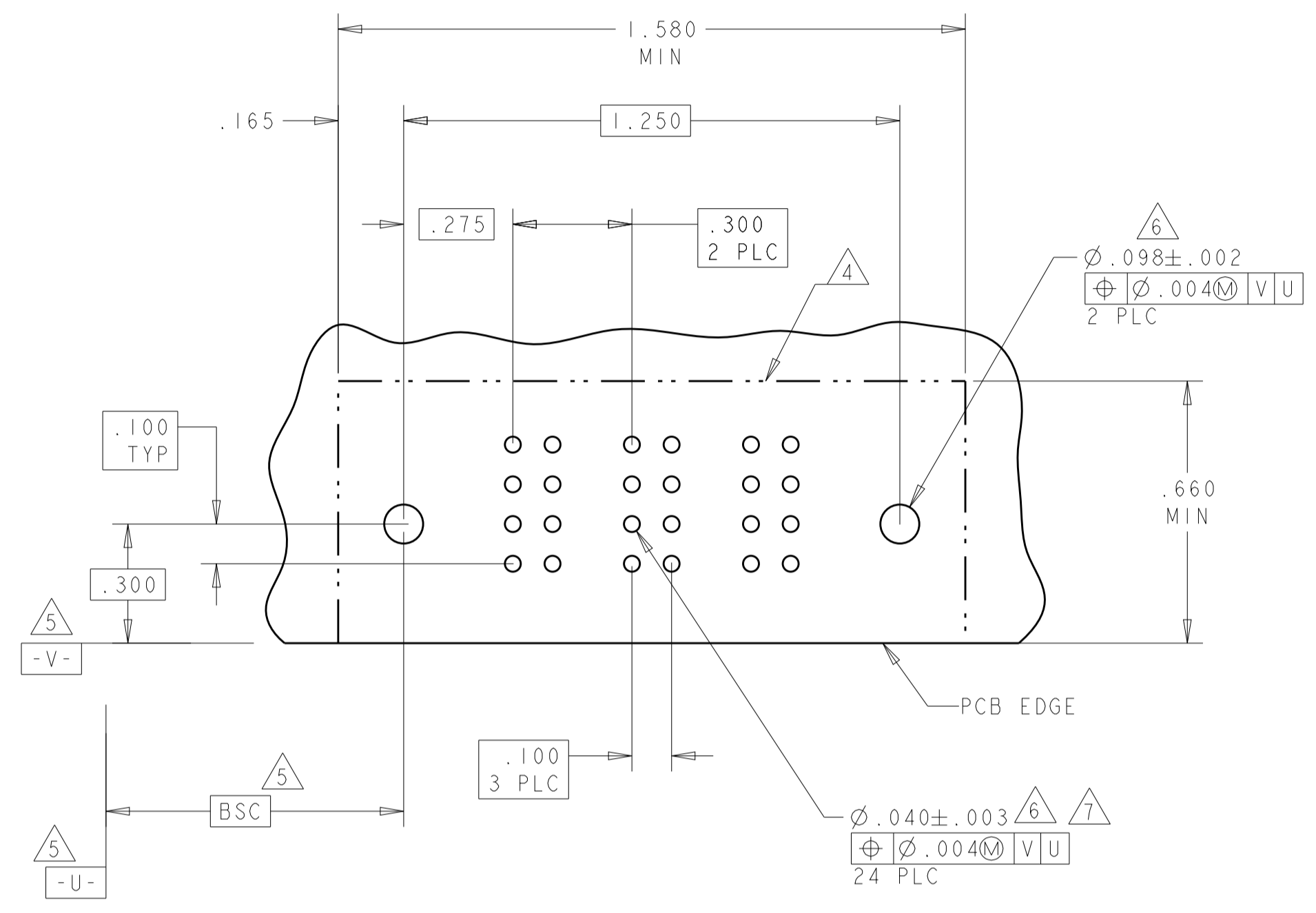
STE TE Connectivity
 RIGHT ANGLE HEADER ASSEMBLY W/GUIDES MULTI-BEAM XL

SIZE: A100779
 CAGE CODE: C=6450123
 CUSTOMER DRAWING

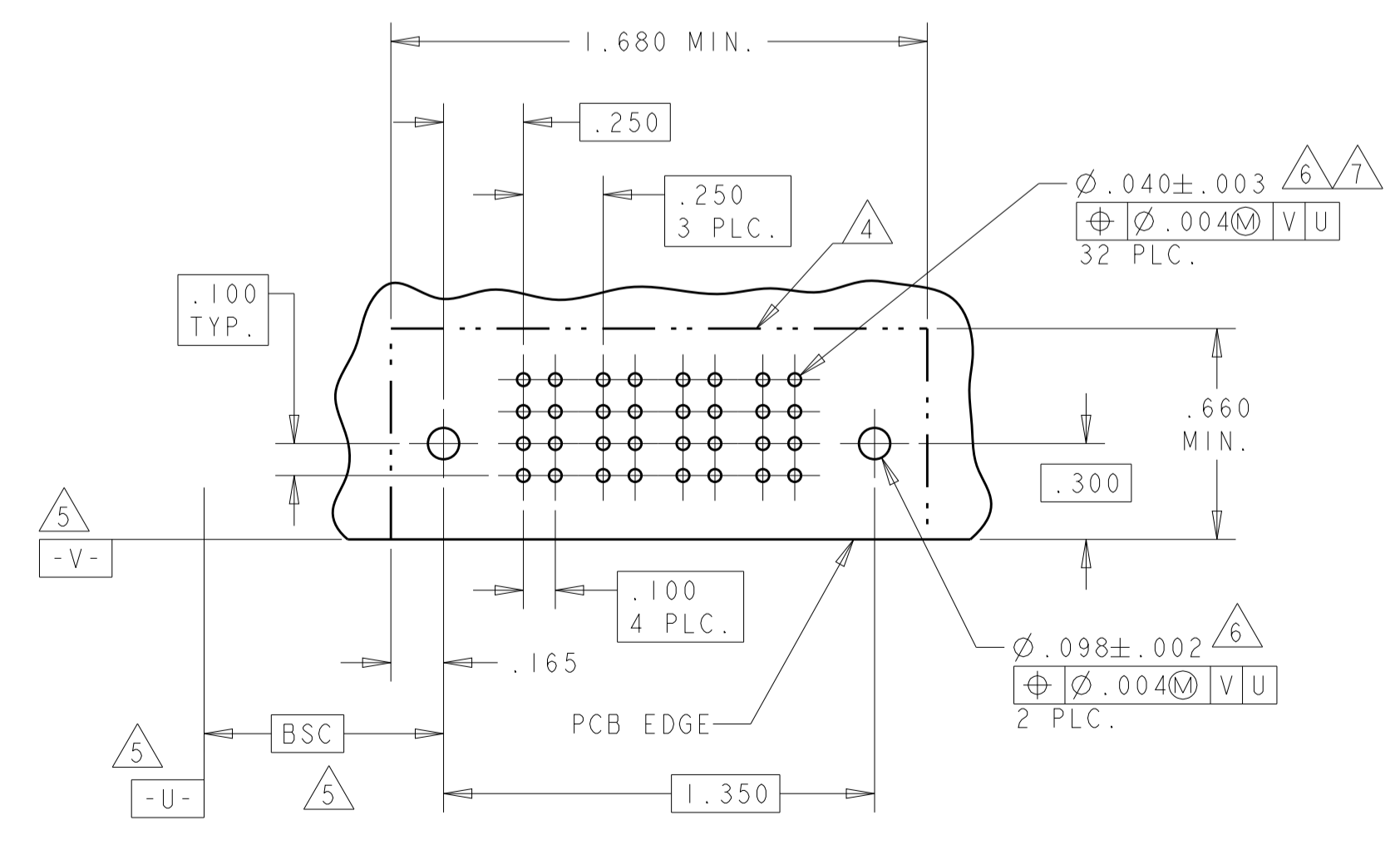
| PART NUMBER | ROWS | POWER | | |
|-------------|------------------|-------|----|----|
| | | P1 | P2 | P3 |
| 6450123-1 | D C B A | PM | PM | PM |
| 3P | | HD | | HD |



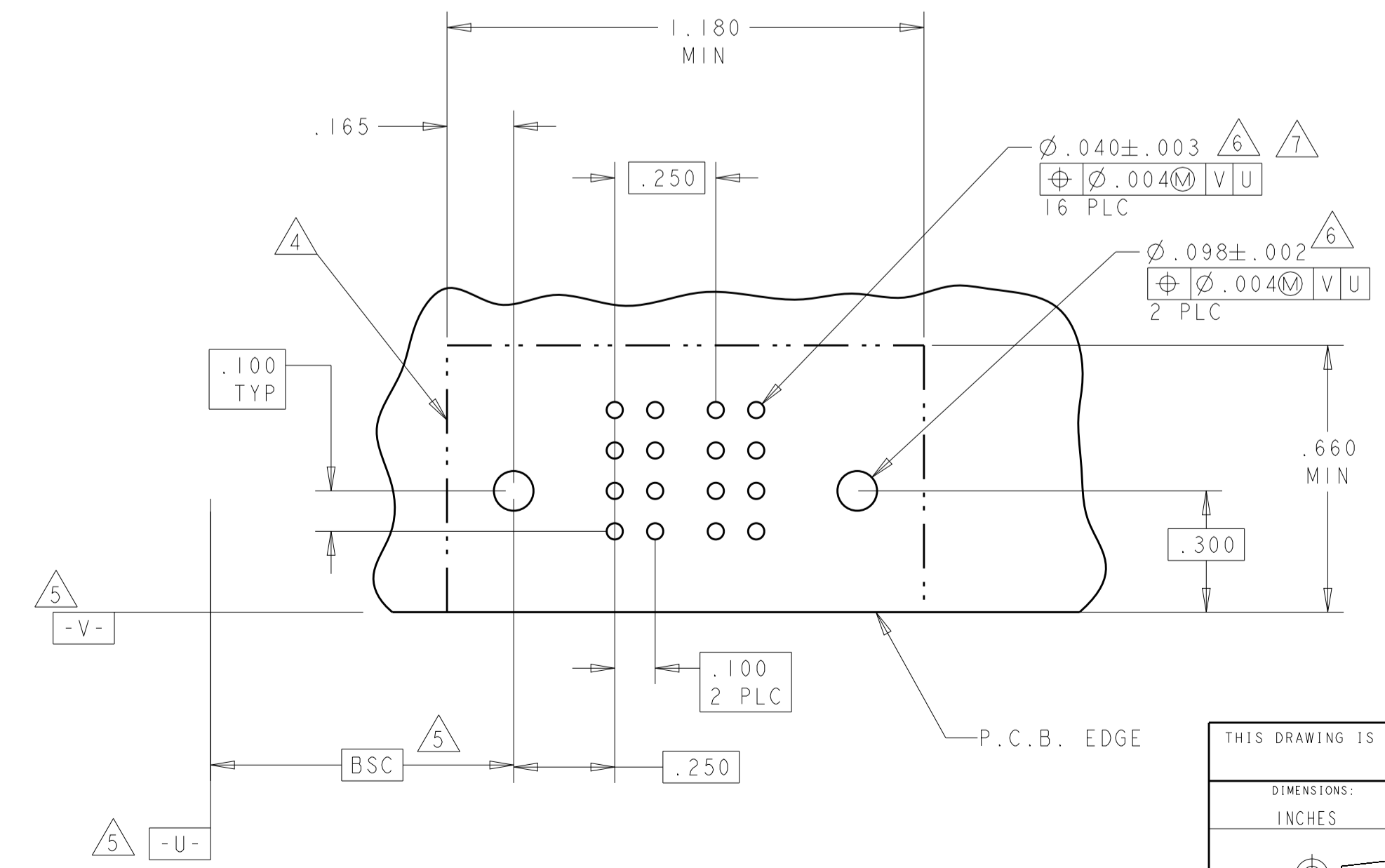
| PART NUMBER | ROWS | POWER | | |
|-------------|------------------|-------|----|----|
| | | P1 | P2 | P3 |
| 6450123-3 | D C B A | PM | PM | PM |
| 3ACP | | HD | | HD |



| PART NUMBER | ROWS | POWER | | | |
|-------------|------------------|-------|----|----|----|
| | | P1 | P2 | P3 | P4 |
| 6450123-2 | D C B A | PM | PM | PM | PM |
| 4P | | HD | | | HD |



| PART NUMBER | ROWS | POWER | |
|-------------|------------------|-------|----|
| | | P1 | P2 |
| 6450123-4 | D C B A | PM | PM |
| 2P | | HD | HD |

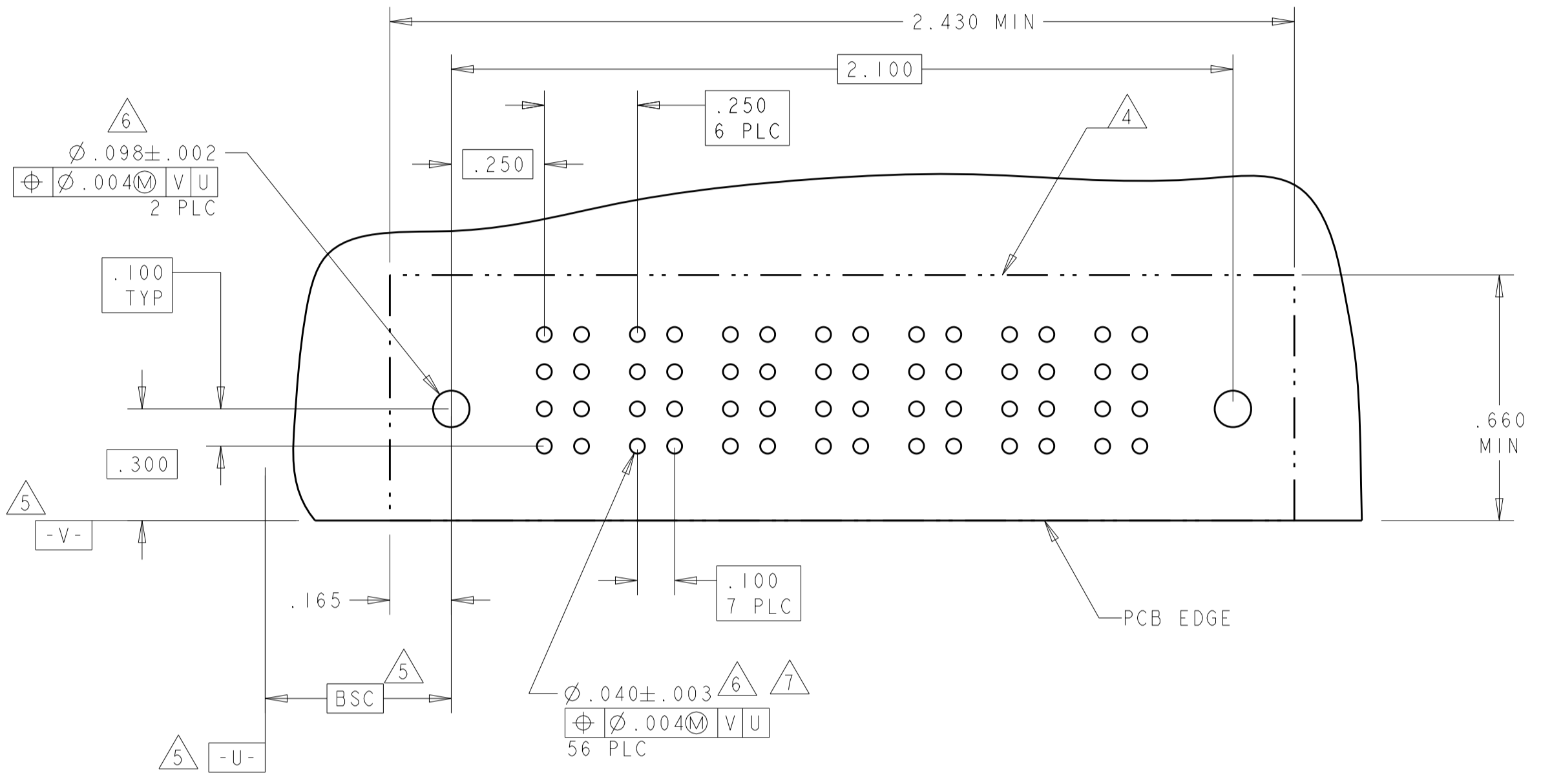


| | |
|---------------|-------------|
| PA | .090 |
| PM | .135 |
| CODE | TAIL LENGTH |
| POWER CONTACT | |

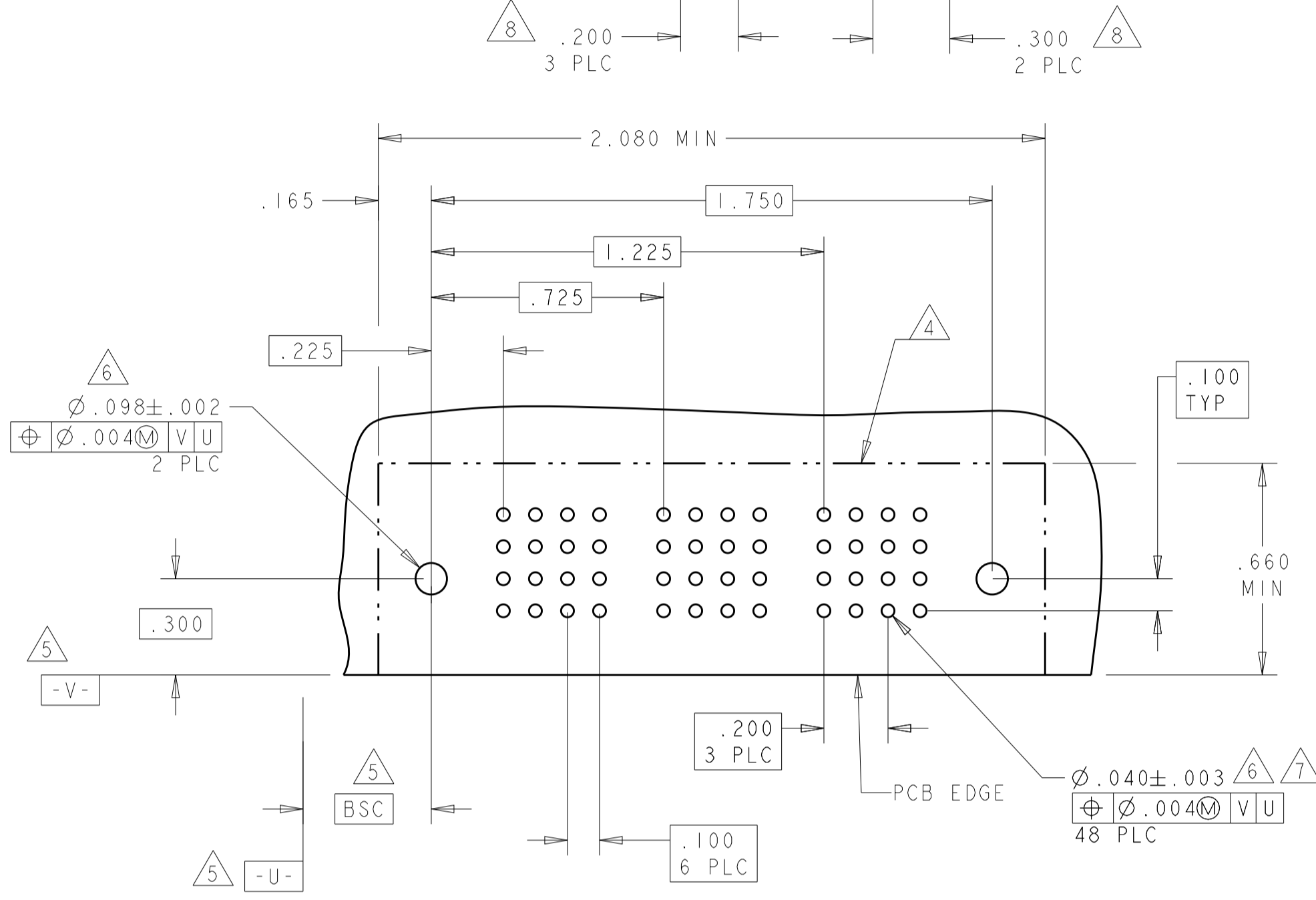
THIS DRAWING IS A CONTROLLED DOCUMENT.

| | | | |
|-------------|--|--------------------|--------------------------------------|
| DIMENSIONS: | TOLERANCES UNLESS OTHERWISE SPECIFIED: | DWN: R. GRZYBOWSKI | TOFEB05 |
| INCHES | 0 PLC ±.01 | CHK: M. PERCHERKE | TOFEB05 |
| | 1 PLC ±.01 | APVD: M. PERCHERKE | |
| | 2 PLC ±.01 | PRODUCT SPEC | RIGHT ANGLE HEADER ASSEMBLY W/GUIDES |
| | 3 PLC ±.005 | APPLICATION SPEC | MULTI-BEAM XL |
| | 4 PLC ±.002 | SIZE | 114-13038 |
| | ANGLES ±.020 | WEIGHT | A100779C=6450123 |
| MATERIAL | FINISH | CUSTOMER DRAWING | SCALE 4:1 SHEET 2 OF 8 REV C6 |

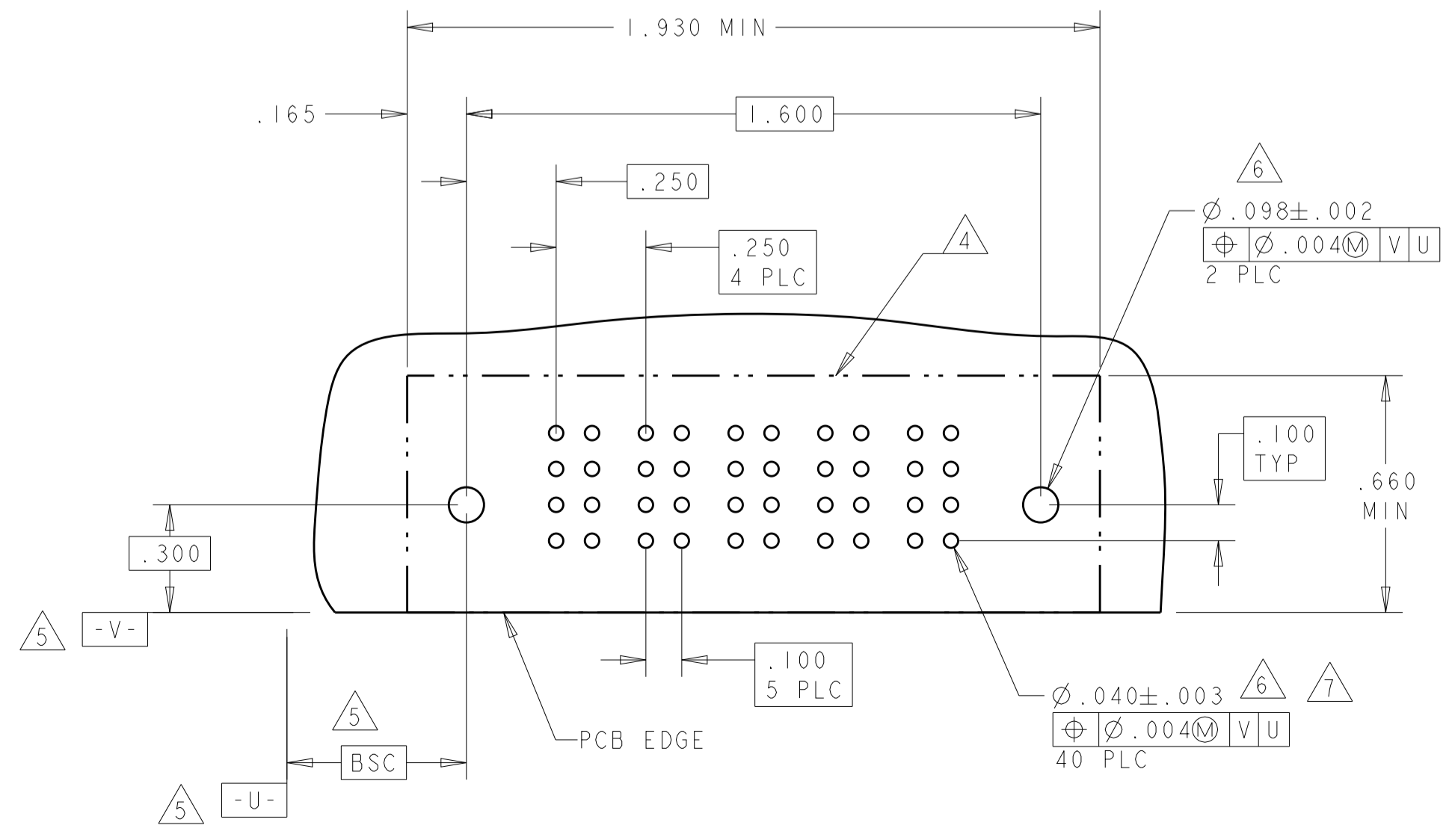
| PART NUMBER | ROWS | POWER | | | | | | |
|-------------|------------------|-------|----|----|----|----|----|----|
| | | P1 | P2 | P3 | P4 | P5 | P6 | P7 |
| 6450123-5 | D C B A | PA | PA | PA | PA | PA | PA | PA |
| 7P | | | | | | | | |



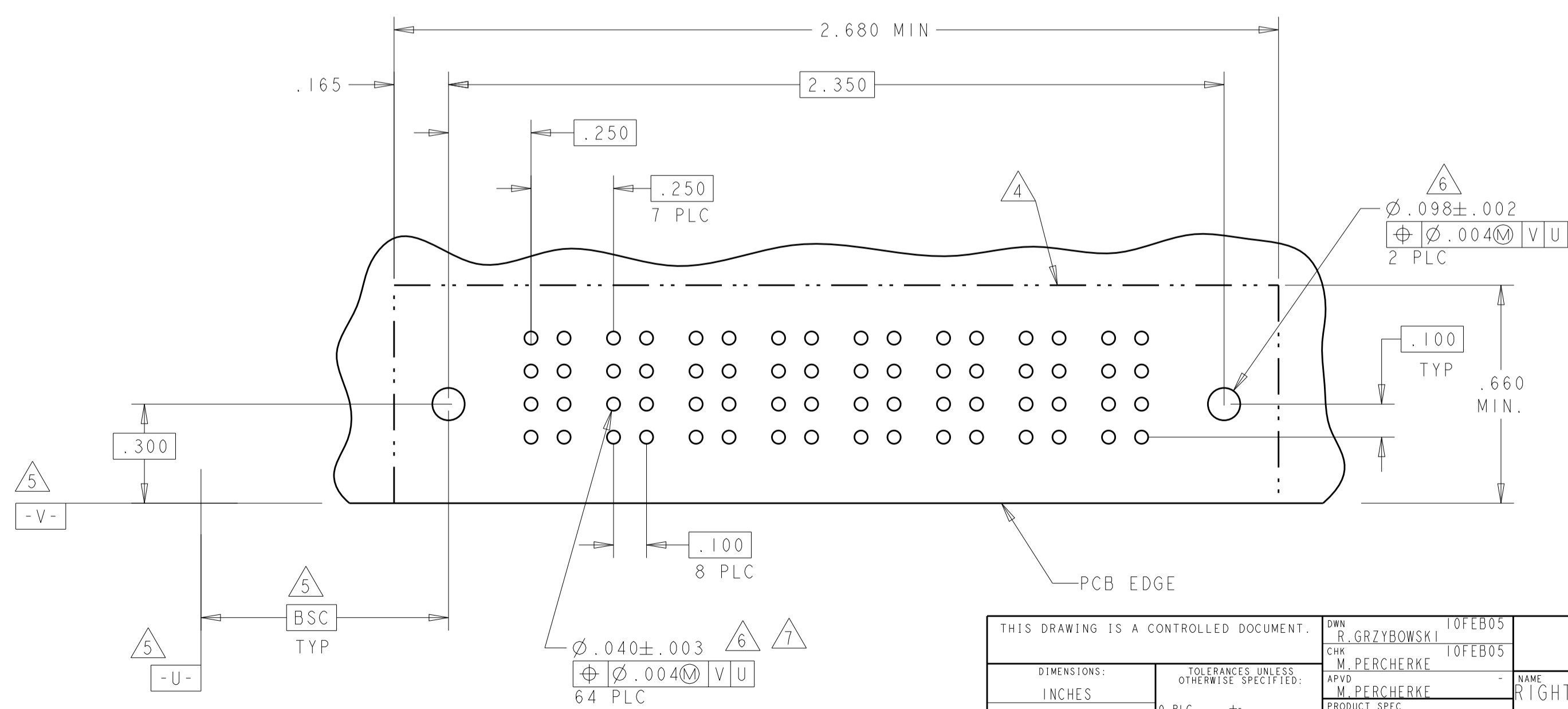
| PART NUMBER | ROWS | POWER | | | | | |
|-------------|------------------|-------|----|----|----|----|----|
| | | P1 | P2 | P3 | P4 | P5 | P6 |
| 6450123-7 | D C B A | PM | PM | PM | PM | PM | PM |
| 6P | | | | | | | |



| PART NUMBER | ROWS | POWER | | | | |
|-------------|------------------|-------|----|----|----|----|
| | | P1 | P2 | P3 | P4 | P5 |
| 6450123-6 | D C B A | PM | PM | PM | PM | PM |
| 5P | | | | | | |



| PART NUMBER | ROWS | POWER | | | | | | | |
|-------------|------------------|-------|----|----|----|----|----|----|----|
| | | P1 | P2 | P3 | P4 | P5 | P6 | P7 | P8 |
| 6450123-8 | D C B A | PM | PM | PM | PM | PM | PM | PM | PM |
| 8P | | | | | | | | | |

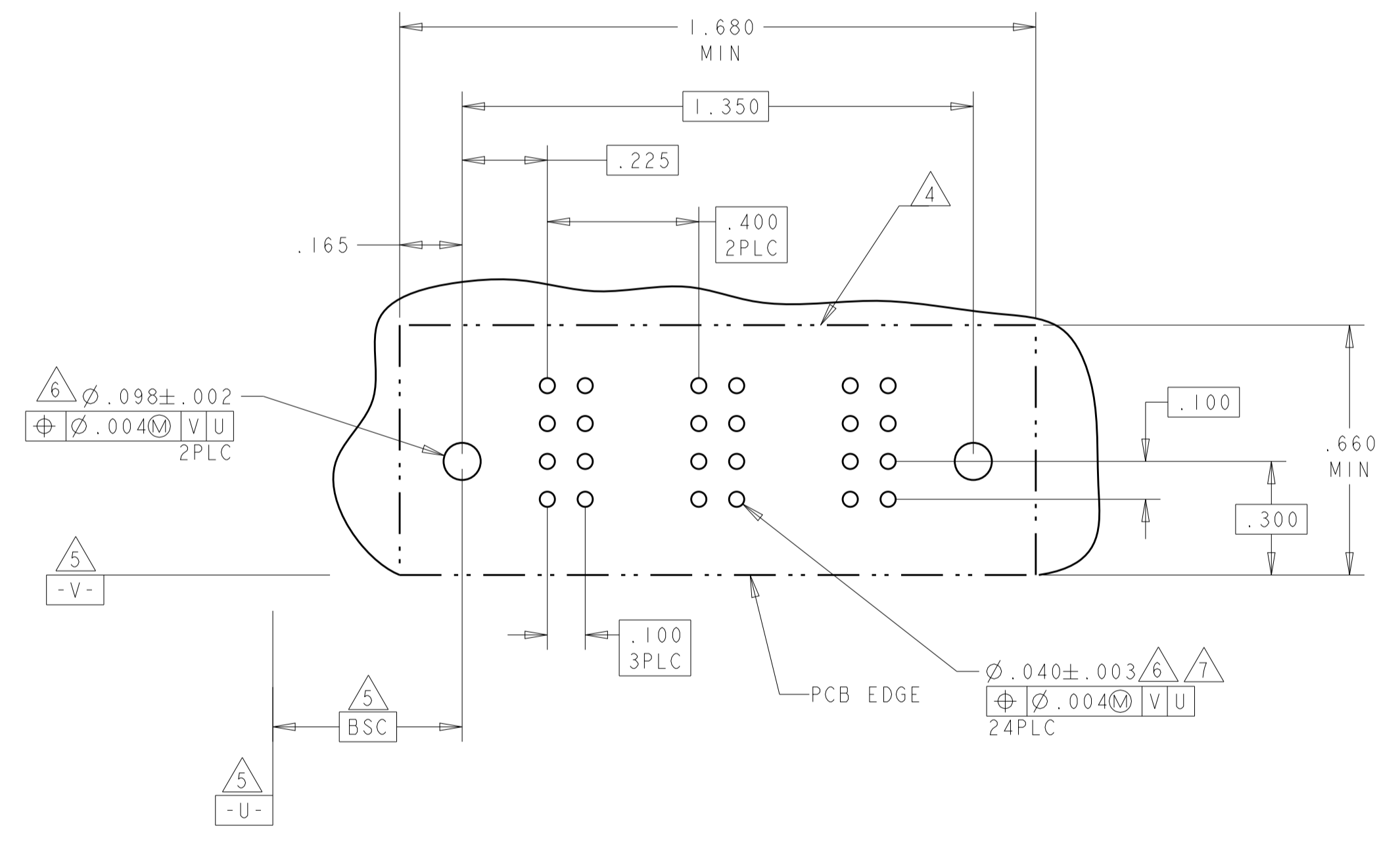
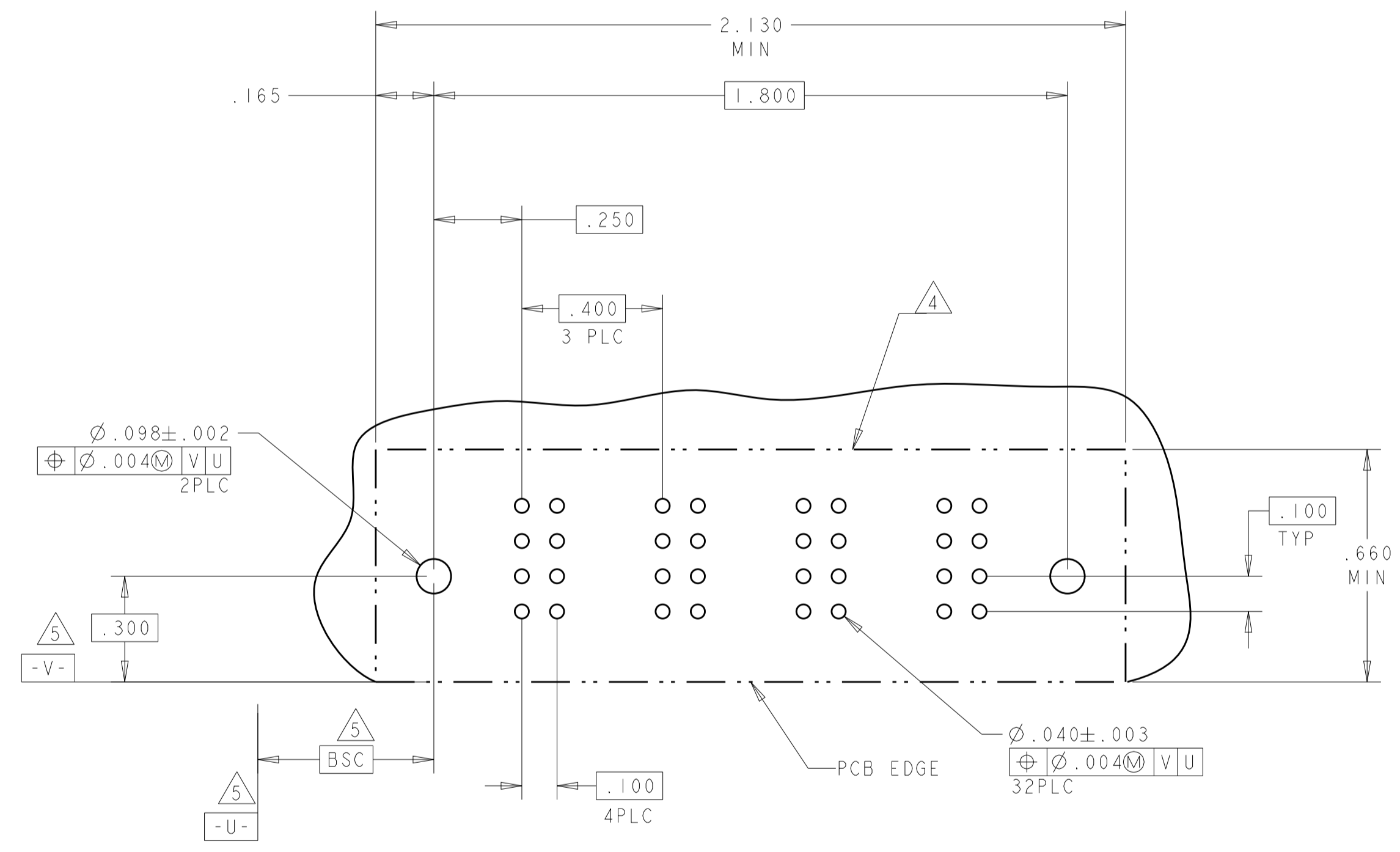
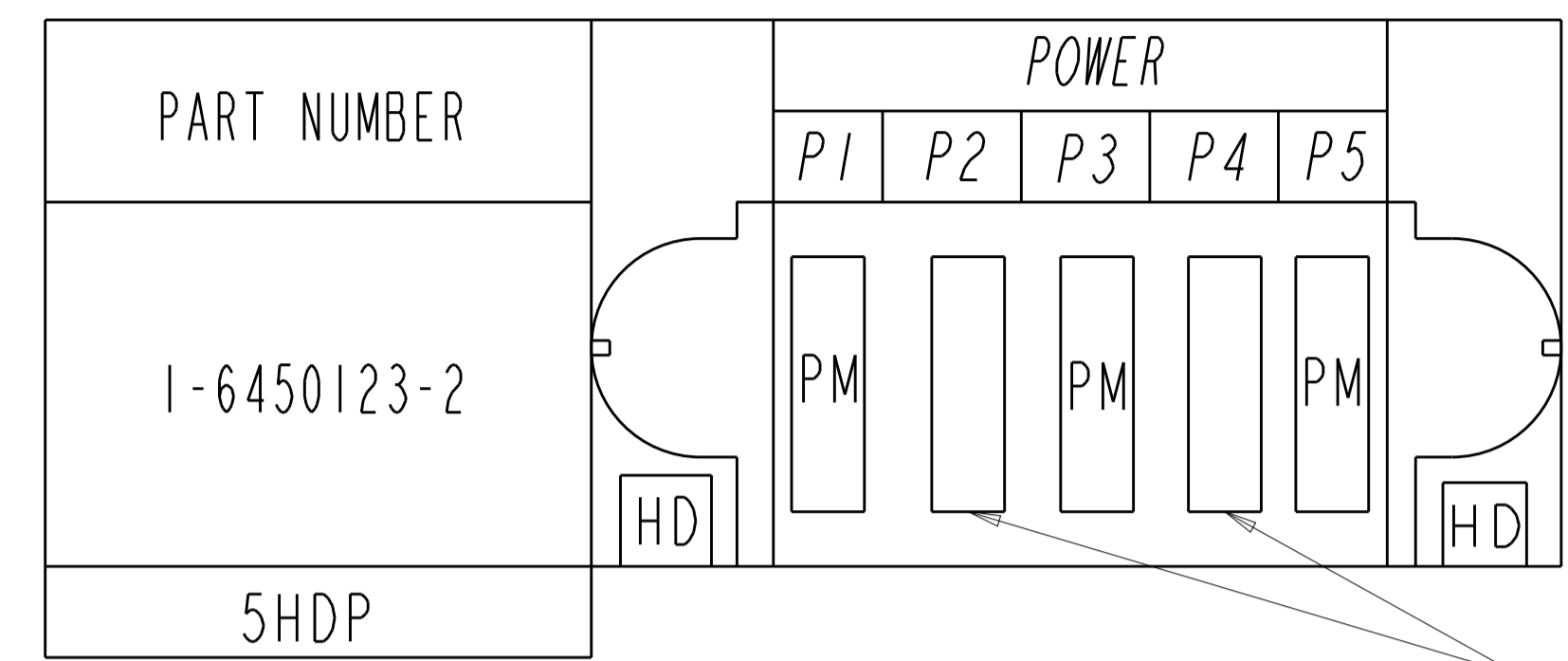
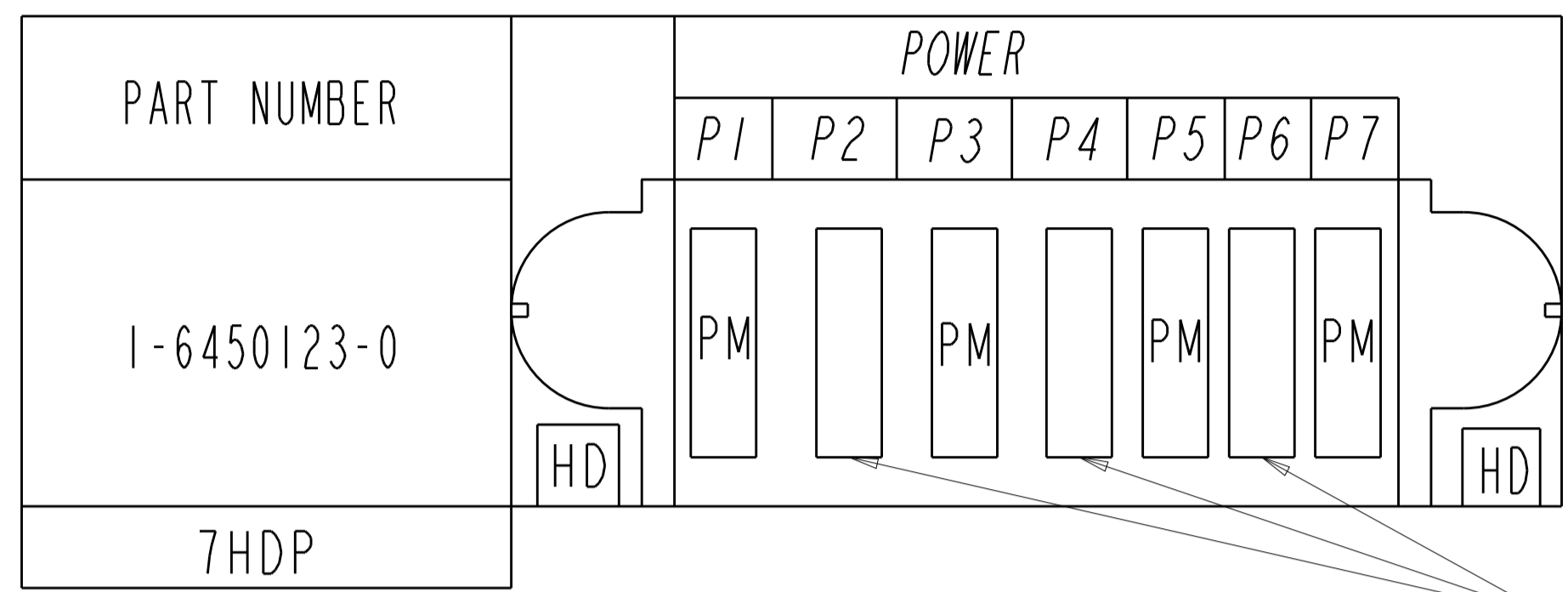


THIS DRAWING IS A CONTROLLED DOCUMENT.

| | | | |
|-------------|--|--|---------------|
| DIMENSIONS: | TOLERANCES UNLESS OTHERWISE SPECIFIED: | OWN: R. GRZYBOWSKI | 10FEB05 |
| INCHES | 0 PLC ± .01 | CHK: M. PERCHERKE | 10FEB05 |
| | 1 PLC ± .01 | APVD: M. PERCHERKE | |
| | 2 PLC ± .01 | NAME: RIGHT ANGLE HEADER ASSEMBLY W/GUIDES | |
| | 3 PLC ± .01 | PRODUCT SPEC: 108-1973 | |
| | 4 PLC ± .01 | APPLICATION SPEC: 114-13038 | |
| | 5 PLC ± .01 | SIZE: A | RESTRICTED TO |
| | 6 PLC ± .01 | SCALE: 4:1 | SHEET 3 OF 8 |
| | 7 PLC ± .01 | REV: C6 | |
| | 8 PLC ± .01 | | |

MATERIAL: FINISH: CUSTOMER DRAWING

| LOC | | DIST | | REVISONS | | | |
|-----|----|------|-----|-------------|------|-----|------|
| GP | 00 | P | LTN | DESCRIPTION | DATE | DMN | APVD |
| - | - | - | - | SEE SHEET 1 | - | - | - |

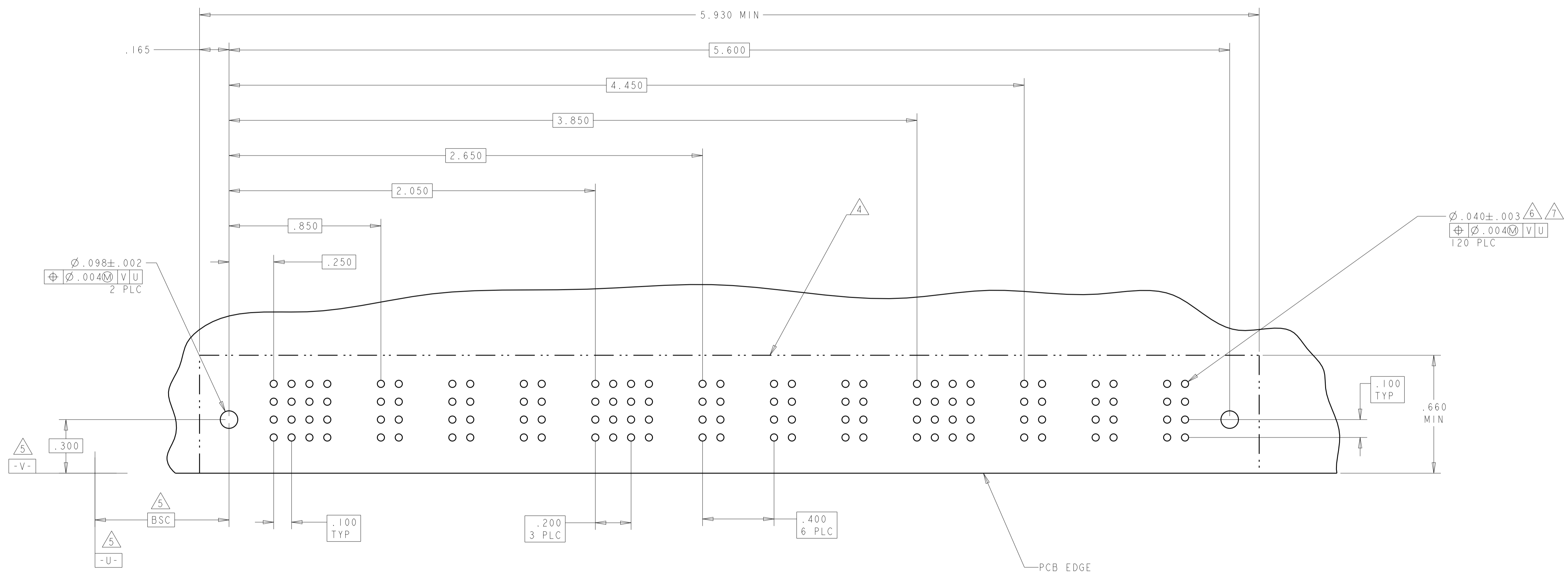


| | | | | | |
|---|--|-------------------|-----------|---|---------------|
| THIS DRAWING IS A CONTROLLED DOCUMENT. | | DMN R. GRZYBOWSKI | 10FEB05 | TE Connectivity | |
| DIMENSIONS: INCHES | | CHK M. PERCHERKE | 10FEB05 | | |
| TOLERANCES UNLESS OTHERWISE SPECIFIED: 0 PLC ± 1 PLC ±.01 2 PLC ±.01 3 PLC ±.005 4 PLC ±.0020 ANGLES ±.2° | | APVD M. PERCHERKE | NAME | RIGHT ANGLE HEADER ASSEMBLY W/GUIDES MULTI-BEAM XL | |
| MATERIAL: - FINISH: - | | PRODUCT SPEC | SIZE | | |
| | | APPLICATION SPEC | CAGE CODE | DRAWING NO | RESTRICTED TO |
| | | WEIGHT | A100779 | C=6450123 | |
| | | CUSTOMER DRAWING | SCALE 4:1 | SHEET 4 OF 8 | REV C6 |

| LOC | DIST | REVISIONS | | | |
|-----|------|-------------|------|-----|------|
| P | LTN | DESCRIPTION | DATE | DMN | APVD |
| GP | 00 | SEE SHEET 1 | - | - | - |
| | | | | | |
| | | | | | |

| PART NUMBER | ROWS | POWER | | | | | | | | | | | | | | | | | | | | | | | | | |
|-------------|------------------|-------|----|----|----|----|----|----|----|----|-----|-----|-----|-----|-----|-----|-----|-----|-----|-----|-----|-----|-----|-----|-----|-----|-----|
| | | P1 | P2 | P3 | P4 | P5 | P6 | P7 | P8 | P9 | P10 | P11 | P12 | P13 | P14 | P15 | P16 | P17 | P18 | P19 | P20 | P21 | P22 | P23 | P24 | P25 | P26 |
| 1-6450123-1 | D C B A | PM | PM | PM | PM | PM | PM | PM | PM | PM | PM | PM | PM | PM | PM | PM | PM | PM | PM | PM | PM | PM | PM | PM | PM | PM | PM |
| 26P | | | | | | | | | | | | | | | | | | | | | | | | | | | |

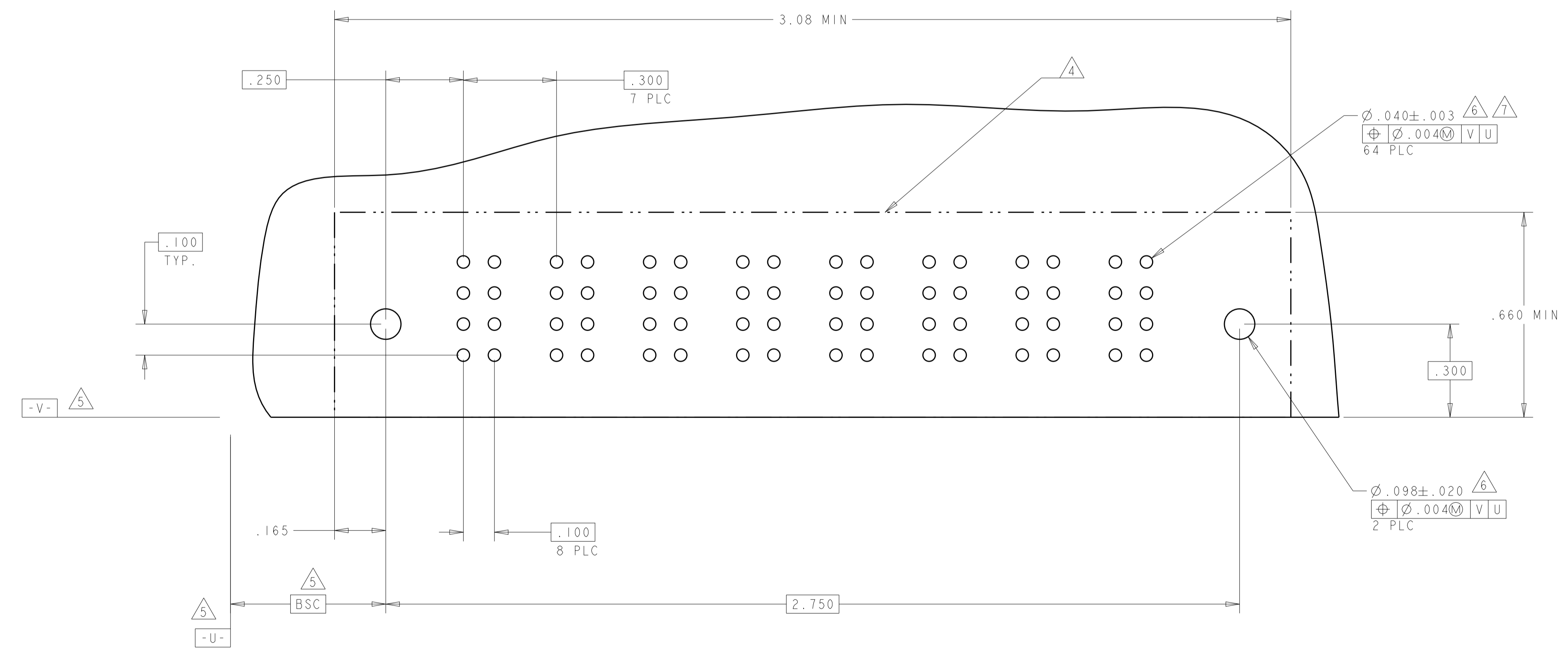
NO CONTACTS LOADED



| | | | | | |
|--|--|----------------------|---------|-------------------------------|---|
| THIS DRAWING IS A CONTROLLED DOCUMENT. | | DMN R. GRZYBOWSKI | 10FEB05 | | TE Connectivity |
| DIMENSIONS: INCHES | | CHK M. PERCHERKE | 10FEB05 | | NAME RIGHT ANGLE HEADER ASSEMBLY W/GUIDES MULTI-BEAM XL |
| TOLERANCES UNLESS OTHERWISE SPECIFIED: | | APVD M. PERCHERKE | | PRODUCT SPEC | |
| 0 PLC ±.01 | | 108-1973 | | APPLICATION SPEC | |
| 1 PLC ±.01 | | 114-13038 | | RESTRICTED TO | |
| 2 PLC ±.005 | | WEIGHT | | A100779C=6450123 | |
| 3 PLC ±.0020 | | CUSTOMER DRAWING | | SCALE 4:1 SHEET 5 OF 8 REV C6 | |
| ANGLES ±.2° | | | | | |
| FINISH | | | | | |

| LOC | DIST | REVISIONS | | | |
|-----|------|-------------|------|-----|------|
| P | LTN | DESCRIPTION | DATE | DMN | APVD |
| - | - | SEE SHEET 1 | - | - | - |
| | | | | | |
| | | | | | |

| PART NUMBER | ROWS | POWER | | | | | | | |
|-------------|------------------|-------|----|----|----|----|----|----|----|
| | | P1 | P2 | P3 | P4 | P5 | P6 | P7 | P8 |
| 1-6450123-4 | D C B A | PM | PM | PM | PM | PM | PM | PM | PM |
| 8P | | HD | | | | | | | HD |

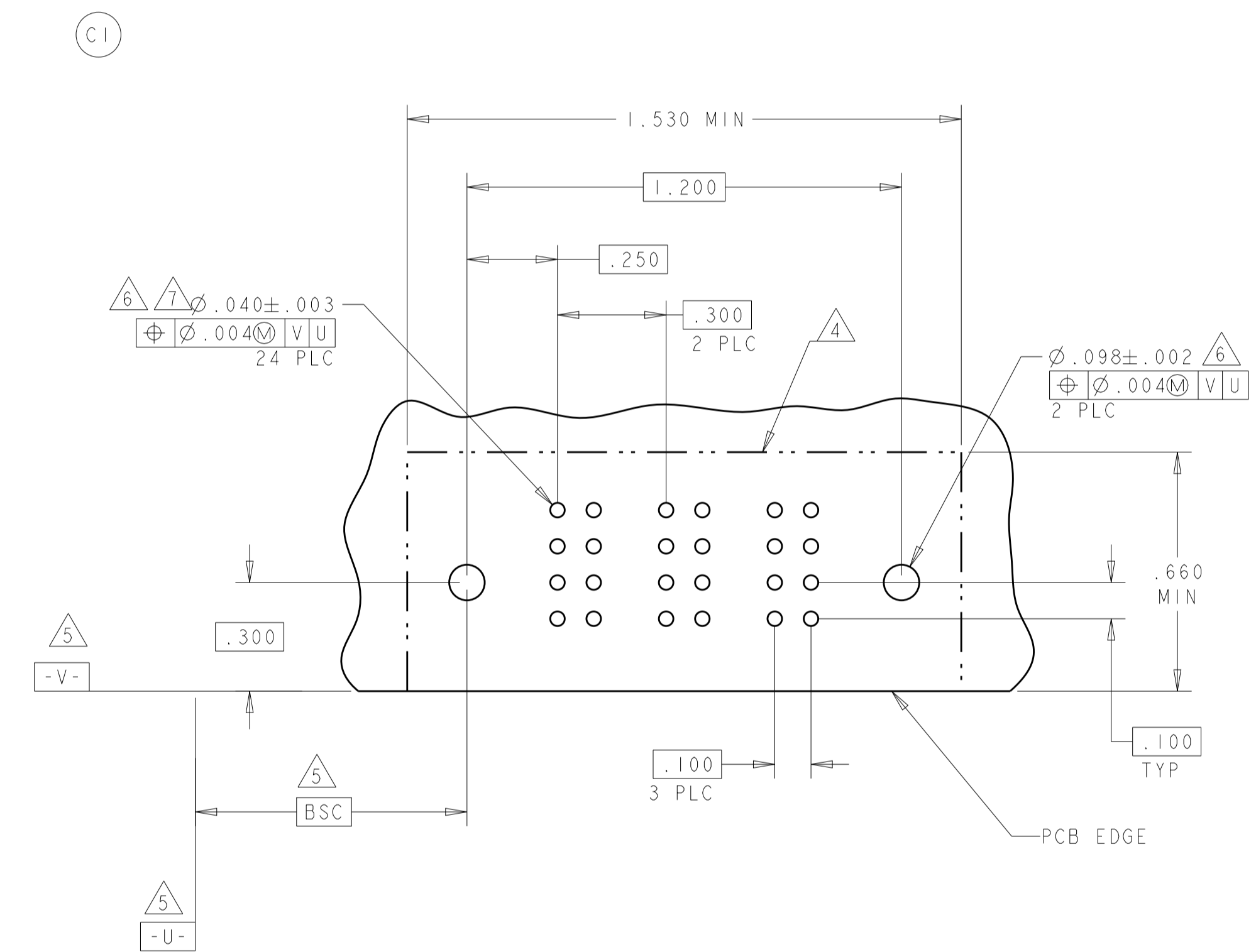
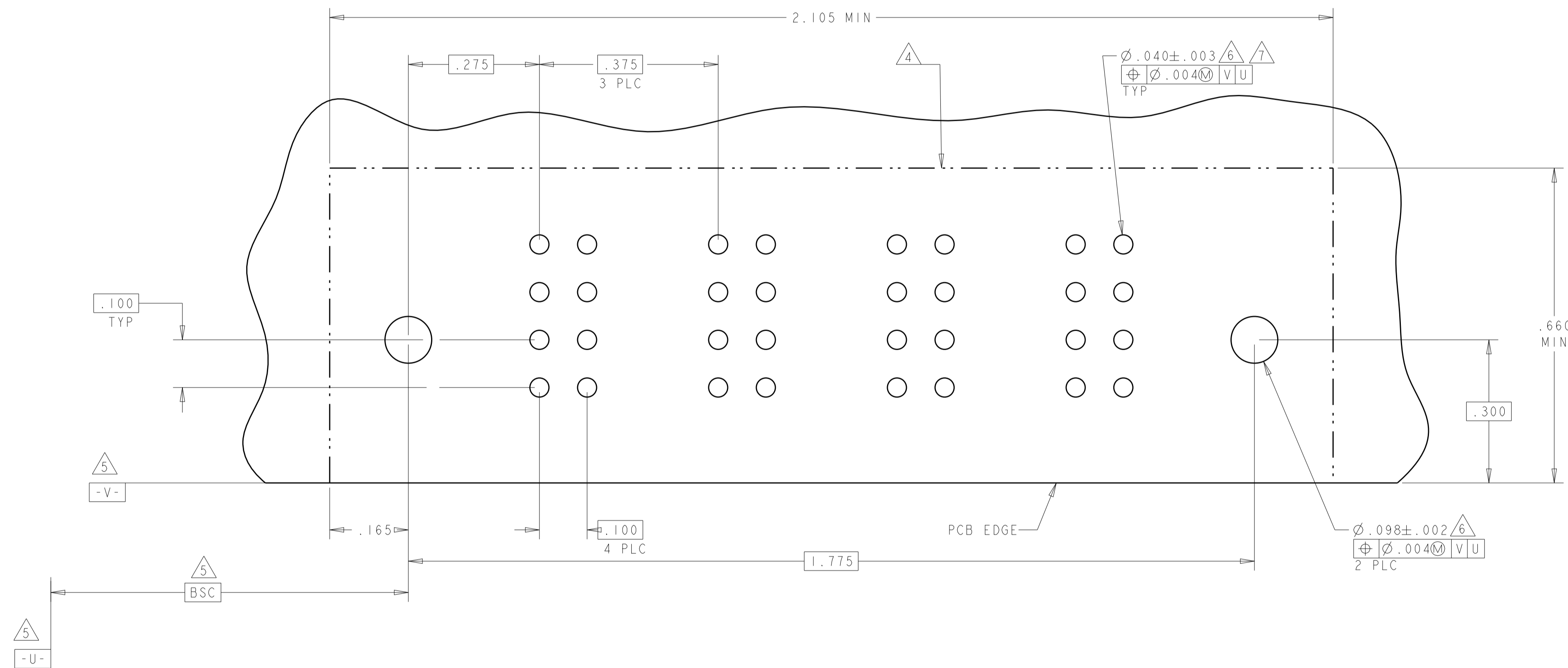


| | | | | |
|--|--|----------------------|-----------|--|
| THIS DRAWING IS A CONTROLLED DOCUMENT. | | DMN R. GRZYBOWSKI | 10FEB05 | STE TE Connectivity |
| DIMENSIONS: INCHES | | CHK M. PERCHERKE | 10FEB05 | |
| TOLERANCES UNLESS OTHERWISE SPECIFIED: | | APVD M. PERCHERKE | NAME | RIGHT ANGLE HEADER ASSEMBLY W/GUIDES MULTI-BEAM XL |
| 0 PLC ±.01 | | PRODUCT SPEC | 108-1973 | |
| 1 PLC ±.01 | | APPLICATION SPEC | 114-13038 | |
| 2 PLC ±.005 | | SIZE | CAGE CODE | DRAWING NO |
| 3 PLC ±.0020 | | RESTRICTED TO | A100779 | C=6450123 |
| 4 PLC ±.0020 | | WEIGHT | | |
| ANGLES ±.2° | | CUSTOMER DRAWING | SCALE | 4:1 |
| FINISH | | SHEET | 6 | OF |
| | | REV | 8 | C6 |

| LOC | DIST | REVISIONS | | | |
|-----|------|-------------|------|-----|------|
| P | LTN | DESCRIPTION | DATE | DMN | APVD |
| - | - | SEE SHEET 1 | - | - | - |

| PART NUMBER | ROWS | POWER | | | |
|-------------|------------------|-------|----|----|----|
| | | P1 | P2 | P3 | P4 |
| 1-6450123-5 | D C B A | PM | PM | PM | PM |
| 4P | | HD | | | HD |

| PART NUMBER | ROWS | POWER | | |
|-------------|------------------|-------|----|----|
| | | P1 | P2 | P3 |
| 1-6450123-6 | D C B A | PM | PM | PM |
| 3ACP | | HD | | HD |

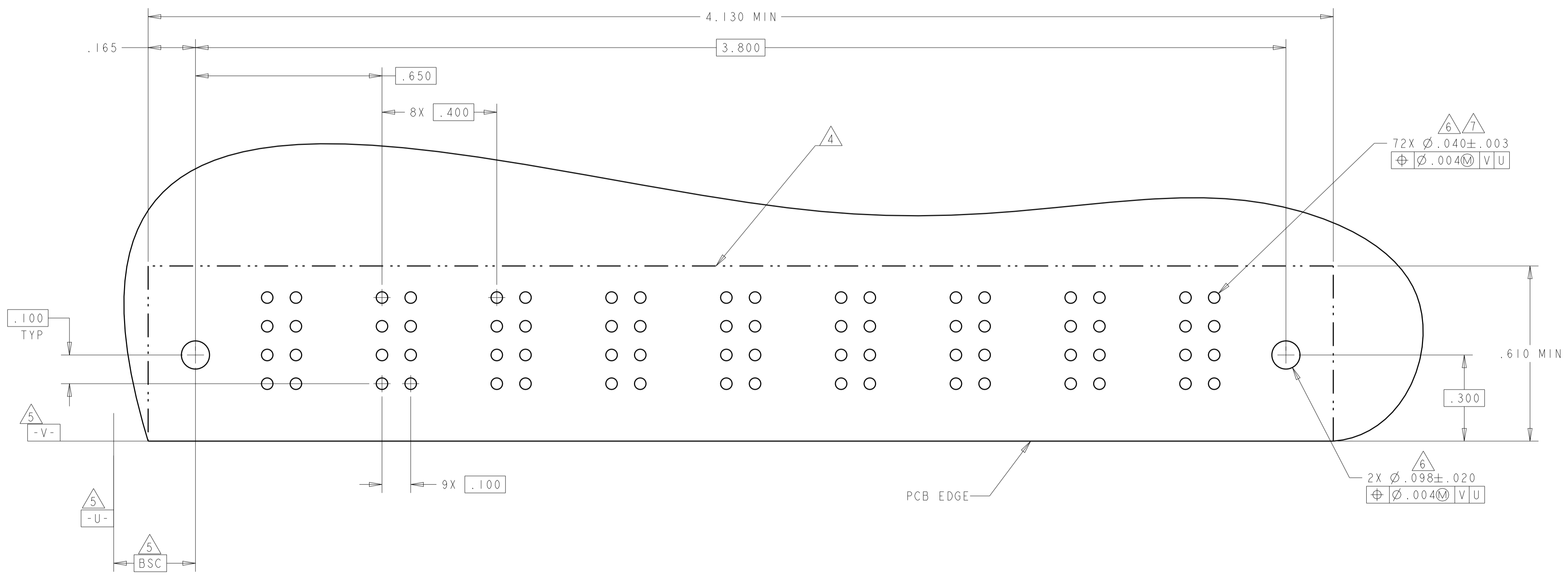
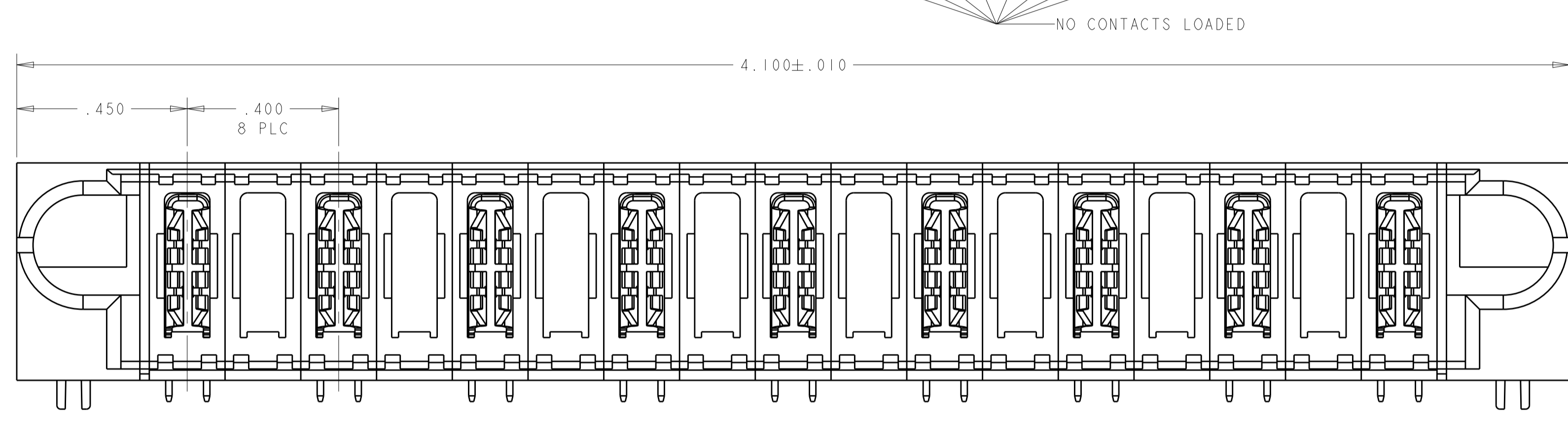


| | | | | |
|---|--|--|--|--|
| THIS DRAWING IS A CONTROLLED DOCUMENT. | | DMN: R. GRZYBOWSKI | TOFEB05 | TE Connectivity |
| DIMENSIONS: INCHES | | CHK: M. PERCHERKE | TOFEB05 | |
| TOLERANCES UNLESS OTHERWISE SPECIFIED: | | APVD: M. PERCHERKE | NAME: RIGHT ANGLE HEADER ASSEMBLY W/GUIDES MULTI-BEAM XL | PRODUCT SPEC: 108-1973 APPLICATION SPEC: 114-13038 WEIGHT: - CUSTOMER DRAWING |
| 0 PLC ±. 1 PLC ±.01 2 PLC ±.005 3 PLC ±.0020 4 PLC ±. ANGLES ±.020 FINISH | | PRODUCT SPEC: 108-1973 APPLICATION SPEC: 114-13038 WEIGHT: - CUSTOMER DRAWING | SIZE: A1 CAGE CODE: 100779 DRAWING NO: C=6450123 | |
| MATERIAL: - | | SCALE: 4:1 | | RESTRICTED TO: - |
| 4805 (3/11) | | SHEET 7 OF 8 | | REV: C6 |

| LOC | DIST | REVISIONS | | | |
|-----|------|-------------|------|-----|------|
| P | LTN | DESCRIPTION | DATE | DWN | APVD |
| - | - | SEE SHEET 1 | - | - | - |

| PART NUMBER | ROWS | POWER | | | | | | | | | | | | | | | | |
|-------------|------------------|-------|----|----|----|----|----|----|----|----|-----|-----|-----|-----|-----|-----|-----|-----|
| | | P1 | P2 | P3 | P4 | P5 | P6 | P7 | P8 | P9 | P10 | P11 | P12 | P13 | P14 | P15 | P16 | P17 |
| I-6450123-8 | D C B A | PM | | | | | | | | | | | | | | | | |
| | | HD | | | | | | | | | | | | | | | | |
| 17P | | | | | | | | | | | | | | | | | | |

FOR PART I-6450123-8 MAX OPERATING VOLTAGE: 480VAC AND WITHSTAND HOT PLUG WITH 480VAC 0.1A



| | | | | | |
|--|--|----------------------|---------|-------------------------------|---|
| THIS DRAWING IS A CONTROLLED DOCUMENT. | | DWN R. GRZYBOWSKI | 10FEB05 | | TE Connectivity |
| DIMENSIONS: INCHES | | CHK M. PERCHERKE | 10FEB05 | | NAME RIGHT ANGLE HEADER ASSEMBLY W/GUIDES MULTI-BEAM XL |
| TOLERANCES UNLESS OTHERWISE SPECIFIED: | | APVD M. PERCHERKE | | PRODUCT SPEC | |
| 0 PLC ± | | 108-1973 | | APPLICATION SPEC | |
| 1 PLC ±.01 | | 114-13038 | | RESTRICTED TO | |
| 2 PLC ±.01 | | A100779C=6450123 | | SCALE 4:1 SHEET 8 OF 8 REV C6 | |
| 3 PLC ±.005 | | CUSTOMER DRAWING | | | |
| 4 PLC ±.0020 | | | | | |
| ANGLES ±.2° | | | | | |
| FINISH | | | | | |

X-ON Electronics

Largest Supplier of Electrical and Electronic Components

Click to view similar products for [Power to the Board](#) category:

Click to view products by [TE Connectivity](#) manufacturer:

Other Similar products are found below :

[10131318-08512GRLF](#) [6450171-4](#) [6450552-7](#) [6600323-8](#) [6643429-1](#) [6646040-2](#) [6651939-1](#) [6766604-1](#) [120959-1](#) [1393557-2](#) [1393532-2](#)
[1393532-3](#) [1393532-4](#) [1393557-1](#) [1600812-5](#) [1-6450861-2](#) [1645595-1](#) [1743490-1](#) [1744132-7](#) [1761122-1](#) [1766169-1](#) [1766250-1](#) [18362](#)
[1892109-1](#) [1-967627-6](#) [2226808-1](#) [2-6450860-5](#) [2-6450860-6](#) [2-6450870-0](#) [93003-0502](#) [953552-1](#) [1-6450161-4](#) [1-6450850-6](#) [1645526-2](#) [1-](#)
[6600130-0](#) [1743419-1](#) [1766150-1](#) [2005243-2](#) [211110-1](#) [2-6600130-2](#) [TE34-12-16P-F0](#) [5-6450830-6](#) [5646956-4](#) [36662-0005](#) [40585-3000](#) [4-](#)
[6450830-9](#) [4-6600333-3](#) [51142-0214](#) [10134048-911LF](#) [10130248-005LF](#)