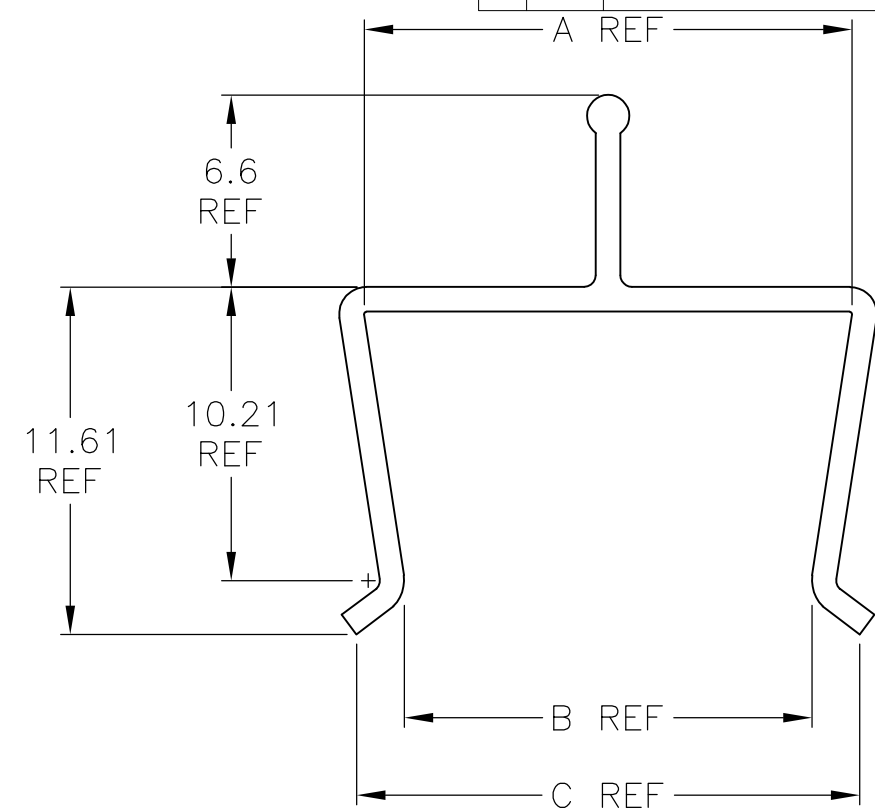
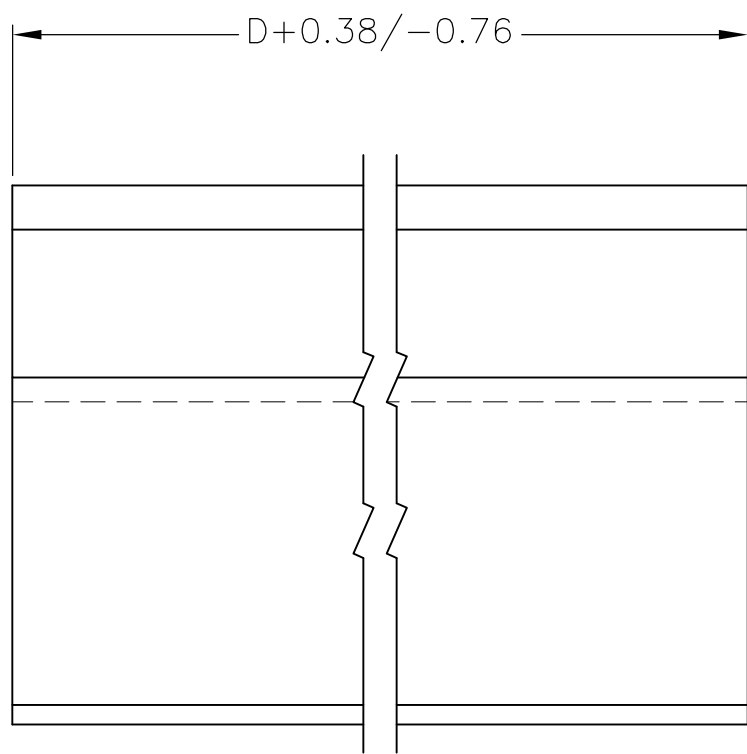


THIS DRAWING IS UNPUBLISHED. RELEASED FOR PUBLICATION
 © COPYRIGHT - BY TYCO ELECTRONICS CORPORATION. ALL RIGHTS RESERVED.

LOC	DIST	REVISIONS			
P	LTR	DESCRIPTION	DATE	DWN	APVD
AD	00				
	H	REVISED PER ECO-08-015436	14JUL08	DH	JE
	H1	REVISED PER ECO-10-000443	16JAN10	KK	AEG
	J	ECR-10-018652	10SEP10	SW	MQW



	1 TYPE "D" OR "E"	92.00	22.630	19.38	22.10	1-646502-2
	1 TYPE "D" OR "E"	30.00	22.63	19.38	22.10	1-646502-1
	2 PAIR R/A HMzd	74.93	22.63	19.38	22.10	1-646502-0
	3 PAIR HMzd	100.08	20.22	16.97	19.69	646502-9
3	OBSOLETE 8 TYPE "D" OR "E"	394.00	22.63	19.38	22.10	646502-8
	6U CARD	227.13	16.64	13.46	16.13	646502-7
	3U CARD	93.73	16.64	13.46	16.13	646502-6
3	OBSOLETE 4 TYPE "A" OR "B" STACKED	198.63	16.64	13.46	16.13	646502-5
	1 TYPE "F"	23.97	22.63	19.38	22.10	2 646502-4
3	OBSOLETE 1 TYPE "C"	23.97	16.64	13.46	16.13	646502-3
	1 TYPE "D" OR "E"	49.23	22.63	19.38	22.10	646502-2
	1 TYPE "A" OR "B"	49.23	16.64	13.46	16.13	646502-1
	ASSEMBLY USED ON	D	C	B	A	PART NUMBER

- 1 MATERIAL: LEXAN 940A. COLOR: CLEAR. MATERIAL TO BE ANTI-STATIC.
- 2 OBSOLETE PART NUMBER.
- 3 OBSOLETE PARTS: OBSOLETE CIS STREAMLINING PER D.RENAUD/D.SINISI

THIS DRAWING IS A CONTROLLED DOCUMENT.		DWN L.BRINER 2/12/99	Tyco Electronics Corporation Harrisburg, PA 17105-3608	
DIMENSIONS: mm		CHK L.BRINER 2/12/99		
		APVD L.BRINER 2/12/99		
TOLERANCES UNLESS OTHERWISE SPECIFIED: ±0.2		PRODUCT SPEC	NAME COVER, Z-PACK, 2mm HM, PIN	
0 PLC ±-- 1 PLC ±-- 2 PLC ±-- 3 PLC ±-- 4 PLC ±-- ANGLES ±--		APPLICATION SPEC	SIZE CAGE CODE DRAWING NO RESTRICTED TO	
MATERIAL 1		FINISH -	A3 00779 C-646502	
		WEIGHT -	CUSTOMER DRAWING SCALE 4:1 SHEET 1 OF 1 REV J	

X-ON Electronics

Largest Supplier of Electrical and Electronic Components

Click to view similar products for [Hard Metric Connectors](#) category:

Click to view products by [TE Connectivity](#) manufacturer:

Other Similar products are found below :

[10146110-VR5C](#) [6345127-1](#) [646916-9](#) [6469658-1](#) [853016](#) [973108](#) [1-2000713-0](#) [1-2000713-2](#) [1-2000713-3](#) [120646-1](#) [134187](#) [1645343-1](#)
[1645456-1](#) [1645564-3](#) [1645594-1](#) [1645601-1](#) [1934822-1](#) [2000829-2](#) [2000985-2](#) [223085-1](#) [278071110010833](#) [1645179-1](#) [1645245-1](#)
[1645457-1](#) [1645525-1](#) [1645570-1](#) [1645596-1](#) [17-8072-125-000-863+](#) [1857470-1](#) [1934275-1](#) [1934289-1](#) [1934759-1](#) [2000670-2](#) [2000673-1](#)
[2000843-2](#) [2000984-2](#) [204975](#) [2170292-2](#) [2-536642-6](#) [3-100668-0](#) [3-106015-1](#) [352188-1](#) [352629-1](#) [3-646346-0](#) [3-646356-0](#) [3-646457-0](#) [3-646529-0](#) [3-646530-0](#) [5120823-1](#) [5120899-1](#)