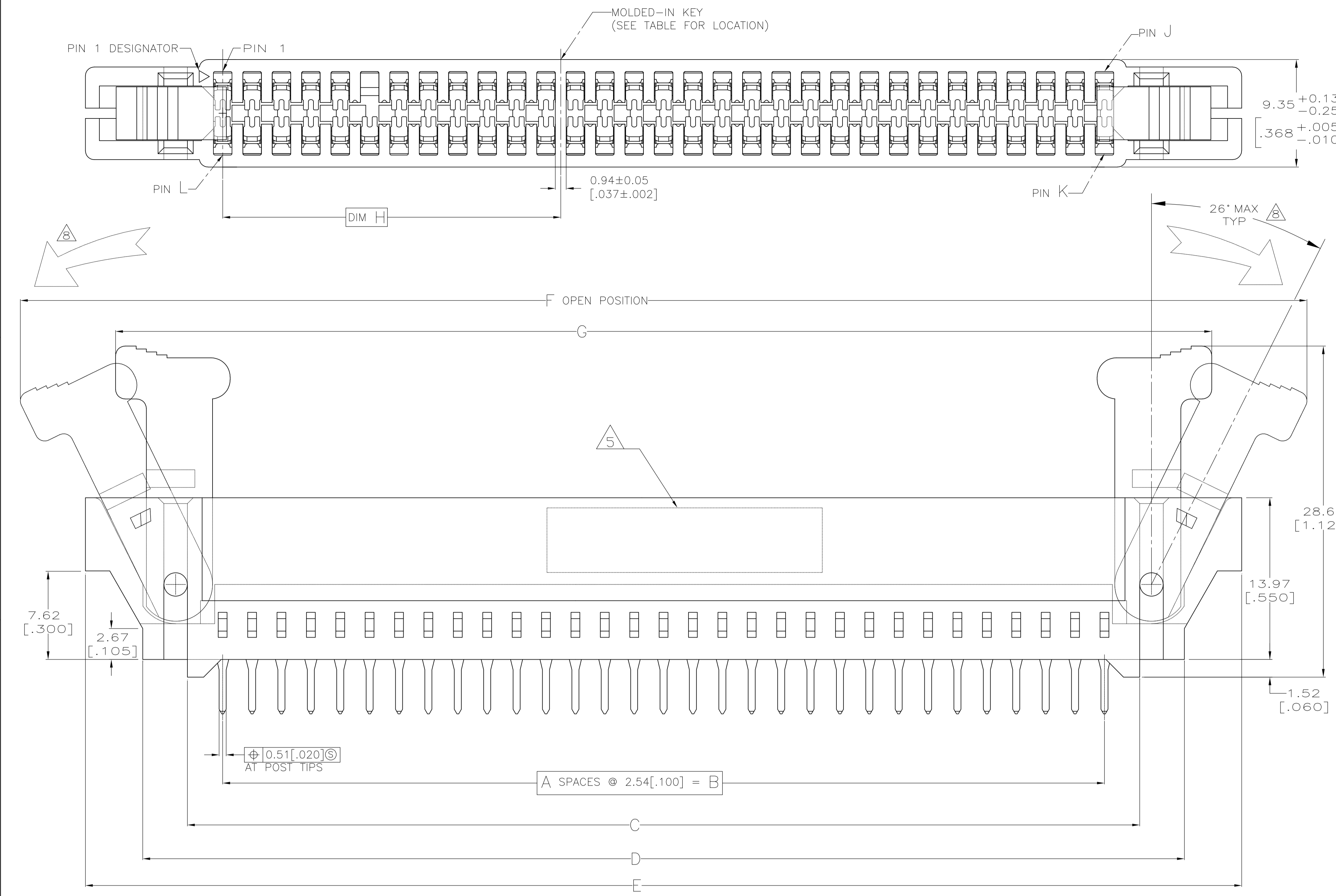
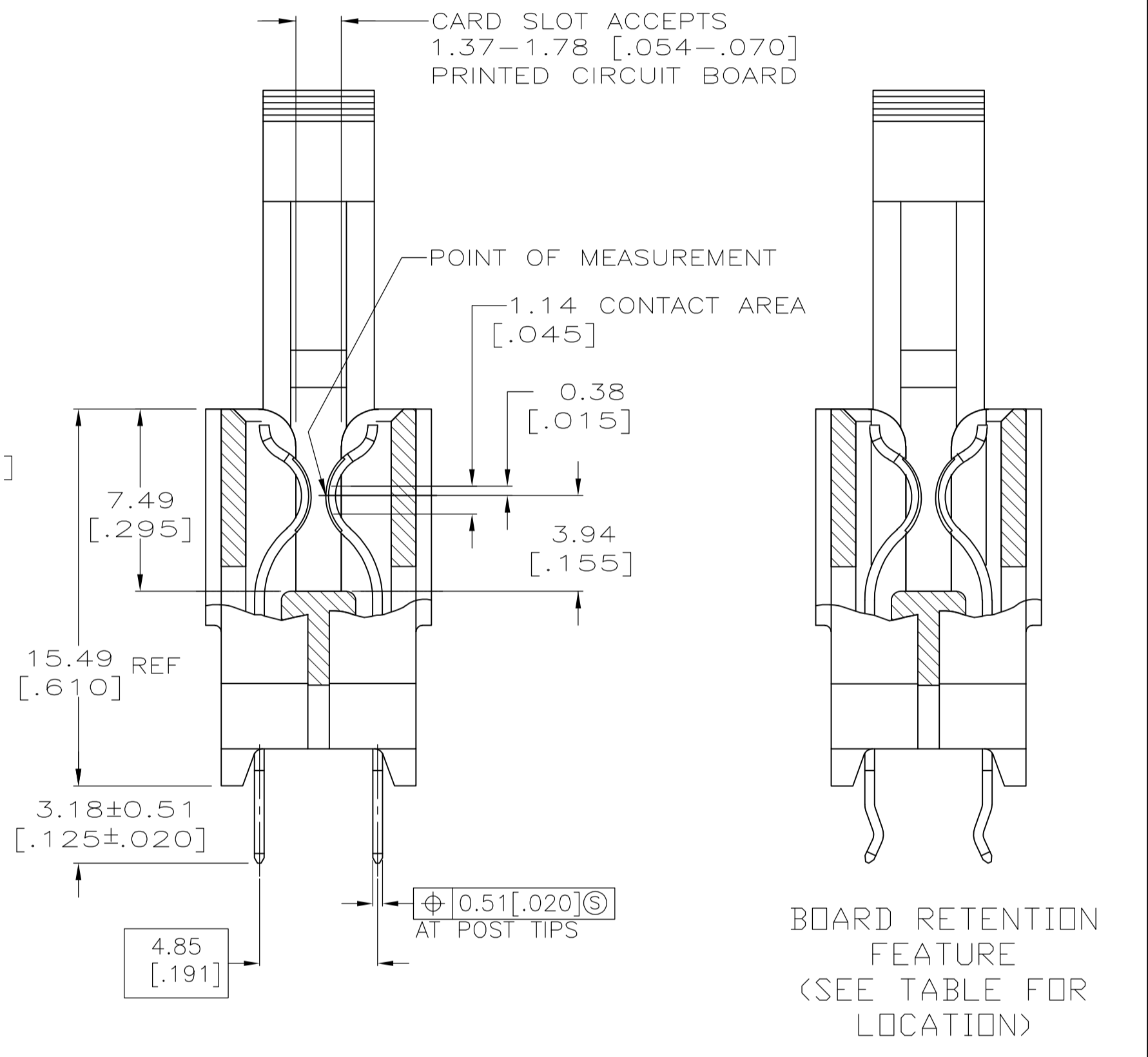


LOC	DIST	REVISIONS			
F	LTR	DESCRIPTION	DATE	DWN	APVD
E		ECO-08-029491	04MAR2008	LAM	AWF
E1		REVISED PER ECO-10-000444	19JAN10	KK	HMR



- MATERIAL:
HOUSING: GLASS FILLED POLYESTER; COLOR: BLACK.
CONTACT: HIGH CONDUCTIVITY COPPER ALLOY
- FINISH:
(SEE TABLE) GOLD PLATE IN CONTACT AREA,
0.00254[.000100] MIN MATTE TIN ON SOLDER POSTS, ALL
OVER 0.00127[.000050] MIN NICKEL
- 0.00038[.000015] MIN GOLD
- 0.00076[.000030] MIN GOLD
- AMP LOGO, TE PART NUMBER, DATE CODE AND CSA LOGO INK
STAMPED WHITE (HOT STAMPED OR LAZER PRINTED) IN THE APPROXIMATE
AREA SHOWN, EITHER SIDE PERMISSIBLE, WHEN HOUSING SIZE PERMITS
- DATUMS AND BASIC DIMENSIONS ESTABLISHED BY CUSTOMER
- CONNECTORS SHOWN ARE USED IN APPLICATIONS WITH VRM MODULES WEIGHING
3 OUNCES OR LESS. ALTERNATE CONNECTOR AND LATCH METHOD IS AVAILABLE FOR
VRM MODULES WEIGHING UP TO 6 OUNCES.
- CAUTION: LATCHES ARE INTENDED FOR RETENTION OF PC BOARD TO CONNECTOR.
DO NOT ATTEMPT TO FULLY EJECT PC BOARD FROM CONNECTOR WHILE DISENGAGING
LATCHES. DAMAGE TO LATCHES AND OR CONNECTOR MAY OCCUR.
- OBSOLETE PARTS: OBSOLETE CIS STREAMLINING PER D.RENAUD/D.SINISI



OBSOLETE	6489165-2
	PART NUMBER

	△	9.1, +12 V	2,3,29,30,33,34,60,61	12 & 13	6	49.35 [1.943]	31.50 [1.240]	62	32	31	29.21 [1.150]	97.10 [3.823]	113.00 [4.449]	99.92 [3.934]	90.02 [3.544]	82.52 [3.249]	76.20 [3.000]	30	31	6489165-6	
OBSOLETE	△	9.1, +12 V	2,3,29,30,33,34,60,61	12 & 13	6	49.35 [1.943]	31.50 [1.240]	62	32	31	29.21 [1.150]	97.10 [3.823]	113.00 [4.449]	99.92 [3.934]	90.02 [3.544]	82.52 [3.249]	76.20 [3.000]	30	31	6489165-5	
	△	-	2,3,12,13,16,17,26,27	24 & 25	28	26.49 [1.043]	11.18 [.440]	28	15	14	8.89 [.350]	53.92 [2.123]	69.82 [2.749]	56.74 [2.234]	46.84 [1.844]	39.34 [1.549]	33.02 [1.300]	13	14	6489165-4	
	△	9.05, +12 V	2,3,29,30,33,34,60,61	11 & 12	6	51.89 [2.043]	28.96 [1.140]	62	32	31	26.67 [1.050]	97.10 [3.823]	113.00 [4.449]	99.92 [3.934]	90.02 [3.544]	82.52 [3.249]	76.20 [3.000]	30	31	6489165-3	
	△	9.1, +12 V	2,3,29,30,33,34,60,61	12 & 13	6	49.35 [1.943]	31.50 [1.240]	62	32	31	29.21 [1.150]	97.10 [3.823]	113.00 [4.449]	99.92 [3.934]	90.02 [3.544]	82.52 [3.249]	76.20 [3.000]	30	31	6489165-1	
		FINISH	VRM DESIGNATION	RETENTION LOCATION	MOLDED-IN KEY	OMITTED PIN & HOLE	R	P	L	K	J	H	G	F	E	D	C	B	A	NO OF DUAL POSITIONS	PART NUMBER

THIS DRAWING IS A CONTROLLED DOCUMENT.

DIMENSIONS: mm [INCHES]

TOLERANCES UNLESS OTHERWISE SPECIFIED:

0 PLC	± .001
1 PLC	± .002
2 PLC	± 0.13[.005]
3 PLC	± .001
4 PLC	± .001
ANGLES	± .2°

MATERIAL: SEE NOTE 1

FINISH: SEE NOTE 2

AWF/L.A.MAYER 04MAR2008
A.W.FRANTUM 04MAR2008
S.FLICKINGER 04MAR2008

Tyco Electronics Corporation
Harrisburg, PA 17105-3608

CONNECTOR ASSEMBLY
STANDARD EDGE II, DUAL POSITION
2.54 [.100] CENTERLINE

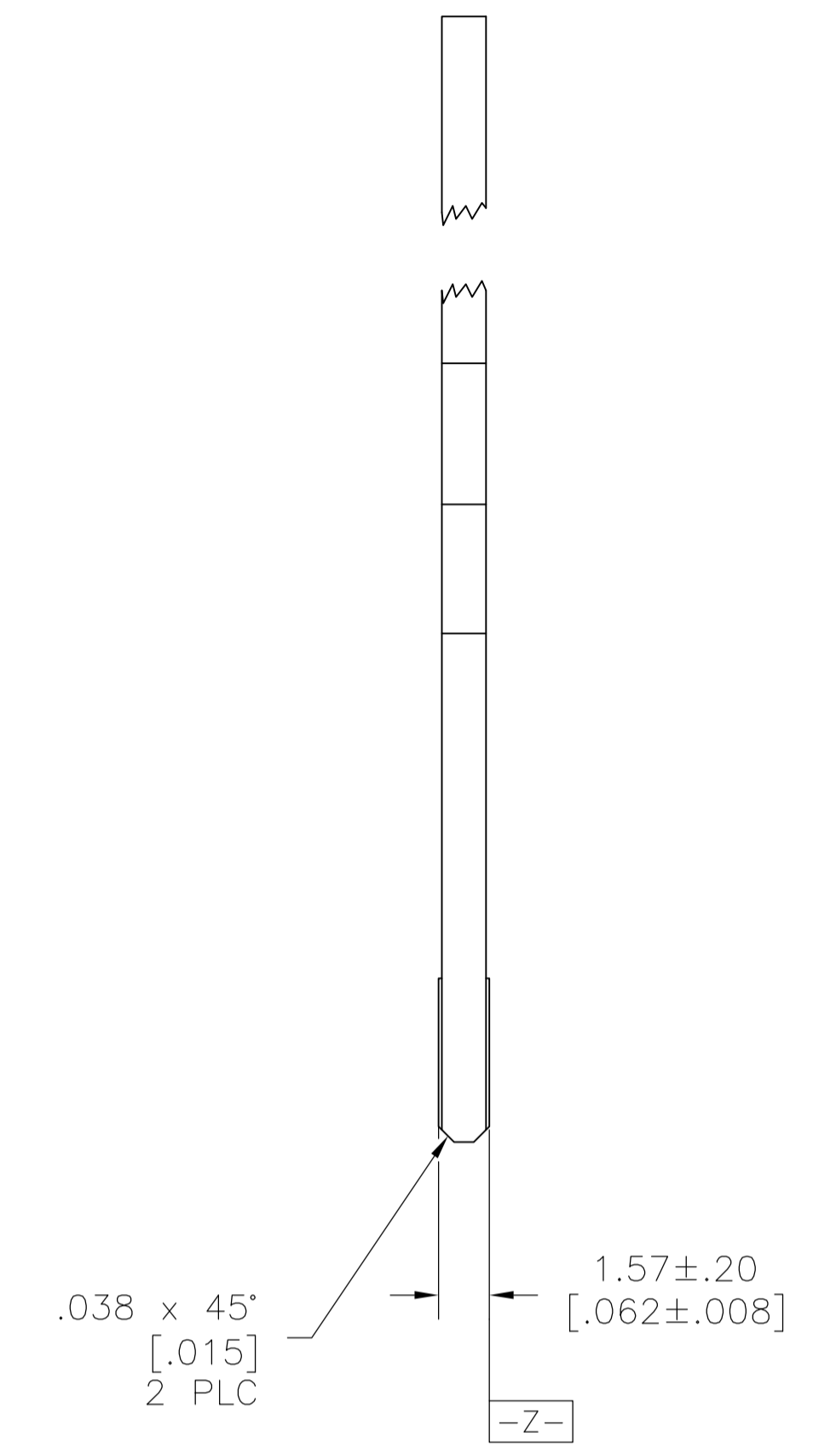
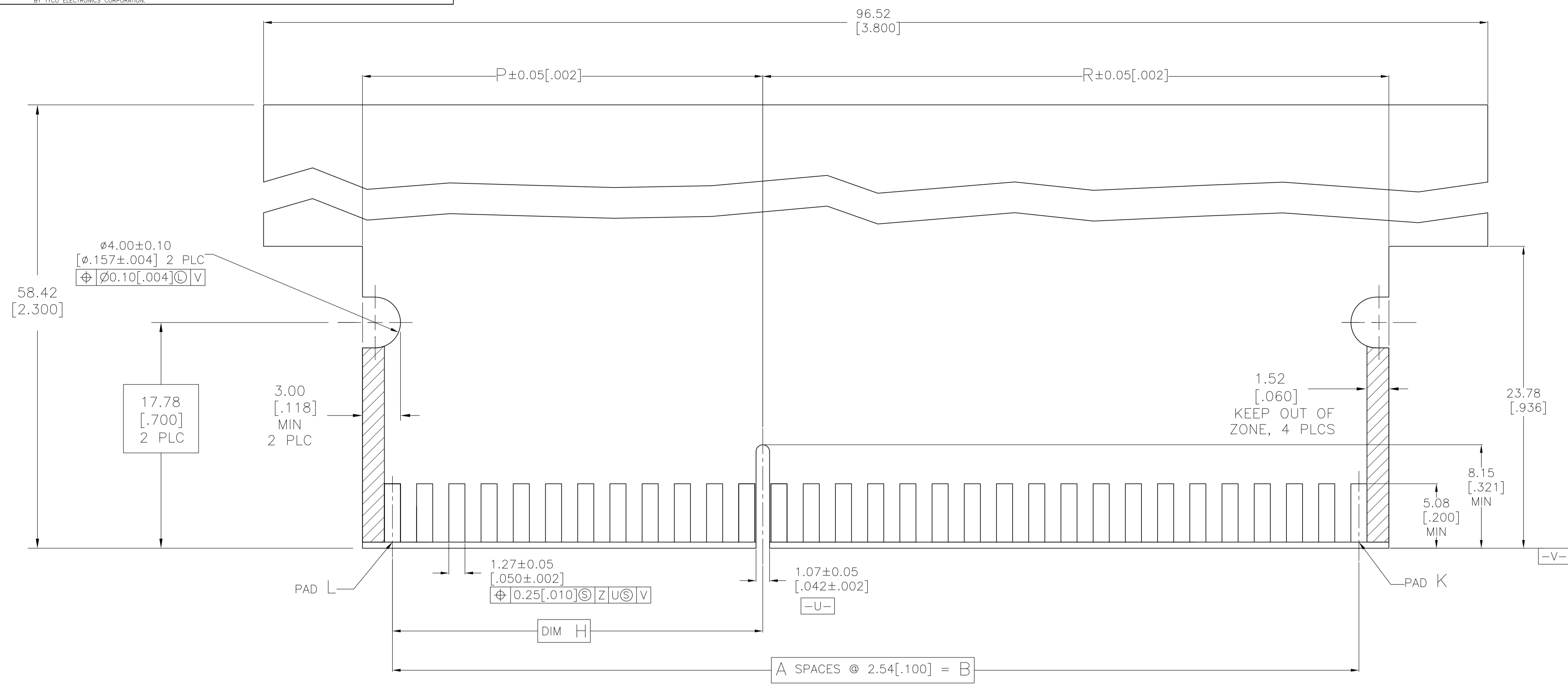
108-9039-2

114-13018

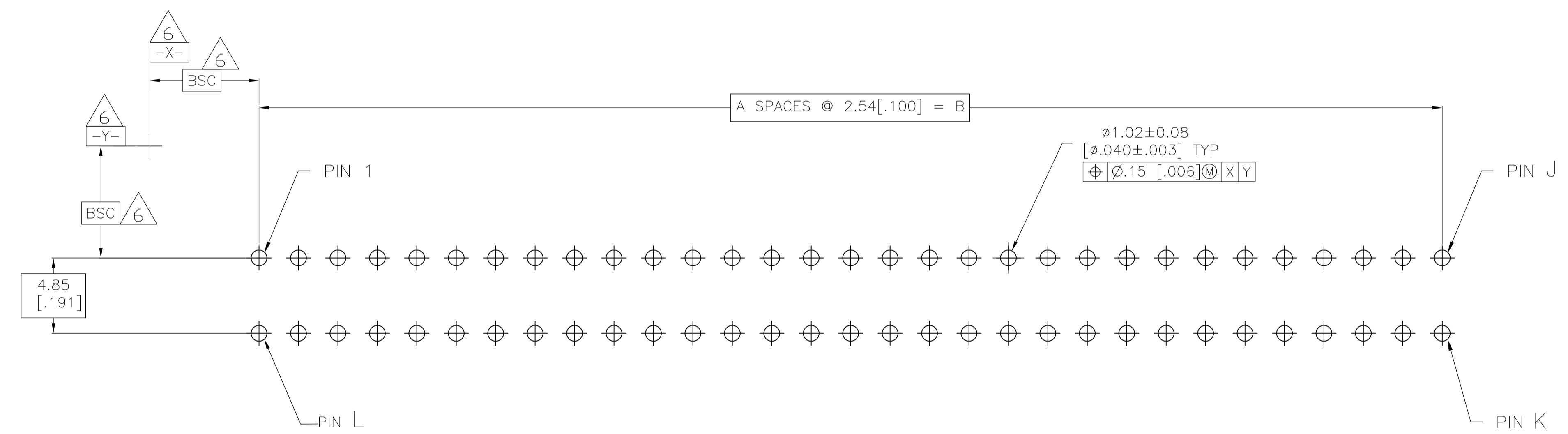
00779-6489165

CUSTOMER DRAWING

SCALE: 5:1 SHEET: 1 OF 2 REV: E1



RECOMMENDED MATING BOARD EDGE CONFIGURATION



RECOMMENDED PC BOARD HOLE LAYOUT

THIS DRAWING IS A CONTROLLED DOCUMENT.		DIN AWF/L.A.MAYER 04MAR2008		Tyco Electronics Tyco Electronics Corporation Harrisburg, PA 17105-3608	
DIMENSIONS: mm [INCHES]		TOLERANCES UNLESS OTHERWISE SPECIFIED:		AWF/A.W.FRANTUM 04MAR2008	
0 PLC ± -		1 PLC ± -		S.FLICKINGER 04MAR2008	
1 PLC ± -		2 PLC ± 0.13[.005]		NAME	
2 PLC ± -		3 PLC ± -		CONTRACTOR ASSEMBLY	
3 PLC ± -		4 PLC ± -		STANDARD EDGE II, DUAL POSITION	
4 PLC ± -		ANGLES ± -		2.54 [.100] CENTERLINE	
MATERIAL SEE NOTE 1		FINISH SEE NOTE 2		SIZE CAGE CODE DRAWING NO. RESTRICTED TO	
				A1 00779 C=6489165	
				CUSTOMER DRAWING SCALE 5:1 SHEET 2 OF 2 REV E1	

X-ON Electronics

Largest Supplier of Electrical and Electronic Components

Click to view similar products for [Standard Card Edge Connectors](#) category:

Click to view products by [TE Connectivity](#) manufacturer:

Other Similar products are found below :

[6565204-6](#) [PKC-156](#) [1437274-4](#) [147889-1](#) [1489165-4](#) [EBT156-12B1X](#) [EBT15622B2X](#) [EBT156-22R2W](#) [1-582587-1](#) [1-582589-1](#) [2-6437275-9](#) [284-0102-12100](#) [306022901000000](#) [307-012-502-202](#) [307-024-526-201](#) [307-056-520-300](#) [307-080-526-208](#) [245-062-520-350](#) [287-0032-12101](#) [306-010-500-112](#) [306-028-525-102](#) [306-240-318](#) [307-036-502-202](#) [307-036-521-301](#) [307-072-526-202](#) [345-060-559-303](#) [368-004-520-201](#) [392-008-559-201](#) [534671-1](#) [5-530501-5](#) [341-240-317](#) [345-029-520-300](#) [345-030-500-301](#) [345-044-500-300](#) [345-220-058](#) [346-240-318](#) [357-030-526-201](#) [387-012-523-300](#) [395-044-520-300](#) [395-100-524-300](#) [50-12B-10](#) [50-6SN-5](#) [09-07-2032](#) [10035388-106LF](#) [10035388-802LF](#) [10122859-009LF](#) [10127905-B04B24BLF](#) [530555-1](#) [EBT156-15A2X](#) [2007209-1](#)