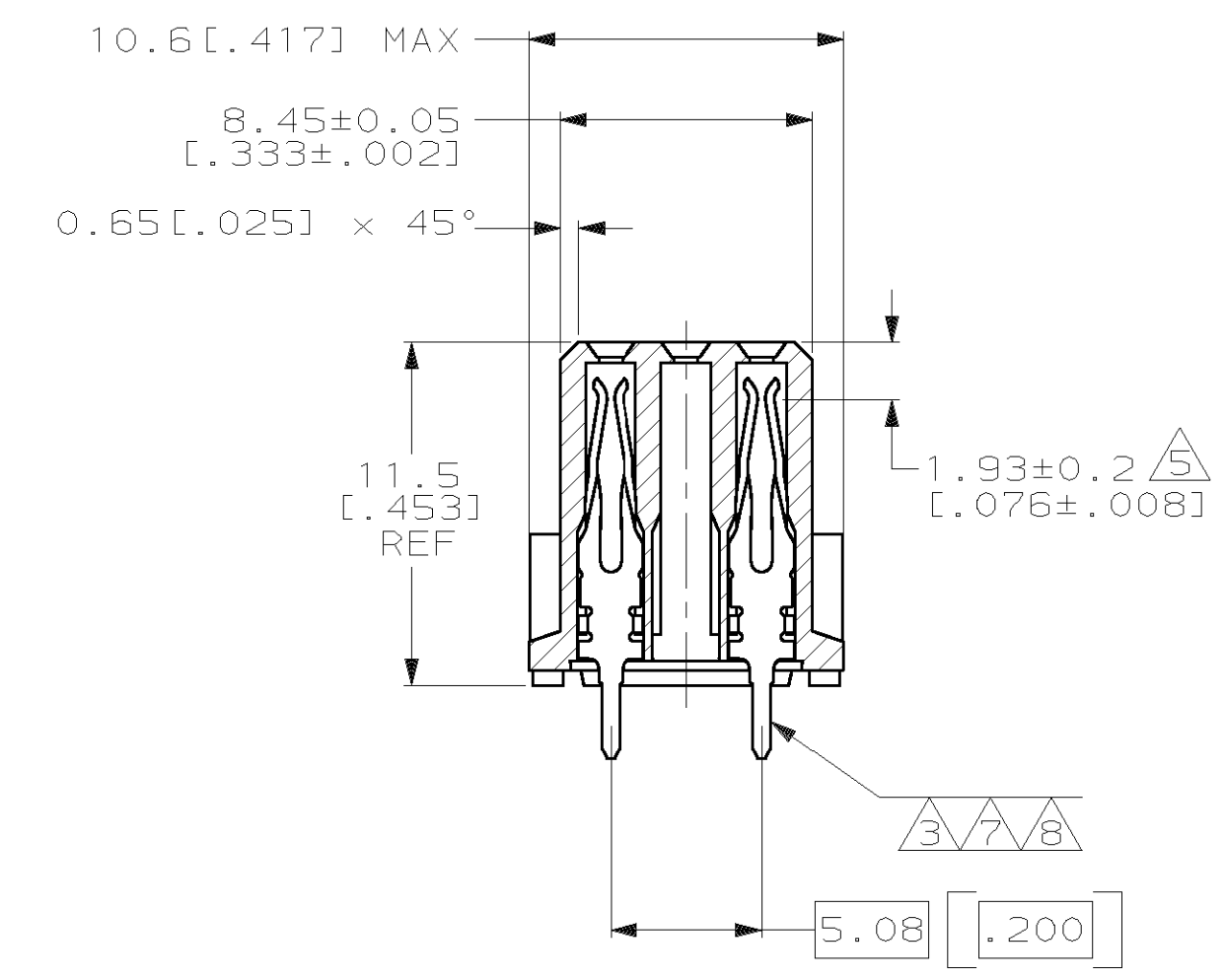
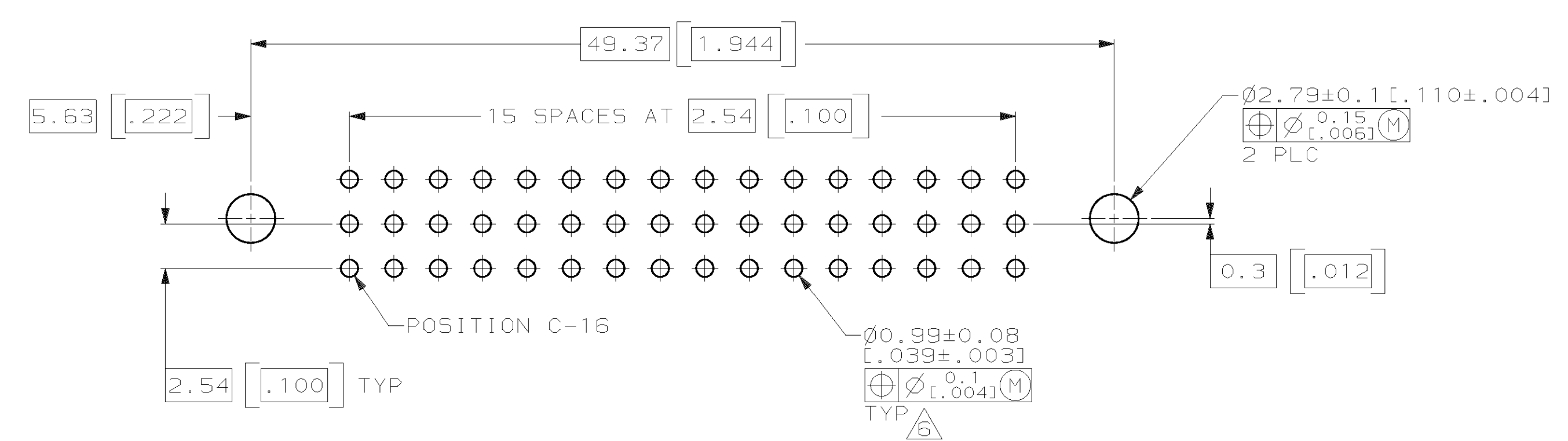
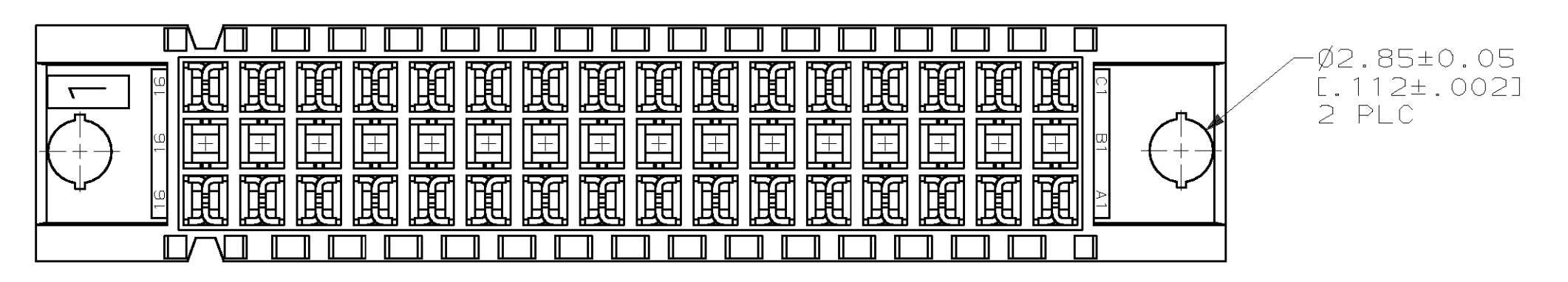
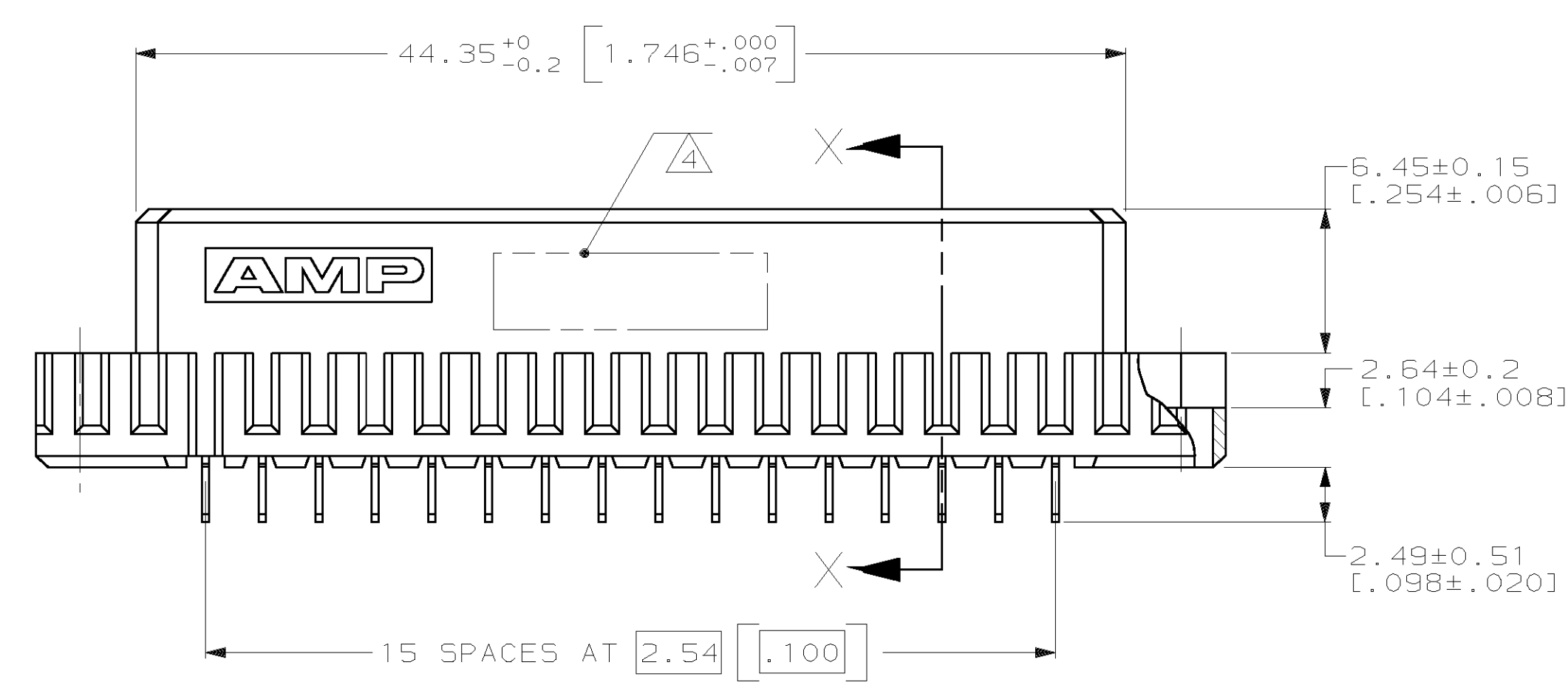
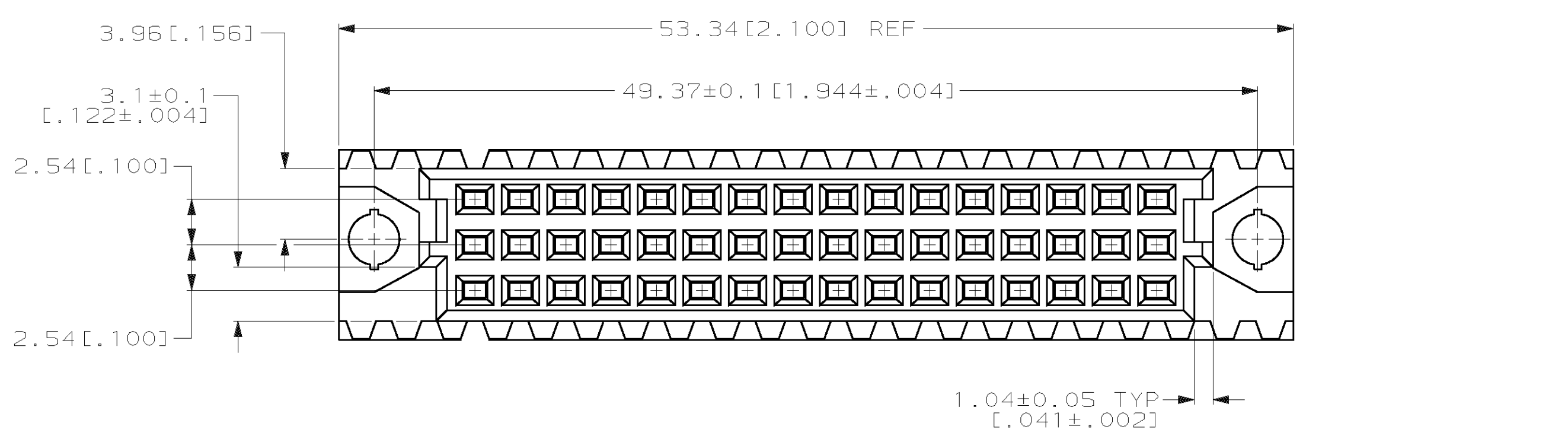


LOC	DIST	P	F	ZONE	LTR	REVISIONS	DATE	APPD
AD	25					0 DRAWN	-	-
						A ADD -9	1/15/91	LSB
						B ECN AD5297	1/23/91	LSB
						C ECN AD5876	11/19/91	LSB
						D EC 0010-0428-94	5/16/94	LSB
						E EC 0010-1431-95	1/17/96	RAP
						F EC 0010-1491-95	4/1/96	CR
						G REV PER EC 001B-0367-00	09 JAN 01	CR



- ① HOUSING MATERIAL: GLASS-FILLED POLYESTER. COLOR: GRAY.
- ② CONTACT MATERIAL: PHOSPHOR BRONZE.
- ③ CONTACT FINISH: 0.00076 [0.000030] GOLD IN CONTACT AREA. 0.00127 [0.000050] NICKEL UNDERPLATE ALL OVER. TIN-LEAD ON POSTS.
- ④ PART NUMBER, DATE CODE IDENTIFICATION, CSA LOGO IN THIS APPROXIMATE AREA.
- ⑤ POINT OF MEASUREMENT FOR GOLD.
- ⑥ RECOMMENDED HOLE SIZE FOR MANUAL APPLICATION OF CONNECTOR ONTO PC BOARD.
- ⑦ CONTACT FINISH: DIN 41612 CLASS 3 IN CONTACT AREA. 0.00127 [0.000050] NICKEL UNDERPLATE ALL OVER. TIN-LEAD ON POSTS.
- ⑧ CONTACT FINISH: DIN 41612 CLASS 2 IN CONTACT AREA. 0.00127 [0.000050] NICKEL UNDERPLATE ALL OVER. TIN-LEAD ON POSTS.

SECTION X-X

NOTES	POSITIONS LOADED	C	B	A	NO. OF LOADED POSITION	ASSY PART NUMBER
OBSOLETE	1 THRU 16	X	-	X	32	650459-9
	1 THRU 16	X	-	X	32	650459-5
SUPERSEDED BY 650459-5	1 THRU 16	X	-	X	32	650459-4

DO NOT SCALE PRINT. UNLESS SPECIFIED DIMENSIONS IN mm [INCHES] TOLERANCES ON:	DR L. BRINER 3/14/90	AMP INCORPORATED Harrisburg, Pa. 17105
1 PLC DEC ± -	CHK N. DRASHER 3/22/90	
2 PLC DEC ± 0.13 [0.005]	APPD N. DRASHER 3/22/90	
ANGLES ± -	APPD K.R. PARMER 3/22/90	
MATERIAL HSG ①	PRODUCT SPEC -	RECEPTACLE ASSEMBLY, EUROCARD, TYPE "C"
CONT ②	APPLICATION SPEC -	SIZE D 00779
FINISH CONT ③④⑤⑧	SCALE 4:1	DRAWING NO 650459
		SHEET 1 OF 1

X-ON Electronics

Largest Supplier of Electrical and Electronic Components

Click to view similar products for [DIN 41612 Connectors](#) category:

Click to view products by [TE Connectivity](#) manufacturer:

Other Similar products are found below :

[09231126901](#) [PCN10F-24P-2.54DS\(72\)](#) [004.767](#) [02221602702](#) [024069](#) [602427301412000](#) [013275](#) [691327-1](#) [74670-0732](#) [74680-0340](#)
[75880-0015](#) [76453-0014](#) [86093159ALF](#) [923454](#) [QLC260R](#) [120X10099X](#) [120X10019X](#) [120X10089X](#) [120X10129X](#) [121A10039X](#)
[121A10309X](#) [122A10019X](#) [122A10029X](#) [122A10249X](#) [122A10669X](#) [122A11089X](#) [122A13089X](#) [121B10409X](#) [122A10089X](#)
[122A10129X](#) [122A10349X](#) [122A13359X](#) [1377391-4](#) [DIN-048CPC-SR1-MH](#) [1393583-2](#) [1393726-7](#) [140X10059X](#) [140X10129X](#) [143-1913-](#)
[000](#) [143-1908-000](#) [1484472-1](#) [173052](#) [2110070-1](#) [2110070-2](#) [CBC20T00-008FDS5-0-1-002VR](#) [983-0SE12-12P6](#) [17041102202](#) [172699-](#)
[5036](#) [173051](#) [20 8457096 010 025](#)