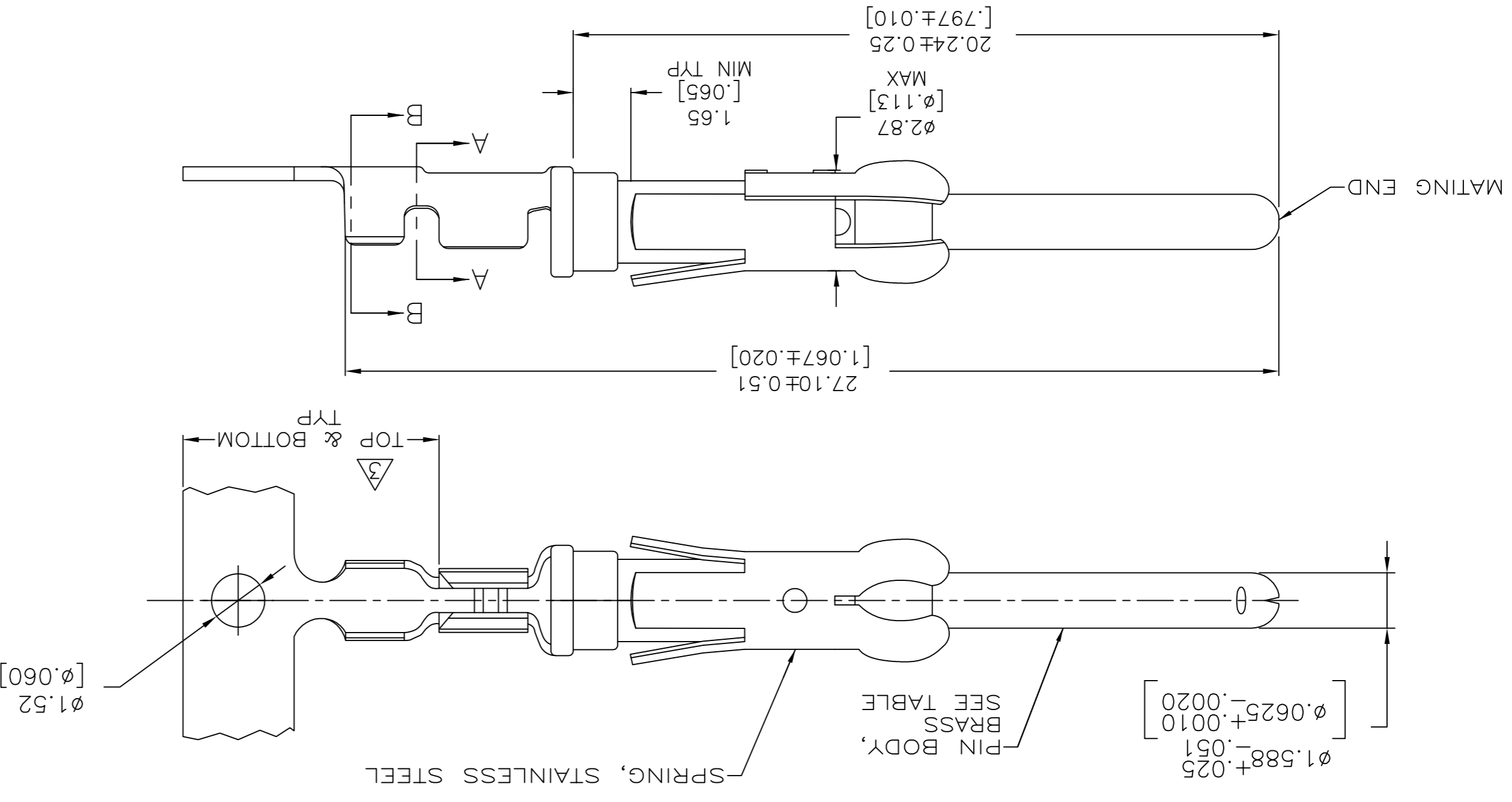
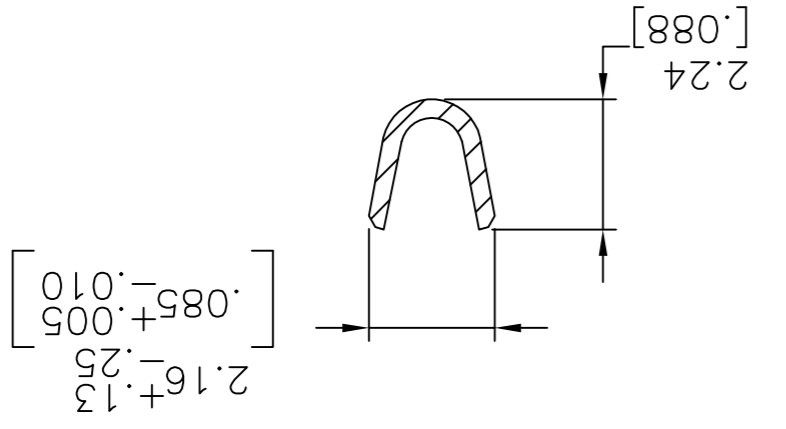


1
2
3
4
5
6
7
8
9
10

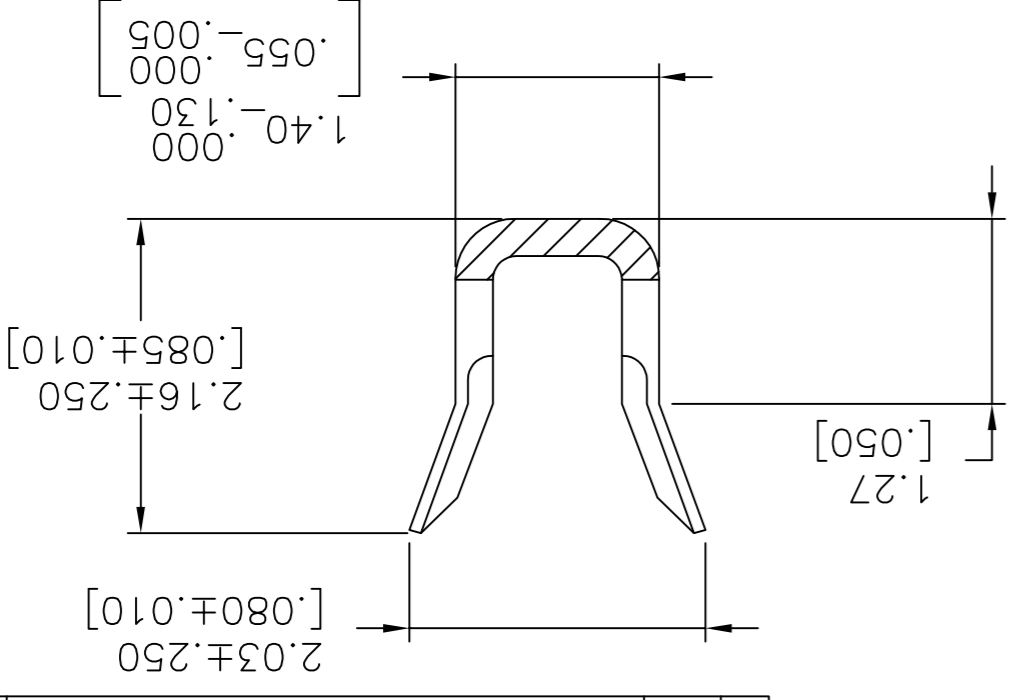
0.76µm [.000030] MIN PRECIOUS METAL PLATE ON MATING END FOR A LENGTH OF 5.08 [.200] MIN WITH 1.27µm [.000050] MIN NICKEL PLATE IN WIRE CRIMP AREA, BOTH OVER 1.27µm [.000050] MIN NICKEL PLATE. CONFORMS TO THE REQUIREMENTS OF TE CONNECTIVITY PRODUCT SPEC 108-10042, BASED ON EIA/ECA-364-1000.01A (CONTROLLED ENVIRONMENT APPLICATIONS).
 REELED FOR MINI-APPLICATOR.
 GOLD PLATING NEED NOT APPEAR IN THIS AREA.
 0.76µm [.000030] MIN PRECIOUS METAL PLATE ON MATING END FOR A LENGTH OF 5.08 [.200] MIN WITH A UNIFORM GRADIENT TO 0.25µm [.000010] ON REMAINDER, OVER 1.27µm [.000050] MIN NICKEL PLATE. GOLD FLASH ALL OVER. CONFORMS TO THE REQUIREMENTS OF TE CONNECTIVITY PRODUCT SPEC 108-10042, BASED ON EIA/ECA-364-1000.01A (CONTROLLED ENVIRONMENT APPLICATIONS).
 0.38µm [.000015] MIN GOLD PER MIL-G-45204 ON MATING END FOR A LENGTH OF 5.08 [.200] MIN WITH 1.27µm [.000050] MIN MATTE TIN PLATE IN WIRE CRIMP AREA, BOTH OVER 1.27µm [.000050] NICKEL PER QQ-N-290. WIRE RANGE 26-30 AWG.
 INSULATION RANGE 1.02 [.040]-1.52 [.060] DIA.
 1.27µm [.000050] MIN TIN-LEAD PER MIL-T-10727 OVER
 1.27µm [.000050] MIN GOLD PER MIL-G-45204 ON MATING END FOR A LENGTH OF 5.08 [.200] MIN, 1.27 MIL-T-10727 FOR A LENGTH OF 5.69 [.224] MIN ON OPPOSITE END, BOTH OVER 1.27µm [.000050] MIN NICKEL PER QQ-N-290 ON ENTIRE CONTACT.
 1.27µm [.000050] MIN TIN PER MIL-T-10727 OVER
 1.27µm [.000050] MIN NICKEL PER QQ-N-290.



SECTION B-B



SECTION A-A



MATERIAL		SEE CALLOUTS	
FINISH		SEE TABLE	
DIMENSIONS: mm (INCHES)		TOLERANCES UNLESS OTHERWISE SPECIFIED:	
0 P/LC ±		0.13 [.005]	
1 P/LC ±		0.13 [.005]	
2 P/LC ±		0.13 [.005]	
3 P/LC ±		0.13 [.005]	
4 P/LC ±		0.13 [.005]	
APVD: G. STEINHÄUER		APVD: G. STEINHÄUER	
CHK: V. FURLER		CHK: V. FURLER	
DWN: 28JUL03		DWN: 28JUL03	
NAME: G. STEINHÄUER		NAME: G. STEINHÄUER	
PRODUCT SPEC: -		PRODUCT SPEC: -	
APPLICATION SPEC: -		APPLICATION SPEC: -	
WEIGHT: -		WEIGHT: -	
SIZE: A2		CASE CODE: 00779	
DRAWING NO: 66425		DRAWING NO: 66425	
RESTRICTED TO: -		RESTRICTED TO: -	
SCALE: 8:1		SCALE: 8:1	
SHEET: 1 OF 1		SHEET: 1 OF 1	
REV: V		REV: V	

PART NO.	LOOSE PIECE REF	PIN FINISH	REELING	OBsolete
1-66425-2	-	10	2	OBsolete
1-66425-1	66429-6	9	2	OBsolete
66425-8	66429-4	1	2	
66425-7	66429-3	5	2	
66425-6	-	8	2	OBsolete
66425-5	66429-1	4	2	OBsolete
66425-4	66429-4	1	2	
66425-3	66429-3	5	2	
66425-1	66429-1	4	2	

REVISIONS	DATE	DESCRIPTION	APVD
V	06OCT2017	REVISED PER ECO-16-017885	RS
U	05JUL12	REVISED PER ECO-12-012316	KH
MZ			MZ

X-ON Electronics

Largest Supplier of Electrical and Electronic Components

Click to view similar products for [Standard Circular Contacts](#) category:

Click to view products by [TE Connectivity](#) manufacturer:

Other Similar products are found below :

[M24308/4-14F](#) [12110600010](#) [129591AU](#) [1000B BULK](#) [RFM26W-1D28](#) [RM20M13D28](#) [RM24M9D28](#) [MS3474W10-6P L/C](#) [164-901-CD](#)
[1900ND02P2B00A](#) [192900-0082](#) [192900-0356](#) [ST-JL05-16S-C3-100](#) [T01-CRIMP-S03](#) [APK-SA16A07-002](#) [CONT-JL05-08S-C2-10](#)
[RC16M-23T](#) [RFD26L-1D28](#) [M85049/124S13W](#) [JN1-22-20S-R-PKG100](#) [031-50565](#) [031-50794](#) [SJS861301M](#) [CF16SC18RF](#) [CONT-JL05-](#)
[08P-C1-10](#) [ST-JL05-16P-C1-100](#) [ST-JL05-16S-C1-100](#) [ST-JL05-20P-C1-100](#) [ST-JN5-S-C1B-2500-\(A534G\)](#) [82911466K](#) [82911467NK](#)
[84690-0106](#) [M81714/67-21](#) [M24308/2-11F](#) [HN0201600031](#) [M85049/118S20W](#) [031-50969-010](#) [T3P16FC3LZ](#) [ST-JL05-16S-C2-3500](#) [ZP-](#)
[4016-10NF](#) [HN0201600022](#) [M24308/2-290F](#) [T3P22MC1LY](#) [CONT-JL05-08P-C2-10](#) [M24308/2-283Z](#) [CONT-JL05-12P-C1-10](#)
[RM20M12G8D28](#) [031-50676](#) [12115010110](#) [SAM12C-03G03](#) [CAP-DACMDPC2](#)