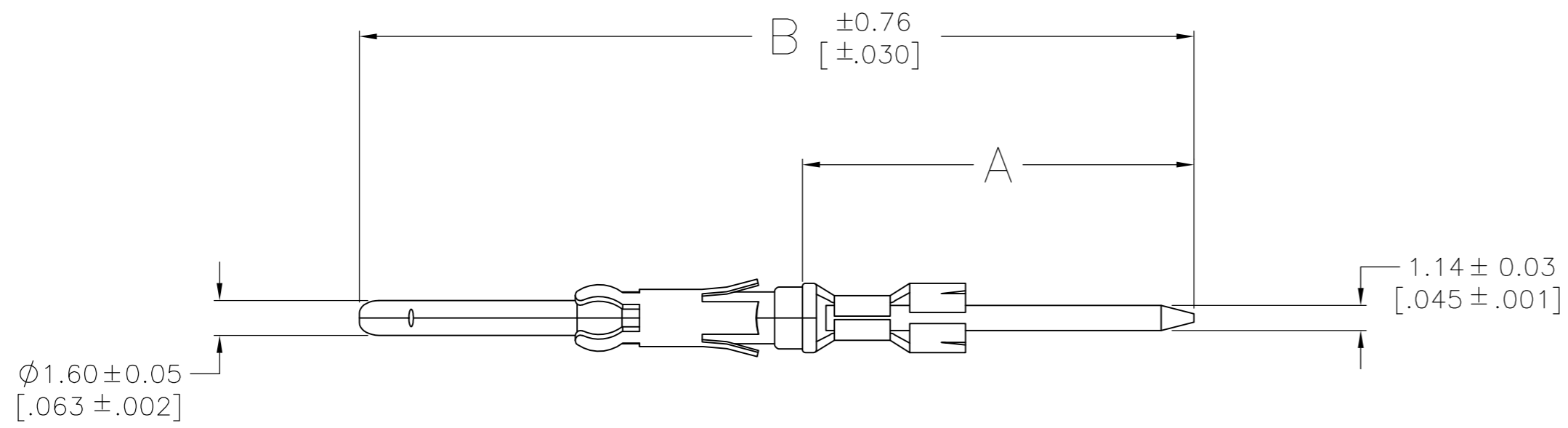
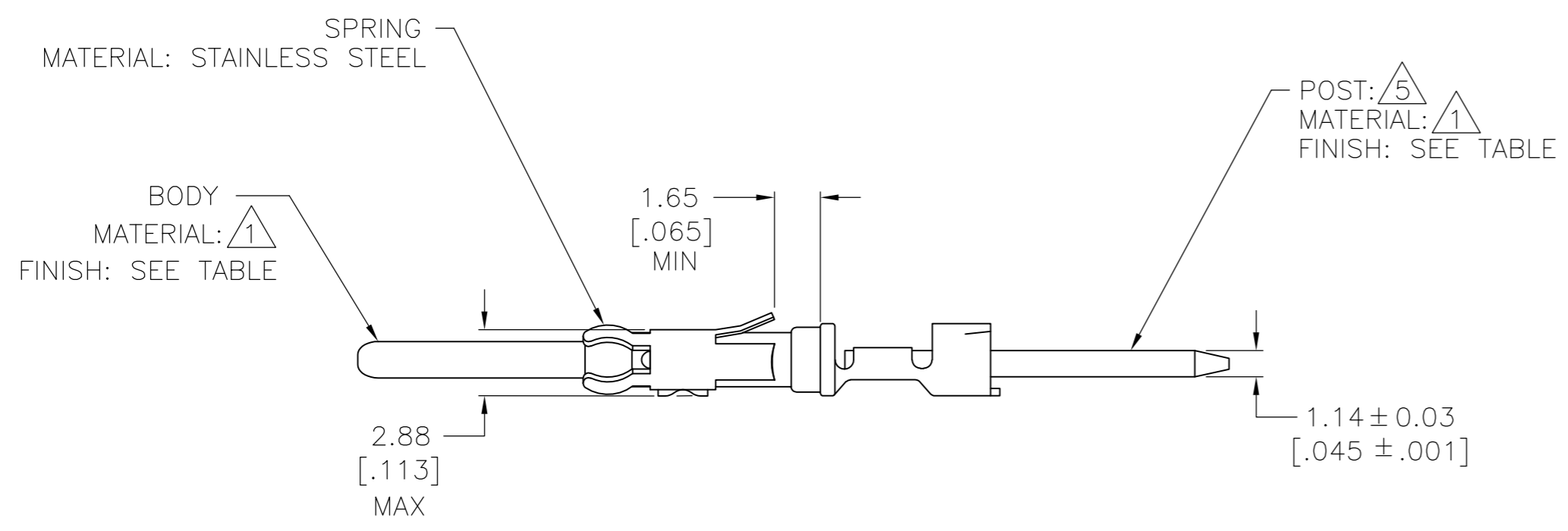


THIS DRAWING IS UNPUBLISHED. RELEASED FOR PUBLICATION  
 © COPYRIGHT - By - ALL RIGHTS RESERVED.

REVISIONS					
P	LTR	DESCRIPTION	DATE	DWN	APVD
V2		REVISED PER ECO-16-004223	19JUL2016	NK	MZ



- 1 BRASS PER ASTM B-36.
- 2 2.54um[.000100] MIN TIN-LEAD OVER 1.27um[.000050] MIN NICKEL.
- 3 SELECTIVELY PLATED 0.76um[.000030] MIN GOLD, FOR A DISTANCE OF 5.08[.200] FROM MATING END, GOLD FLASH ON REMAINDER, ALL OVER 1.27um[.000050] MIN NICKEL.
- 4 GOLD PLATING NOT TO APPEAR ON INSULATION SUPPORT STABILIZER.
- 5 POST WILL ACCEPT (SEE TABLE) TERMINATIONS.
- 6 .000100 MIN TIN OVER .000050 NICKEL. (POST).
- 7 OBSOLETE PARTS: OBSOLETE CIS STREAMLINING PER D.RENAUD/D.SINISI.



OBSOLETE		3	SPECIAL	35.03 [1.379]	14.86 [.585]	<del>1-66471-9</del>
		3	1	37.97 [1.495]	17.81 [.701]	1-66471-8
	6	6	3	49.89 [1.964]	29.74 [1.171]	1-66471-7
OBSOLETE		6	1	37.97 [1.495]	17.81 [.701]	<del>1-66471-6</del>
		3	3	49.89 [1.964]	29.74 [1.171]	1-66471-5
		3	SPECIAL	35.03 [1.379]	14.86 [.585]	7 <del>1-66471-4</del>
OBSOLETE		2	SPECIAL	40.79 [1.606]	20.65 [.813]	<del>1-66471-0</del>
		3	3	49.89 [1.964]	29.74 [1.171]	66471-9
		3	1	37.97 [1.495]	17.81 [.701]	66471-7
		2	3	49.89 [1.964]	29.74 [1.171]	66471-3
		2	1	37.97 [1.495]	17.81 [.701]	66471-1
	POST FINISH	BODY FINISH	NO OF TERM	B	A	PART NUMBER

THIS DRAWING IS A CONTROLLED DOCUMENT. DWN C.REIFSNYDER 07 JUN 96  
 CHK R.STONE 12 JUL 96  
 APVD G.A.STEINHAUER 23 JUL 96  
 PRODUCT SPEC  
 APPLICATION SPEC

**STE** TE Connectivity

PIN CONTACT, CRIMPED, .062 DIA, .045 x .045 POST,

SIZE A2 CAGE CODE 00779 DRAWING NO C-66471 RESTRICTED TO -  
 WEIGHT - SCALE 4:1 SHEET 1 OF 1 REV V2

MATERIAL SEE CALLOUTS FINISH SEE CALLOUTS WEIGHT - SCALE 4:1 SHEET 1 OF 1 REV V2

CUSTOMER DRAWING

## X-ON Electronics

Largest Supplier of Electrical and Electronic Components

*Click to view similar products for [Standard Circular Contacts](#) category:*

*Click to view products by [TE Connectivity](#) manufacturer:*

Other Similar products are found below :

[M24308/4-14F](#) [12110600010](#) [129591AU](#) [1000B BULK](#) [RFM26W-1D28](#) [RM20M13D28](#) [RM24M9D28](#) [MS3474W10-6P L/C](#) [164-901-CD](#)  
[1900ND02P2B00A](#) [192900-0082](#) [192900-0356](#) [ST-JL05-16S-C3-100](#) [T01-CRIMP-S03](#) [APK-SA16A07-002](#) [CONT-JL05-08S-C2-10](#)  
[RC16M-23T](#) [RFD26L-1D28](#) [M85049/124S13W](#) [JN1-22-20S-R-PKG100](#) [031-50565](#) [031-50794](#) [SJS861301M](#) [CF16SC18RF](#) [CONT-JL05-](#)  
[08P-C1-10](#) [ST-JL05-16P-C1-100](#) [ST-JL05-16S-C1-100](#) [ST-JL05-20P-C1-100](#) [ST-JN5-S-C1B-2500-\(A534G\)](#) [82911466K](#) [82911467NK](#)  
[84690-0106](#) [M81714/67-21](#) [M24308/2-11F](#) [HN0201600031](#) [M85049/118S20W](#) [031-50969-010](#) [T3P16FC3LZ](#) [ST-JL05-16S-C2-3500](#) [ZP-](#)  
[4016-10NF](#) [HN0201600022](#) [M24308/2-290F](#) [T3P22MC1LY](#) [CONT-JL05-08P-C2-10](#) [M24308/2-283Z](#) [CONT-JL05-12P-C1-10](#)  
[RM20M12G8D28](#) [031-50676](#) [12115010110](#) [SAM12C-03G03](#) [CAP-DACMDPC2](#)