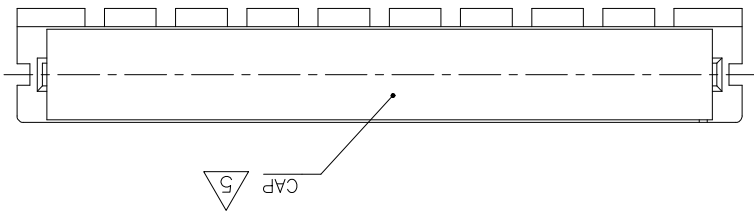
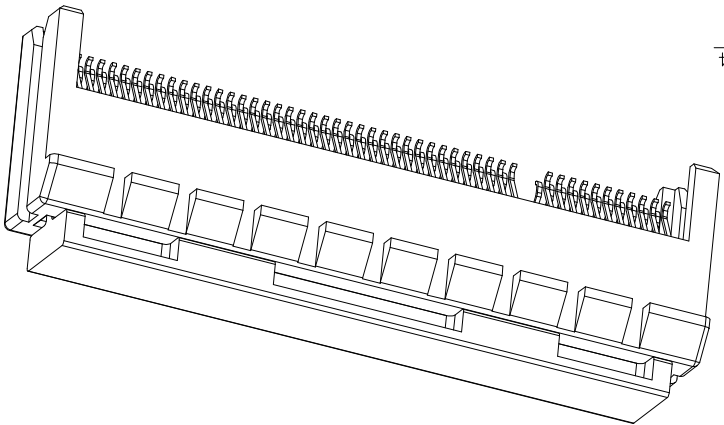
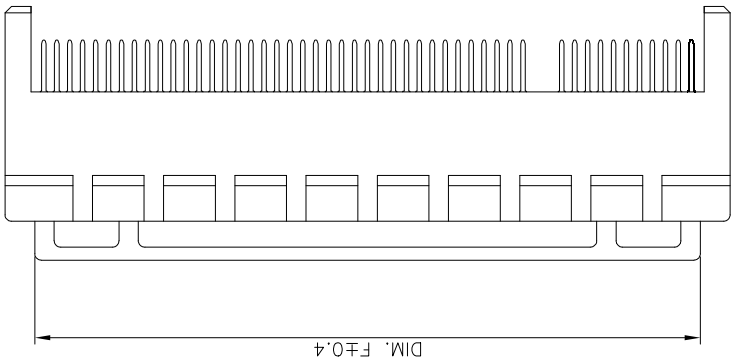
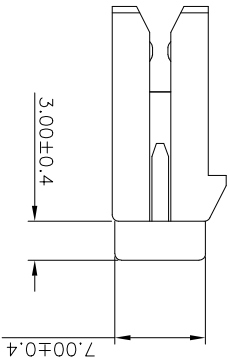


POSITION	DIM F
164	84.4
98	51.4
64	34.4
36	20.4

THIS DRAWING IS A CONTROLLED DOCUMENT.		DIMENSIONS: mm		TOLERANCES UNLESS OTHERWISE SPECIFIED:	
DWN	B. HSING	05JUN2009	APVD	W. KODAMA	PRODUCT SPEC
CHK	S. CHIEN	05JUN2009	NAME	PCI EXPRESS CARD EDGE CONNECTOR STRADDLE MOUNT TYPE	
TE Connectivity Ltd.		RESTRICTED TO			
CUSTOMER DRAWING		SCALE	1:1	SHEET	2 of 4
SEE NOTE		MATERIAL		FINISH	
SEE NOTE		MATERIAL		FINISH	
WEIGHT		0		ANGLES	
APPLICATION SPEC		108-57854		4 PLC ± 0.3	
DRAWING NO		1734857		3 PLC ± 0.15	
CAGE CODE		00779		2 PLC ± 0.2	
SIZE		A3		1 PLC ± 0.3	
DRAWING NO		1734857		0 PLC ±	

ASSEMBLY WITH CAP CONDITION

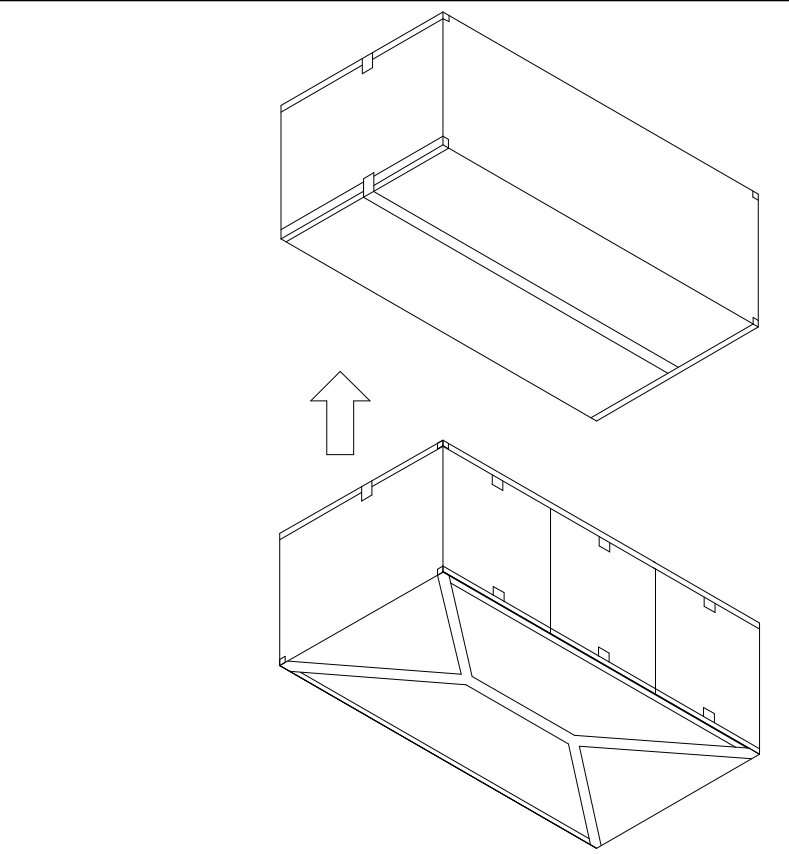


REV	DATE	DESCRIPTION	P LTR
1	---	SEE SHEET 1	---
2	---	---	---

THIS DRAWING IS UNPUBLISHED. RELEASED FOR PUBLICATION
 COPYRIGHT - TE Connectivity Ltd. ALL RIGHTS RESERVED.

CUSTOMER DRAWING		SCALE	SHEET	REV
A3		1:1	4 of 4	C
WEIGHT		CAGE CODE	DRAWING NO	RESTRICTED TO
0		00779	1734857	—
APPLICATION SPEC		PCI EXPRESS CARD EDGE CONNECTOR STRADDLE MOUNT TYPE		
PRODUCT SPEC		108-57854		
NAME		TE Connectivity Ltd.		
APVD		W. KODAMA		
CHK		S. CHIEN		
DWN		B. HSING		

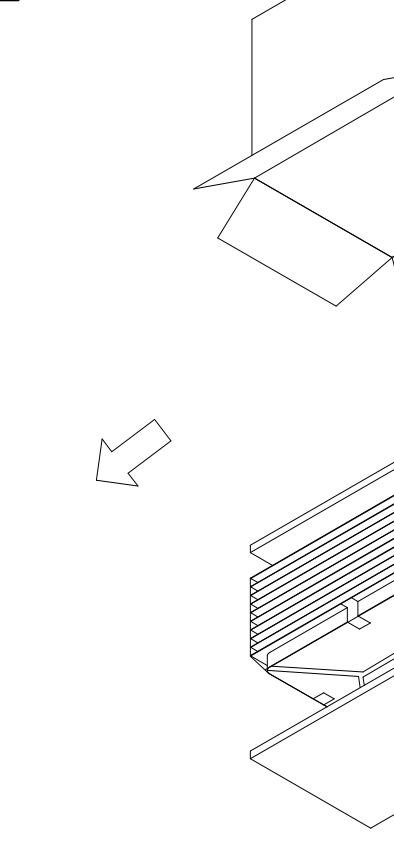
POS No.	PIECES PER TRAY	PIECES PER CARTON	PIECES PER BOX	NET WEIGHT (kg)	GROSS WEIGHT (kg)
164	30	300	900	8.2	12.1
98	40	400	1200	6.5	10.4
64	60	600	1800	7.2	11.1
36	70	700	2100	6.1	10.0



P	LTR	DESCRIPTION	DATE	DWN	APVD
—	—	SEE SHEET 1	—	—	—

MATERIAL		SEE NOTE	
DIMENSIONS: mm		TOLERANCES UNLESS OTHERWISE SPECIFIED:	
0 PLC ±		± 0.3	
1 PLC ±		±	
2 PLC ±		±	
3 PLC ±		±	
4 PLC ±		±	
FINISH		SEE NOTE	
ANGLES		± 0.3	

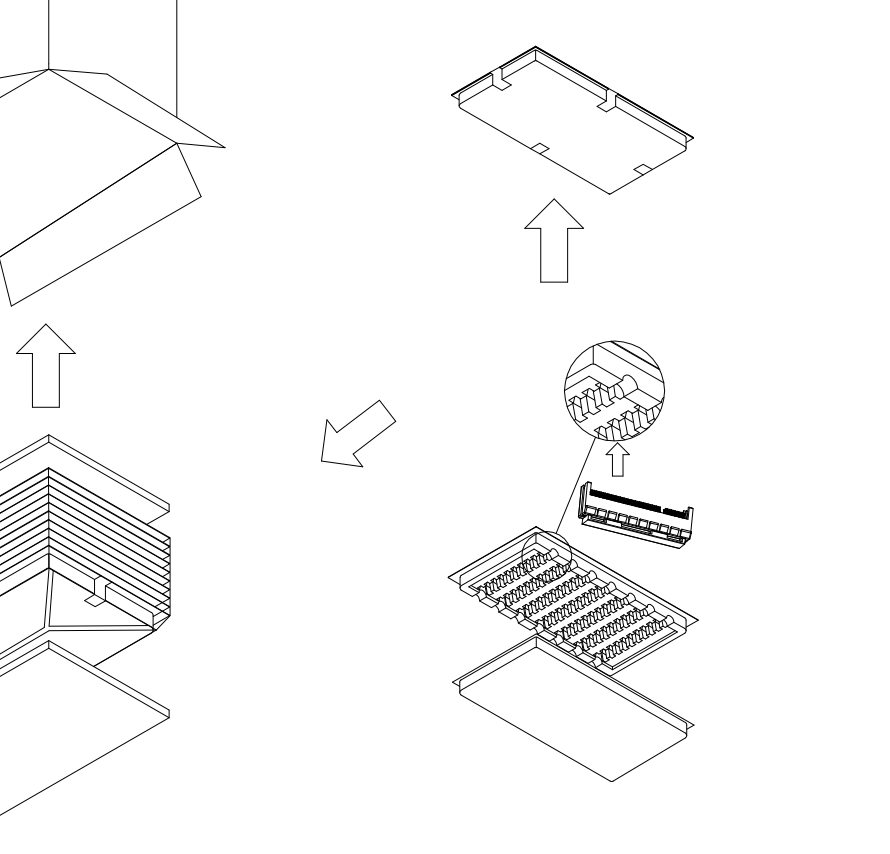
THIS DRAWING IS A CONTROLLED DOCUMENT.



P	LTR	DESCRIPTION	DATE	DWN	APVD
—	—	SEE SHEET 1	—	—	—

MATERIAL		SEE NOTE	
DIMENSIONS: mm		TOLERANCES UNLESS OTHERWISE SPECIFIED:	
0 PLC ±		± 0.3	
1 PLC ±		±	
2 PLC ±		±	
3 PLC ±		±	
4 PLC ±		±	
FINISH		SEE NOTE	
ANGLES		± 0.3	

NOTES:
 1. TRAY : PVC, SIZE: 337mm(L) X 180mm(W) X 23.5mm(H).
 2. CARTON : CORRUGATED, SIZE: 353mm(L) X 199mm(W) X 223mm(H).
 3. CARTON TRANSPARENT BAG : PE, SIZE: 560mm(L) X 400mm(W) X 0.05mm(H).
 4. P.E SIZE: 336mm(L) X 182mm(W) X 8mm(H).
 5. BOX TRANSPARENT BAG : PE, SIZE: 600mm(L) X 590mm(W) X 0.06mm(H).
 6. BOX : CORRUGATED, SIZE: 603mm(L) X 371mm(W) X 240mm(H).
 7. QUANTITY: SEE TABL.



THIS DRAWING IS UNPUBLISHED.		RELEASED FOR PUBLICATION	
COPYRIGHT - TE Connectivity Ltd.		ALL RIGHTS RESERVED.	

X-ON Electronics

Largest Supplier of Electrical and Electronic Components

Click to view similar products for [PCI Express/PCI Connectors](#) category:

Click to view products by [TE Connectivity](#) manufacturer:

Other Similar products are found below :

[UEX220-6U](#) [0877159203](#) [10039755-10110TLF](#) [10025026-10003PLF](#) [10125756-980000LF](#) [1-1871239-2](#) [2170560-2](#) [10082378-11003TLF](#)
[10125756-980000LF](#) [1775861-2](#) [10039755-10111TLF](#) [EB220-3U](#) [WD2M144WB2R300](#) [10061913-120PLF](#) [10108777-10002WLF](#)
[GPCP146400111HR](#) [10144667-112Y0LF](#) [10144667-113Y0LF](#) [205058-1001](#) [GPCP446200120HR](#) [GPCP245400111HR](#) [10082378-10000TLF](#)
[10082378-10001TLF](#) [87715-9256](#) [MDT580M03001](#) [0877159107](#) [205058-1003](#) [MDT580M01001](#) [10018783-11000MLF](#) [10061913-103BLF](#)
[10145445-10003MLF](#) [PSASF2130311TR](#) [10147430-113T0LF](#) [10146070-113Y0LF](#) [MDT670M01005](#) [10108777-10200MLF](#)
[MDT420M01002](#) [PSASF3130211TR](#) [PSASF4130051TR](#) [PSASM2130412TR](#) [PSASM2130391TR](#) [10139595-111T0LF](#) [10139595-110T0LF](#)
[PSASF3130131TR](#) [0745400501](#) [7-1734774-7](#) [10150900-052R2LF](#) [3-1761465-1](#) [74540-0501](#) [10018784-10011TLF](#)