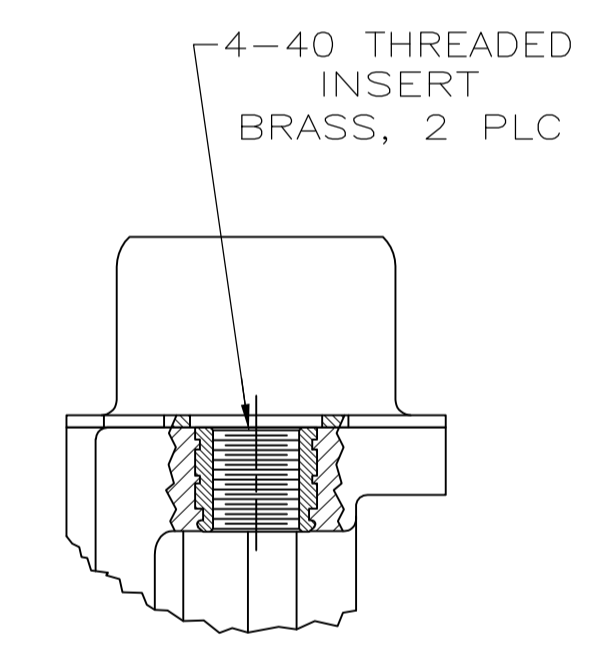
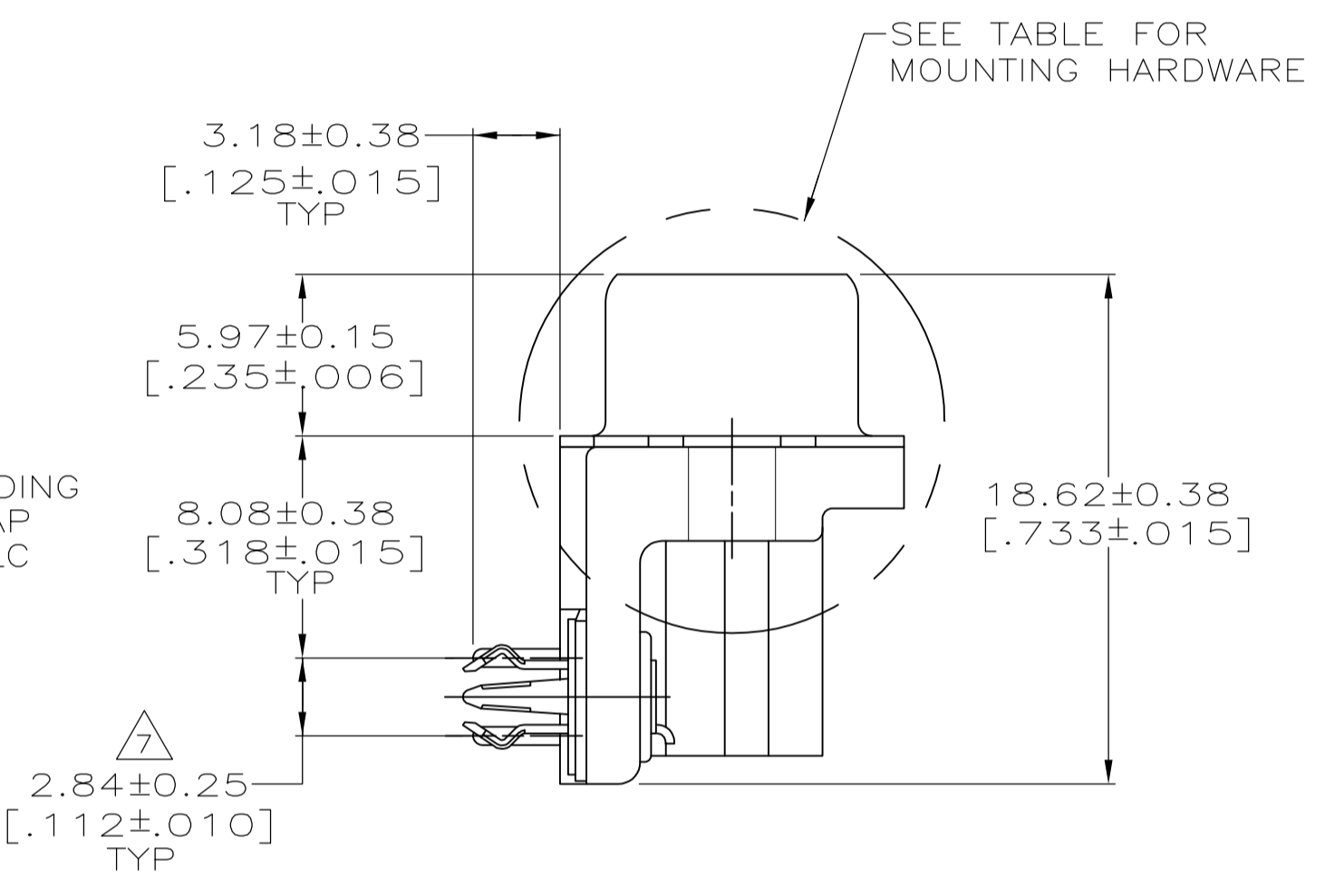
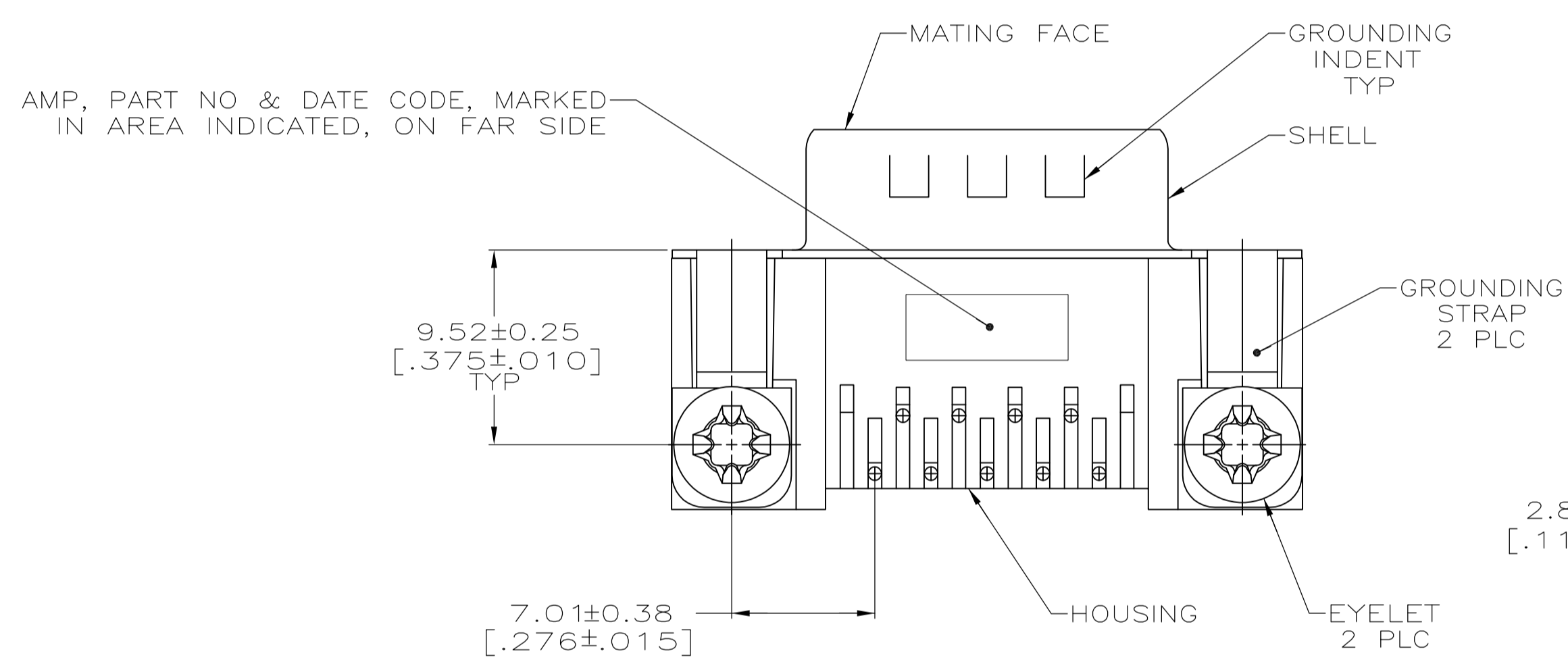
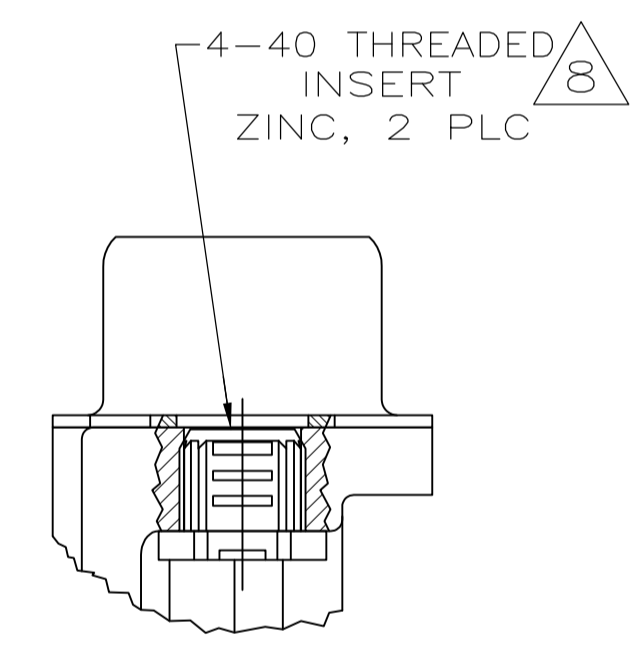


FOR -5 AND -6 ONLY
 DETAIL F
 2 PLC

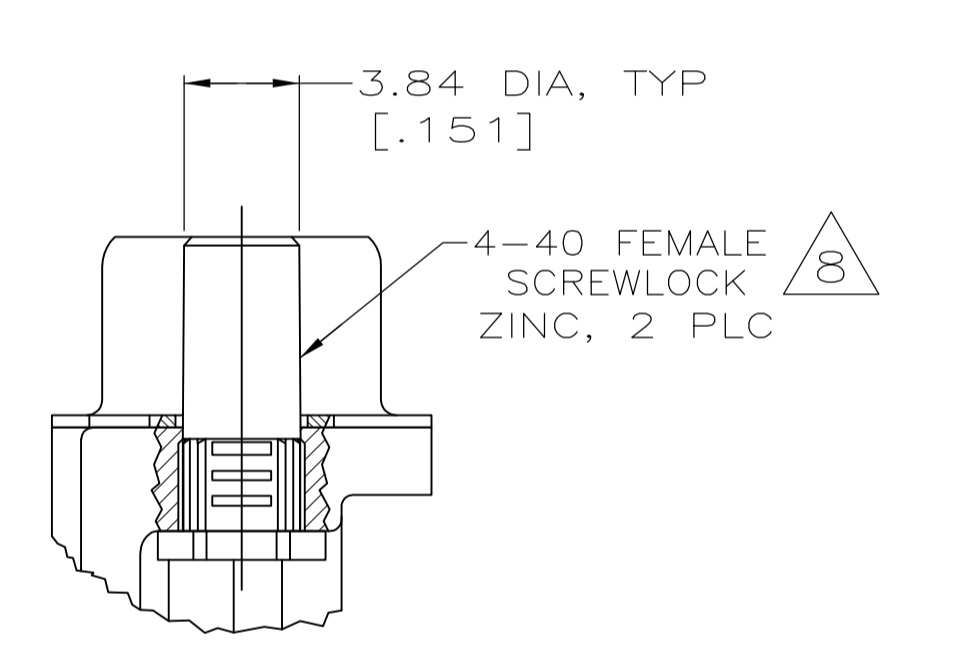
- ① HOUSING: NYLON OR POLYESTER, FLAME RETARDANT 94V-0 RATED, GLASS FILLED, BLACK
 SHELLS: CARBON STEEL
 CONTACTS: BRASS
 BOARDLOCKS: COPPER ALLOY
 EYELETS: BRASS
- ② SHELLS: 2.54µm[.000100] MIN TIN OVER 1.27µm[.000050] MIN COPPER.
 EYELETS: 5.08µm[.000200] MIN TIN OVER COPPER FLASH.
 CONTACTS AND BOARDLOCKS: SEE TABLE.
- ③ GOLD FLASH ON THE MATING SURFACES, 2.54µm[.000100] MIN TIN OR TIN-LEAD PLATE ON THE SOLDER END, 1.27µm[.000050] MIN NICKEL UNDERPLATE ON THE ENTIRE CONTACT.
- ④ 0.76µm[.000030] MIN GOLD PLATE ON THE MATING SURFACES, 2.54µm[.000100] MIN TIN OR TIN-LEAD PLATE ON THE SOLDER END, 1.27µm[.000050] MIN NICKEL UNDERPLATE ON THE ENTIRE CONTACT
 -OR-
 GOLD FLASH OVER PALLADIUM-NICKEL PLATE, 0.76µm[.000030] MIN TOTAL ON THE MATING SURFACES, 2.54µm[.000100] MIN TIN OR TIN-LEAD PLATE ON THE SOLDER END, 1.27µm[.000050] MIN NICKEL UNDERPLATE ON THE ENTIRE CONTACT.
- ⑤ 5.08µm[.000200] MIN TIN-LEAD OVER 1.27µm[.000050] MIN NICKEL.
- ⑥ 5.08µm[.000200] MIN TIN OVER 1.27µm[.000050] MIN NICKEL.
- ⑦ DIMENSION APPLIES FROM CENTER OF CONTACTS.
- ⑧ CLEAR CHROMATE.
- ⑨ OBSOLETE PARTS: OBSOLETE CIS STREAMLINING PER D.RENAUD/D.SINISI.



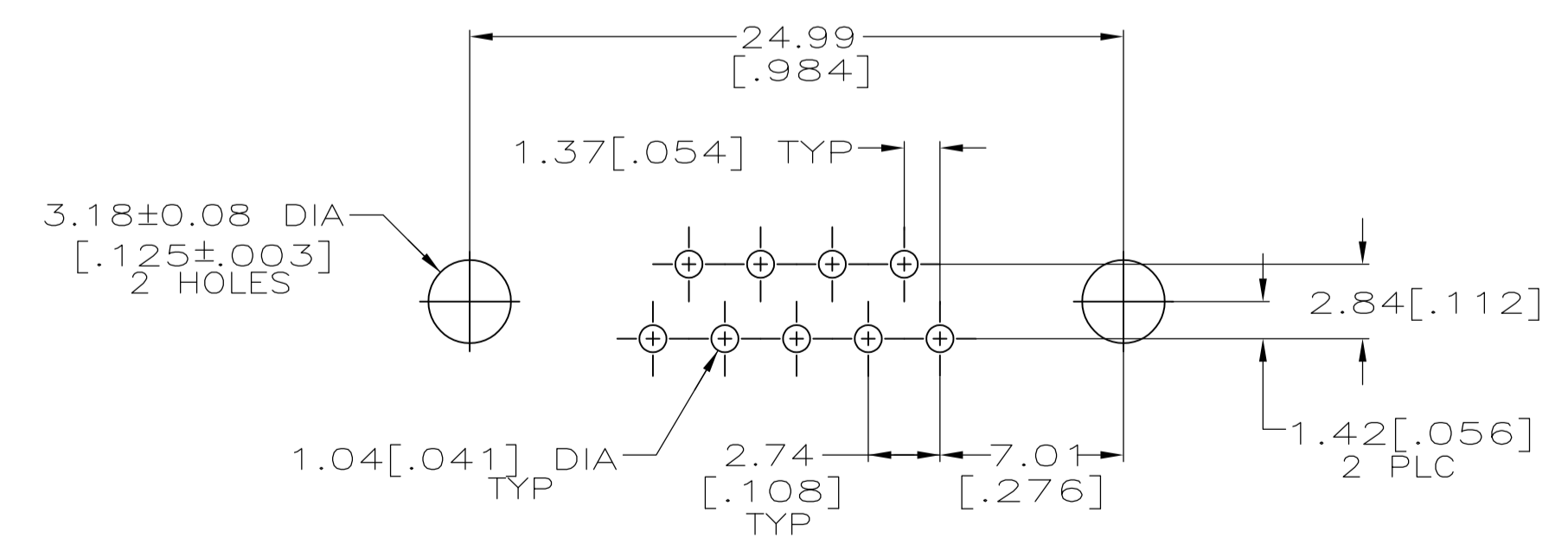
DETAIL C



DETAIL D



DETAIL E



P.C. BOARD MOUNTING DIMENSIONS
 P.C. BOARD THICKNESS: 1.57 [.062]

	TRAY	SEE DETAIL E	⑥	④	7-747840-1
	-	SEE DETAIL E	⑥	③	7-747840-0
	TRAY	SEE DETAIL D	⑥	④	6-747840-9
⑨	OBSOLETE TRAY	SEE DETAIL D	⑥	③	-6-747840-8
⑨	OBSOLETE TRAY	-	⑥	④	-6-747840-7
	OBSOLETE TRAY SPECIAL	SEE DETAIL D	⑤	④	1-747840-2
SUPSD BY 747840-6	TUBE	SEE DETAIL E	⑤	④	1-747840-0
SUPSD BY 747840-3	TUBE	SEE DETAIL D	⑤	③	747840-9
SUPSD BY 747840-4	TUBE	SEE DETAIL D	⑤	④	747840-8
	OBSOLETE TRAY	SEE DETAIL C	⑤	③	747840-7
	TRAY	SEE DETAIL E	⑤	④	747840-6
	TRAY	SEE DETAIL E	⑤	③	747840-5
	TRAY	SEE DETAIL D	⑤	④	747840-4
	TRAY	SEE DETAIL D	⑤	③	747840-3
SUPSD BY 5747840-2	-	-	⑤	④	747840-2
SUPSD BY 5747840-2	-	-	⑤	③	747840-1
	PACKAGING	MOUNTING HARDWARE	BOARDLOCK FINISH	CONTACT FINISH	PART NUMBER

THIS DRAWING IS A CONTROLLED DOCUMENT. DIMENSIONING AND TOLERANCING PER ASME Y14.5M-2009.

DIMENSIONS: mm [INCHES]	TOLERANCES UNLESS OTHERWISE SPECIFIED:	APPROVED: M.D. GALLOWAY	DATE: 06 FEB 90
0 PLC ± -	1 PLC ± -	NAME: PLUG ASSEMBLY, SIZE 1, 9 POSITION, RIGHT ANGLE, FRONT METAL SHELL, .318 SERIES, BOARDLOCKS, AMPLIMITE® HD-20	PRODUCT SPEC: 108-40025
2 PLC ± 0.13[.005]	3 PLC ± -	APPLICATION SPEC: 114-40010	SIZE: A1
4 PLC ± -	ANGLES ± 2°	WEIGHT: -	CAGE CODE: 00779
MATERIAL: -	FINISH: -	REVISIONS: 1	RESTRICTED TO: -

STE TE Connectivity
 CUSTOMER DRAWING SCALE: 4:1 SHEET: 1 OF 1 REV: Z

X-ON Electronics

Largest Supplier of Electrical and Electronic Components

Click to view similar products for [D-Sub Standard Connectors](#) category:

Click to view products by [TE Connectivity](#) manufacturer:

Other Similar products are found below :

[DCM37S732N](#) [DAM15P500](#) [DEV09S364GTLF](#) [DEM09P032N](#) [DDM50P732N](#) [DAM15S332N](#) [173109-2218](#) [173109-2466](#) [173109-2436](#)
[173109-2435](#) [56F706-005-LI](#) [56F711-015](#) [015-0341-000](#) [015-0372-008](#) [015-8544-011](#) [017041-0005](#) [020419-0104](#) [012-0515-000](#) [012-9507-](#)
[034](#) [012-9507-114](#) [012-9534-001](#) [020745-0008](#) [609-25P](#) [M24308/2-23Z](#) [M243082310F](#) [M243082410F](#) [M243082411F](#) [M24308/4-21](#)
[CT1A18-11PSA206](#) [CT1N36-5SC](#) [CT2-16S-17PS](#) [CT2-20-15PCAU](#) [CT2-24-12PS](#) [CT2-24-28PSF127A206](#) [CT2-32-9PC](#) [CT6F9767-14-4-](#)
[14S-5PC](#) [CT6FA10SL-4PS](#) [CT7-18-10SC](#) [CT7-18-10SCAU](#) [CT7-18-12SCAU](#) [CT7-18-1PC](#) [CT7-18-1PCAU](#) [CT7-18-21SCAU](#) [M83513/01-](#)
[FC](#) [M83723/76W24619 L/C](#) [M85049/48-3-2F](#) [69001-865](#) [6STD09PCM99B70X](#) [6STD09SCM99B30X](#) [6STD09SCT99S40X](#)