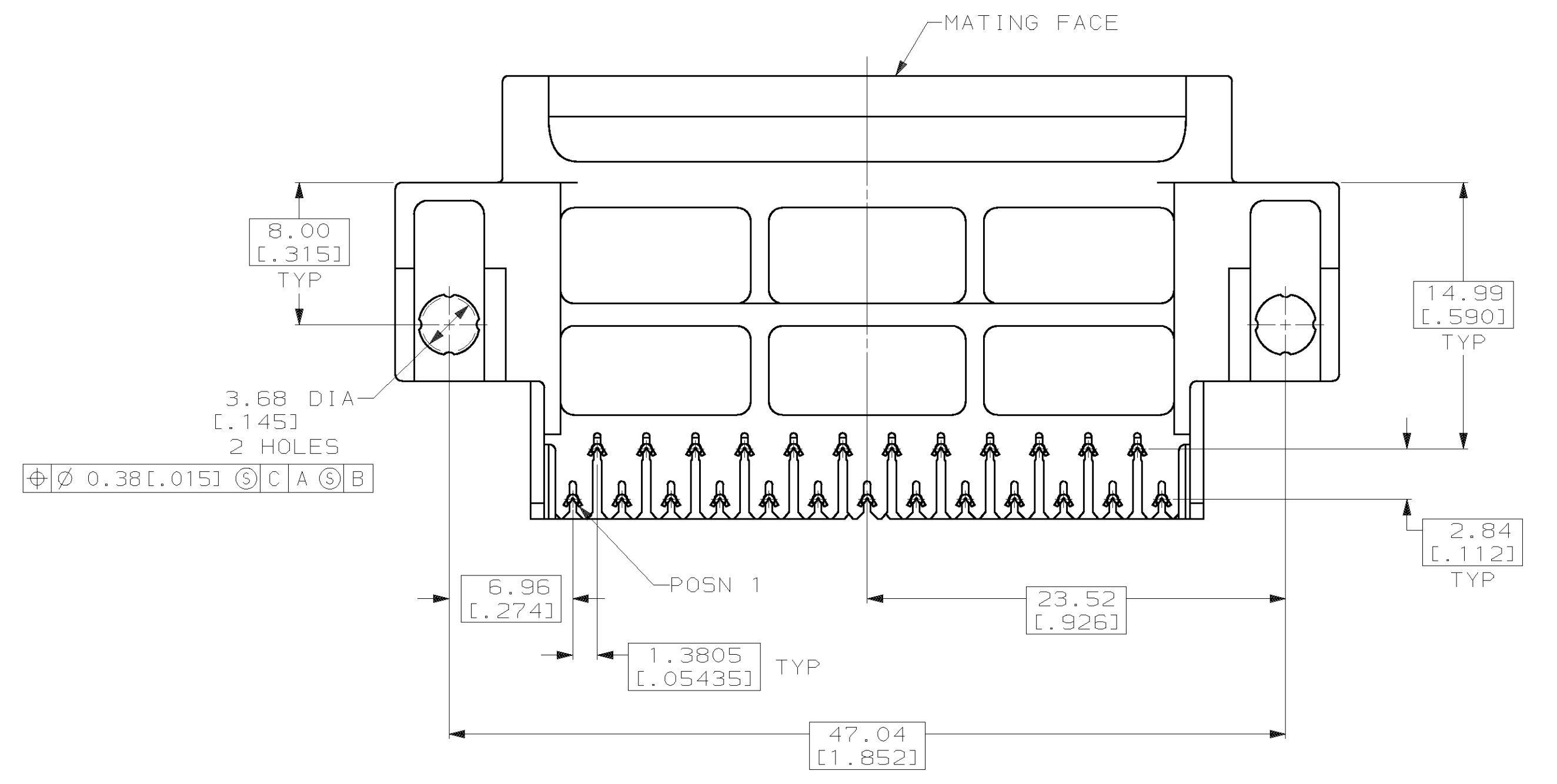
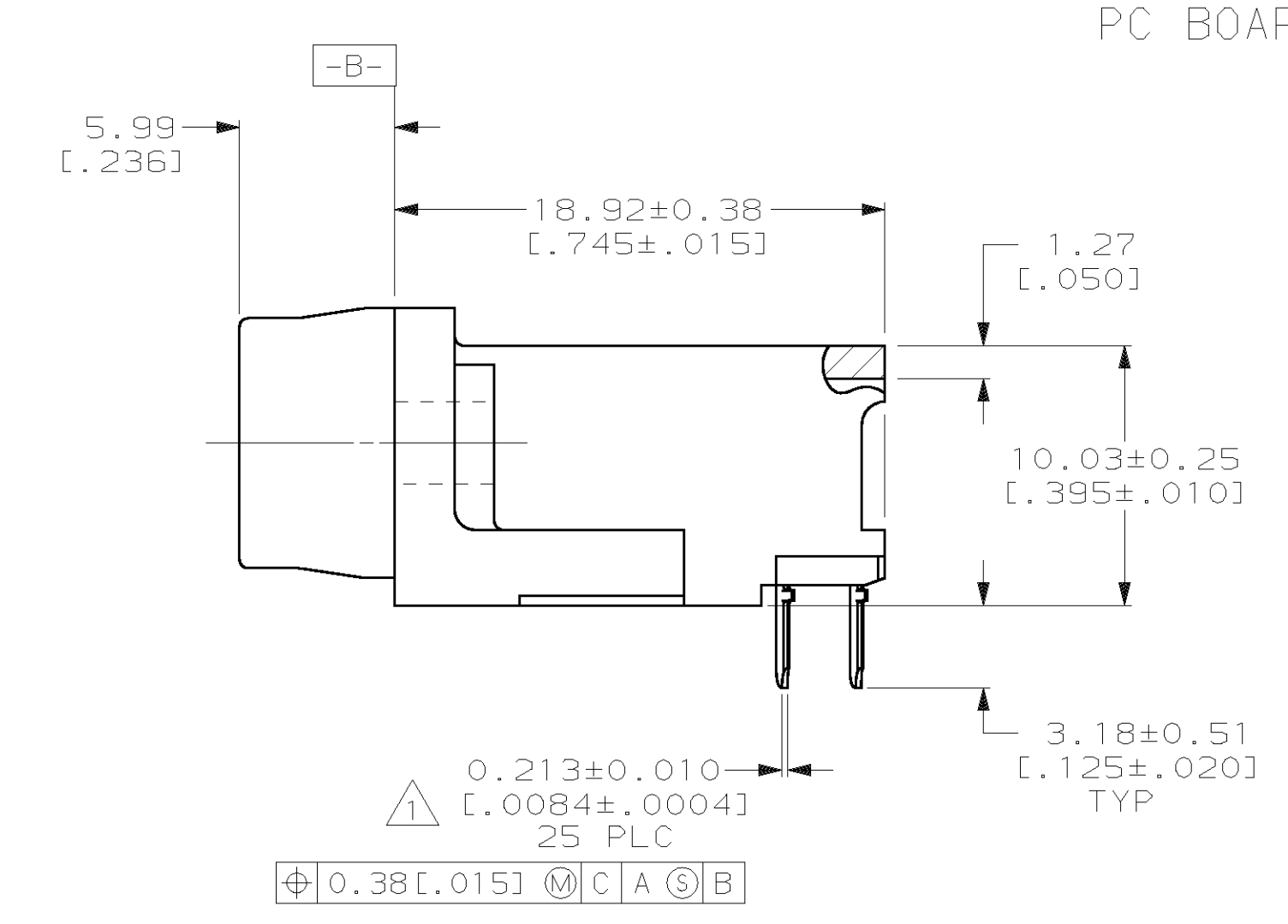
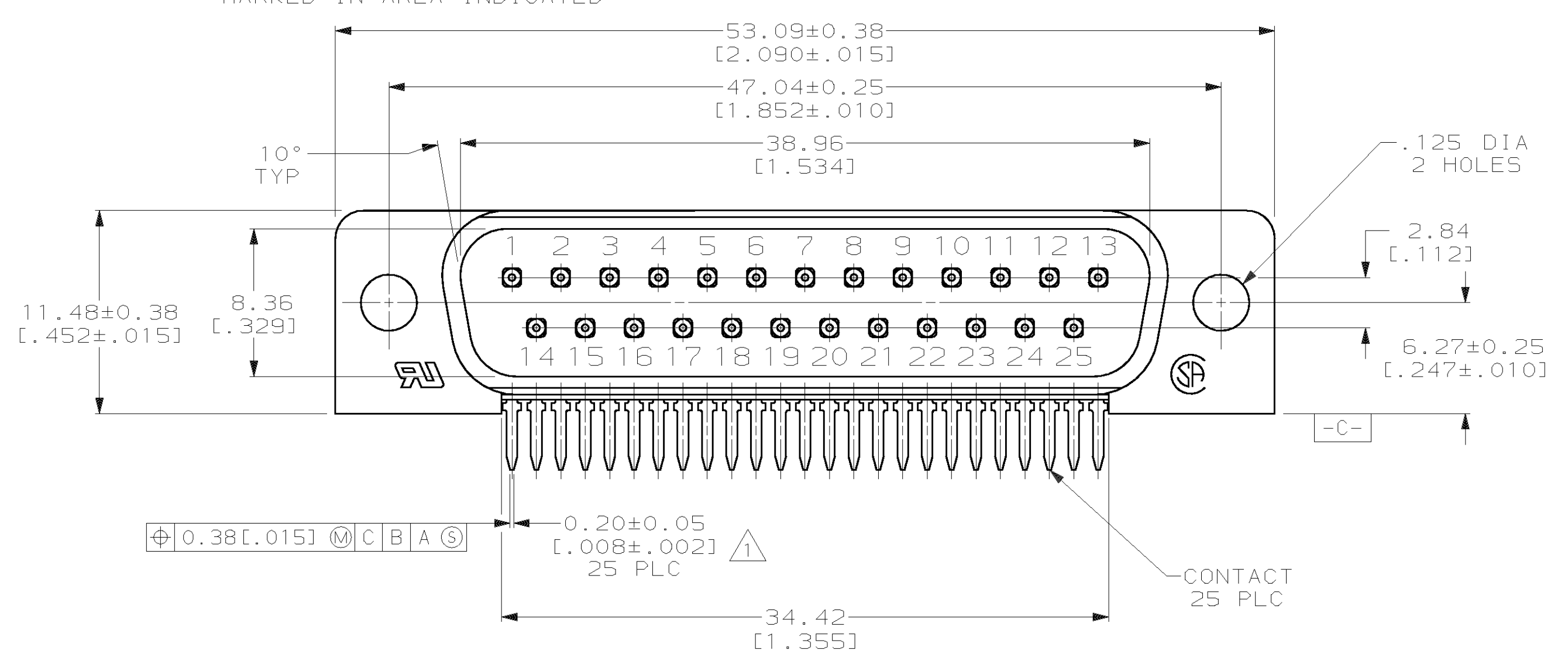
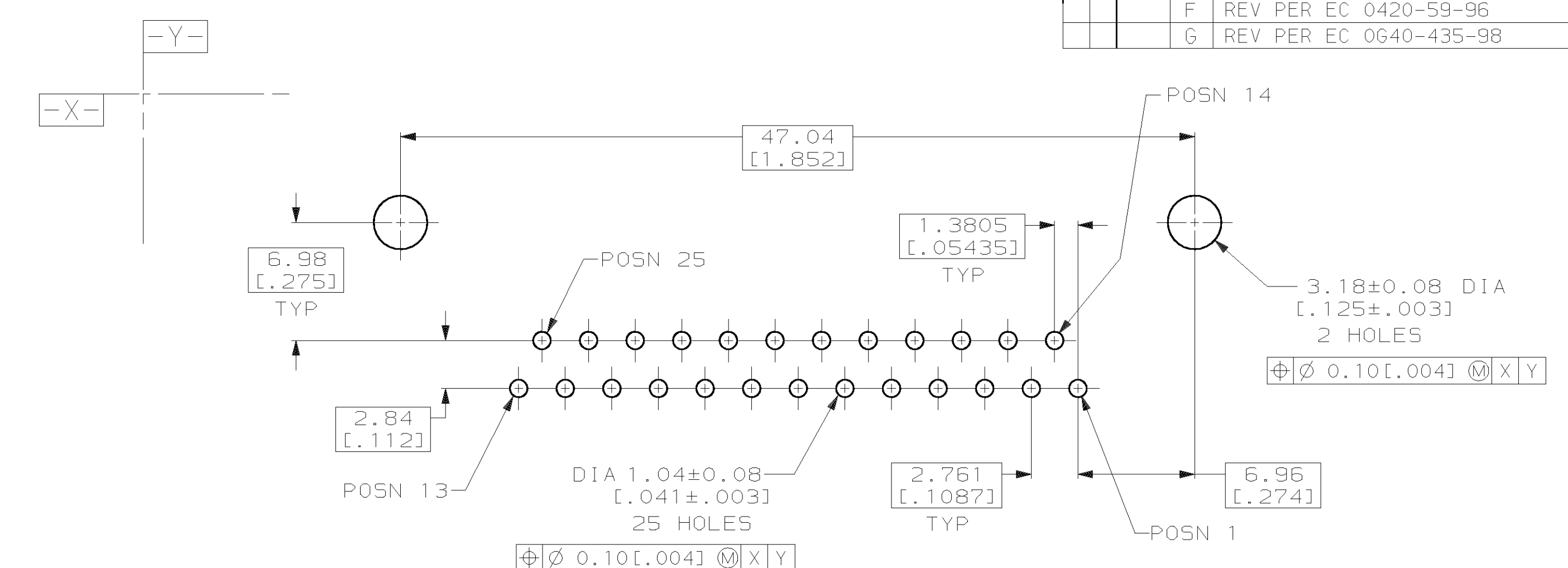
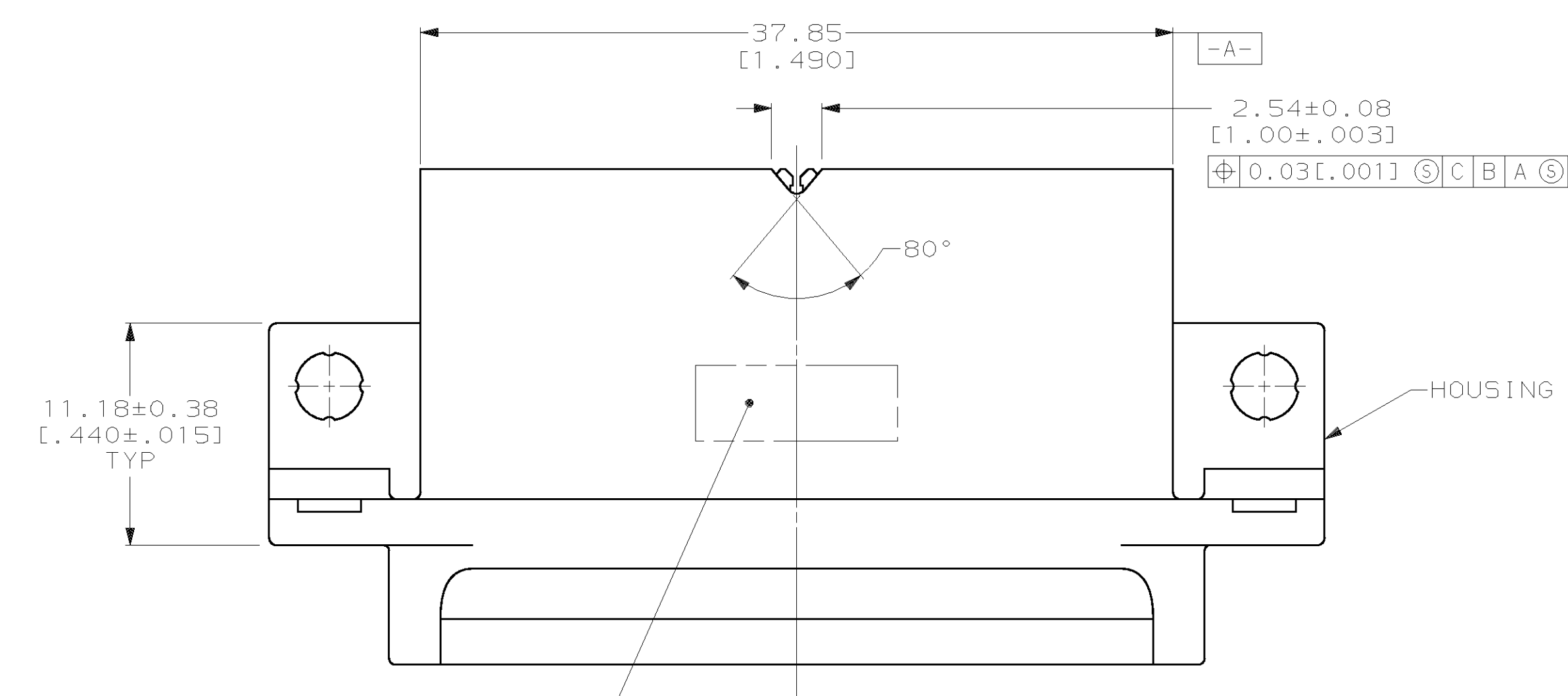


REV. NO.		DATE	DESCRIPTION	BY	CHK	APPD
E	REV PER EC	0020-1053-95				RLT
F	REV PER EC	0420-59-96				RT
G	REV PER EC	0640-435-98				RT



- ① POSITION TOLERANCE APPLIES AT TIP ONLY.
- ② NYLON OR POLYESTER, UL94V-0, BLACK.
- ③ BRASS PER MIL-C-50
- ④ GOLD PLATING PER MIL-G-45204, NICKEL PLATING PER QQ-N-290, TIN PLATING PER MIL-T-10727.
- ⑤ GOLD PLATED FOR A LENGTH OF 3.81 [.150] MIN FROM MATING END, 0.76µm [.000030] MIN GOLD IN MATED AREA. 3.05µm [.000120] MIN TIN-LEAD FOR A LENGTH OF 3.68 [.145] MIN FROM OPPOSITE END, BOTH OVER 1.27µm [.000050] MIN NICKEL.
- ⑥ GOLD PLATED FOR A LENGTH OF 3.81 [.150] MIN FROM MATING END, GOLD FLASH IN MATED AREA. 3.05µm [.000120] MIN TIN-LEAD FOR A LENGTH OF 3.68 [.145] MIN FROM OPPOSITE END, BOTH OVER 1.27µm [.000050] MIN NICKEL.

DO NOT SCALE PRINT. UNLESS SPECIFIED DIMENSIONS IN mm [INCHES] TOLERANCES ON:		DR 02/16/90 S.WELDON		748826-2	
2 PLC DEC ± 0.13 [0.05]		CHK 3-6-90 R.STONE		748826-1	
3 PLC DEC ± -		APPD 3-8-90 J.SWAIN		CONTACT FINISH PART NO	
ANGLES ± 2°		APPD 3-8-90 C.ROHDE		AMP INCORPORATED Harrisburg, Pa. 17105	
MATERIAL HOUSING: ② CONTACTS: ③		PRODUCT SPEC 108-1226		NAME	
FINISH ④ CONTACTS: SEE TABLE		APPLICATION SPEC 114-40027		PLUG ASSEMBLY, SIZE 3, 25 POSN, ALL PLASTIC, RIGHT ANGLE, .590 SERIES, AMPLIMITE® III	
SIZE D		CAGE CODE 00779		DRAWING NO 748826	
SCALE 4:1		WEIGHT -		SHEET 1 OF 1	

## X-ON Electronics

Largest Supplier of Electrical and Electronic Components

*Click to view similar products for [D-Sub Standard Connectors](#) category:*

*Click to view products by [TE Connectivity](#) manufacturer:*

Other Similar products are found below :

[DCM37S732N](#) [DAM15P500](#) [DEV09S364GTLF](#) [DEM09P032N](#) [DDM50P732N](#) [DAM15S332N](#) [173109-2218](#) [173109-2466](#) [173109-2436](#)  
[173109-2435](#) [56F706-005-LI](#) [56F711-015](#) [015-0341-000](#) [015-0372-008](#) [015-8544-011](#) [017041-0005](#) [020419-0104](#) [012-0515-000](#) [012-9507-](#)  
[034](#) [012-9507-114](#) [012-9534-001](#) [020745-0008](#) [609-25P](#) [M24308/2-23Z](#) [M243082310F](#) [M243082410F](#) [M243082411F](#) [M24308/4-21](#)  
[CT1A18-11PSA206](#) [CT1N36-5SC](#) [CT2-16S-17PS](#) [CT2-20-15PCAU](#) [CT2-24-12PS](#) [CT2-24-28PSF127A206](#) [CT2-32-9PC](#) [CT6F9767-14-4-](#)  
[14S-5PC](#) [CT6FA10SL-4PS](#) [CT7-18-10SC](#) [CT7-18-10SCAU](#) [CT7-18-12SCAU](#) [CT7-18-1PC](#) [CT7-18-1PCAU](#) [CT7-18-21SCAU](#) [M83513/01-](#)  
[FC](#) [M83723/76W24619 L/C](#) [M85049/48-3-2F](#) [69001-865](#) [6STD09PCM99B70X](#) [6STD09SCM99B30X](#) [6STD09SCT99S40X](#)